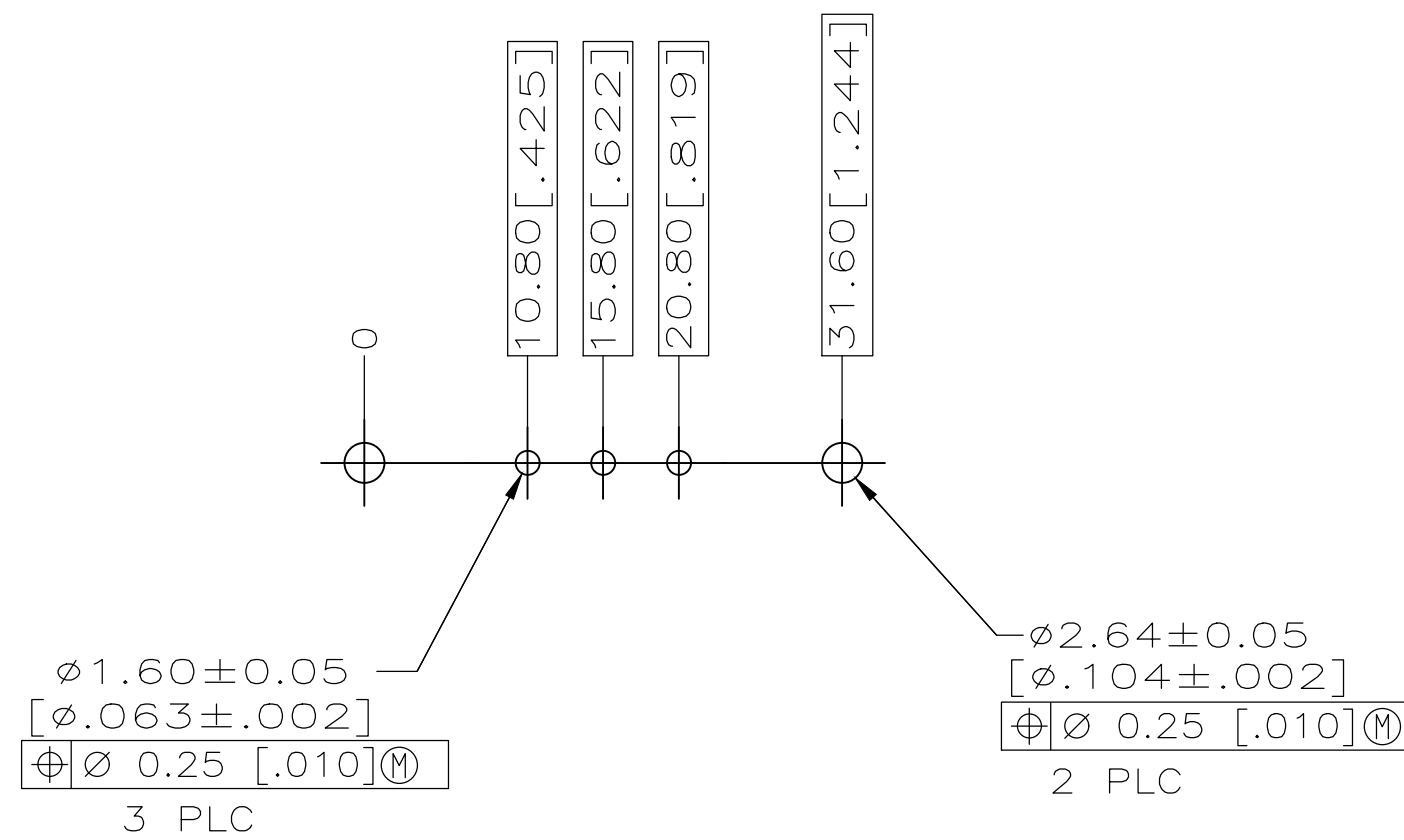
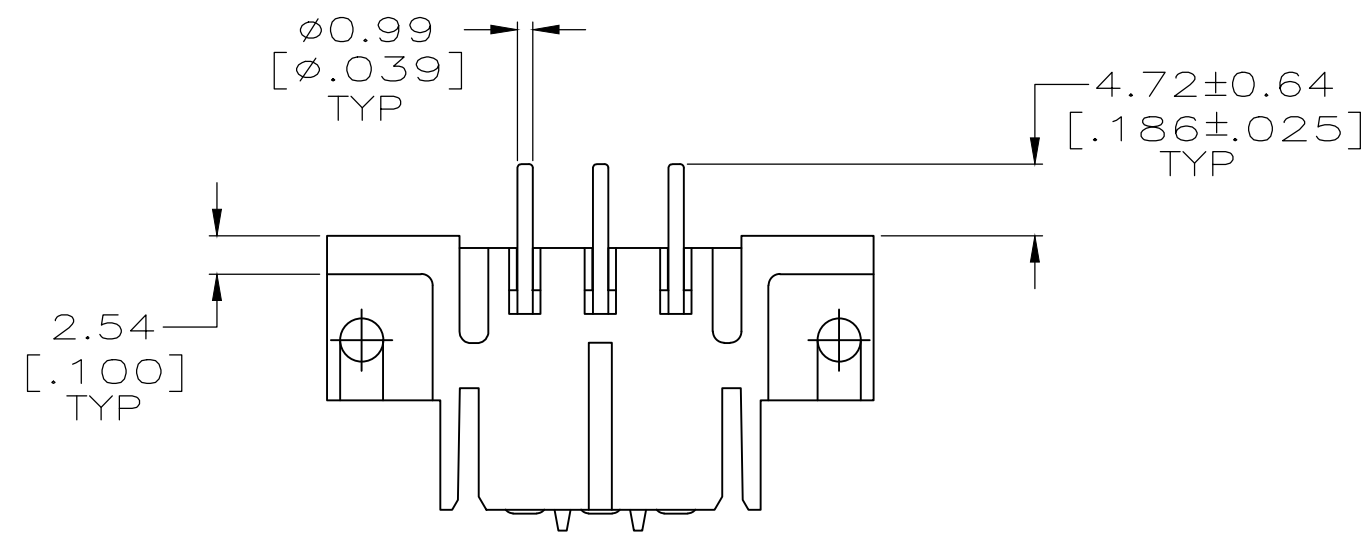
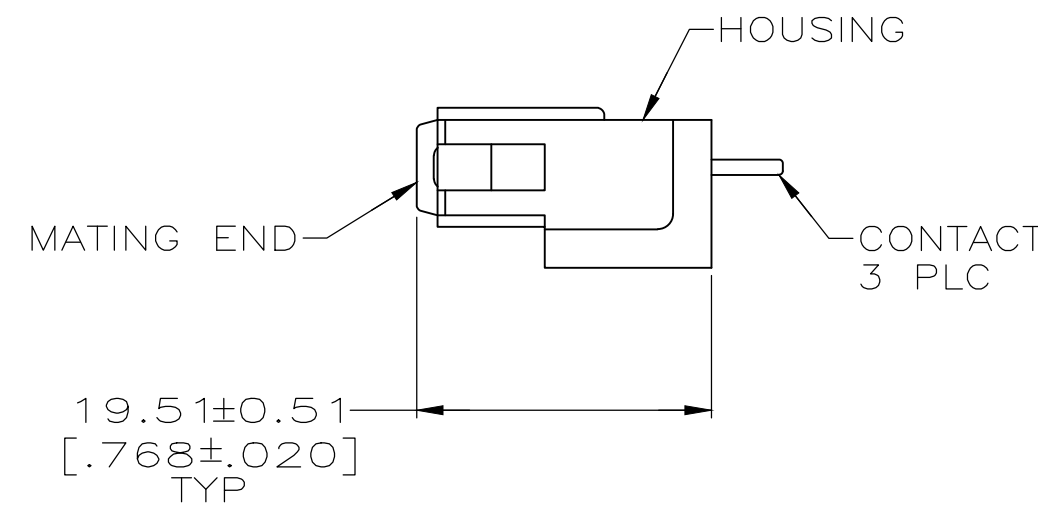
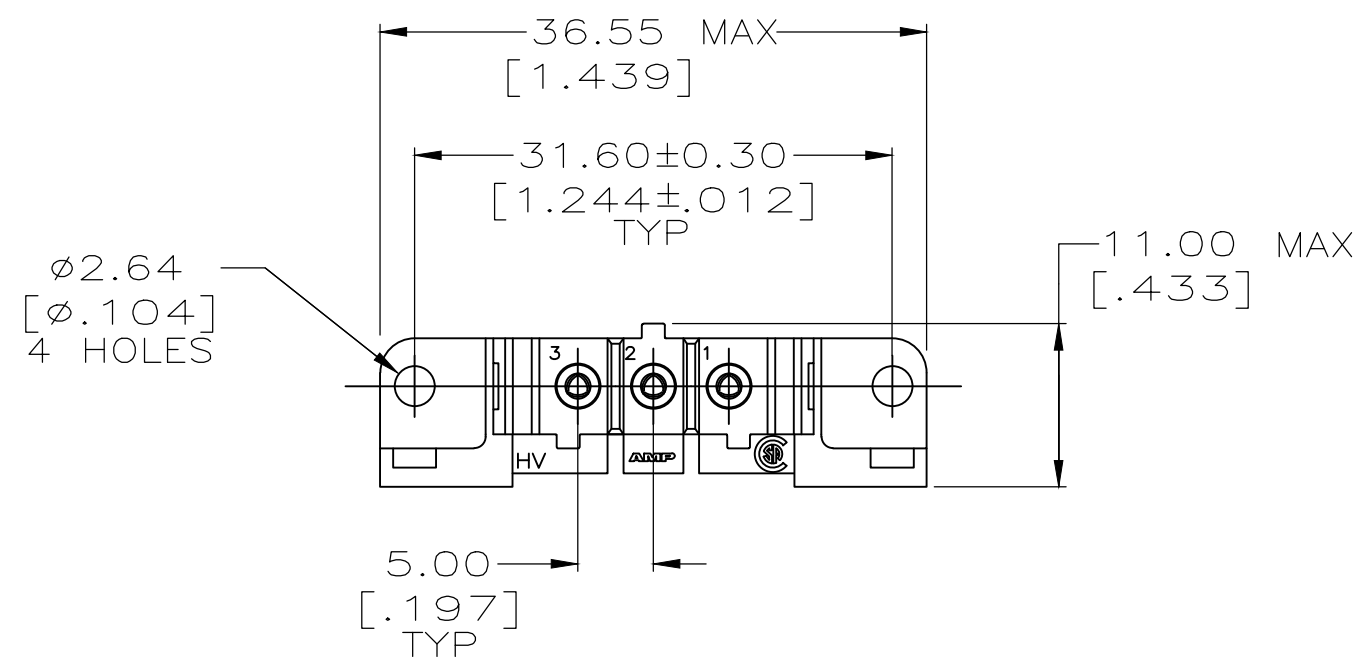


THIS DRAWING IS UNPUBLISHED. RELEASED FOR PUBLICATION
 © COPYRIGHT - By - ALL RIGHTS RESERVED.

REVISIONS					
P	LTR	DESCRIPTION	DATE	DWN	APVD
K		REVISED PER ECO-18-000443	23JAN2018	RS	MZ
L		REVISED PER ECO-20-001564	05FEB2020	SG	MZ



RECOMMENDED PC BOARD LAYOUT



① HOUSING MATERIAL: PA66, BLACK, UL 94 V-0 RATED.

② CONTACT HOOD: STAINLESS STEEL
 CONTACT BODY: PHOSPHOR BRONZE

③ 3.81um [.000150] MIN TIN-LEAD OVER 1.27um [.000050] MIN NICKEL.

④ 0.76um [.000030] MIN GOLD FOR A LENGTH OF 5.08 [.200] MIN FROM MATING END, 3.81um [.000150] MIN TIN-LEAD FOR A LENGTH OF 5.36 [.211] MIN FROM OPPOSITE END, BOTH OVER 1.27um [.000050] MIN NICKEL.

⑤ 3.81um [.000150] MIN TIN OVER 1.27um [.000050] MIN NICKEL.

⑥ 0.76um [.000030] MIN GOLD FOR A LENGTH OF 5.08 [.200] MIN FROM MATING END, 3.81um [.000150] MIN TIN FOR A LENGTH OF 5.36 [.211] MIN FROM OPPOSITE END, BOTH OVER 1.27um [.000050] MIN NICKEL.

	⑥	207609-7
	⑤	207609-6
OBSOLETE	④	207609-3
OBSOLETE	③	207609-1
	CONTACT FINISH	PART NO

THIS DRAWING IS A CONTROLLED DOCUMENT.		DWN	L.SIPE	08/07/92	TE Connectivity Ltd.	
DIMENSIONS: mm [INCHES]		CHK	R.STONE	8-25-92		
TOLERANCES UNLESS OTHERWISE SPECIFIED:		APVD	A.TRAVIS	8-25-92	NAME	
0 PLC ± -		PRODUCT SPEC		SOCKET HEADER ASSEMBLY, 3 POSN, IN-LINE, METRIMATE		
1 PLC ± -		APPLICATION SPEC		SIZE		
2 PLC ± 0.25 [.010]		WEIGHT		CAGE CODE		
3 PLC ± -		CUSTOMER DRAWING		DRAWING NO		
4 PLC ± -		SCALE		RESTRICTED TO		
ANGLES ± -		2:1		SHEET		
CONTACTS: SEE TBL		SHEET		REV		
MATERIAL		1 of 1		L		

单击下面可查看定价，库存，交付和生命周期等信息

[>>TE Connectivity\(泰科\)](#)