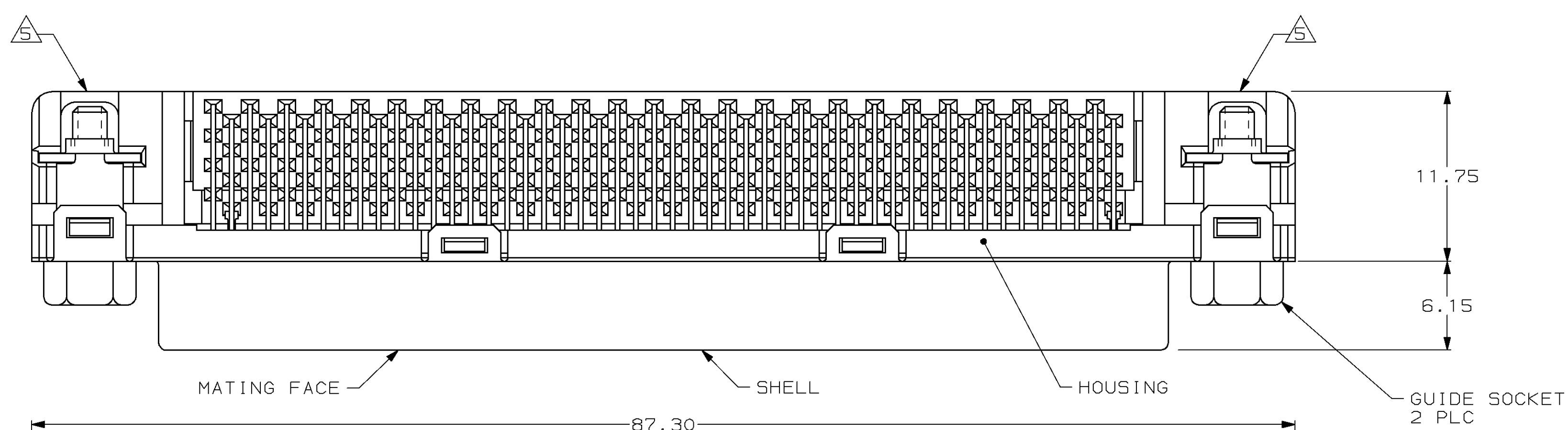
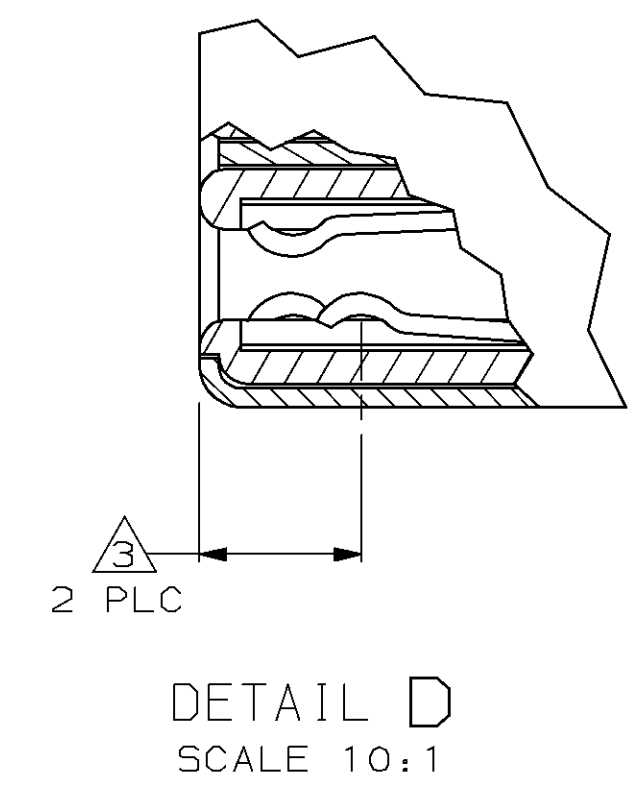
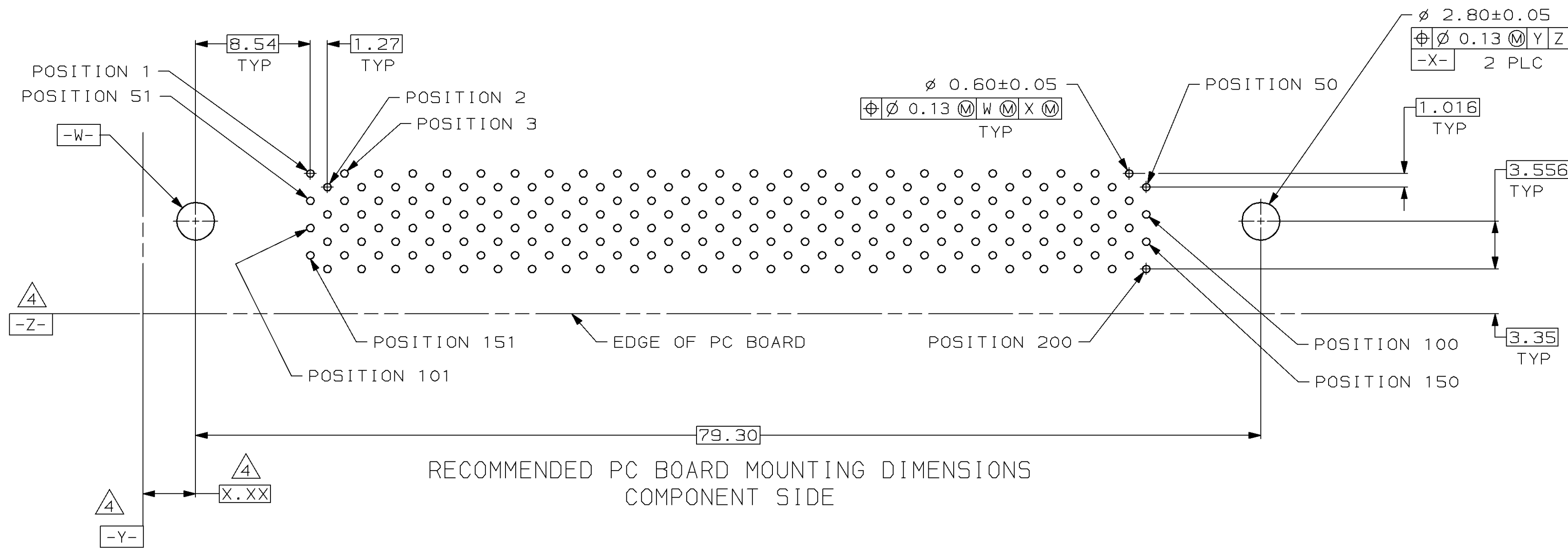
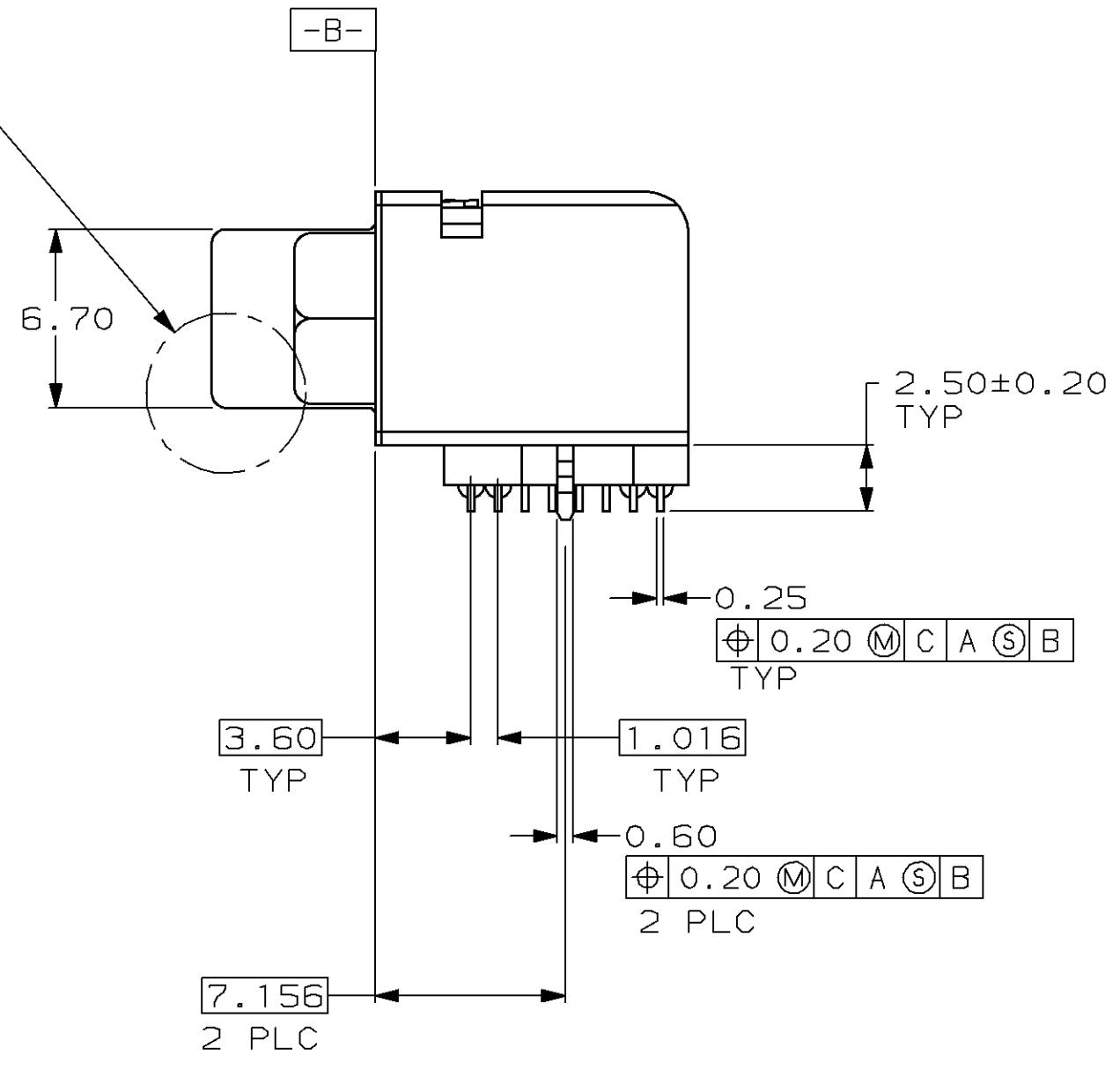
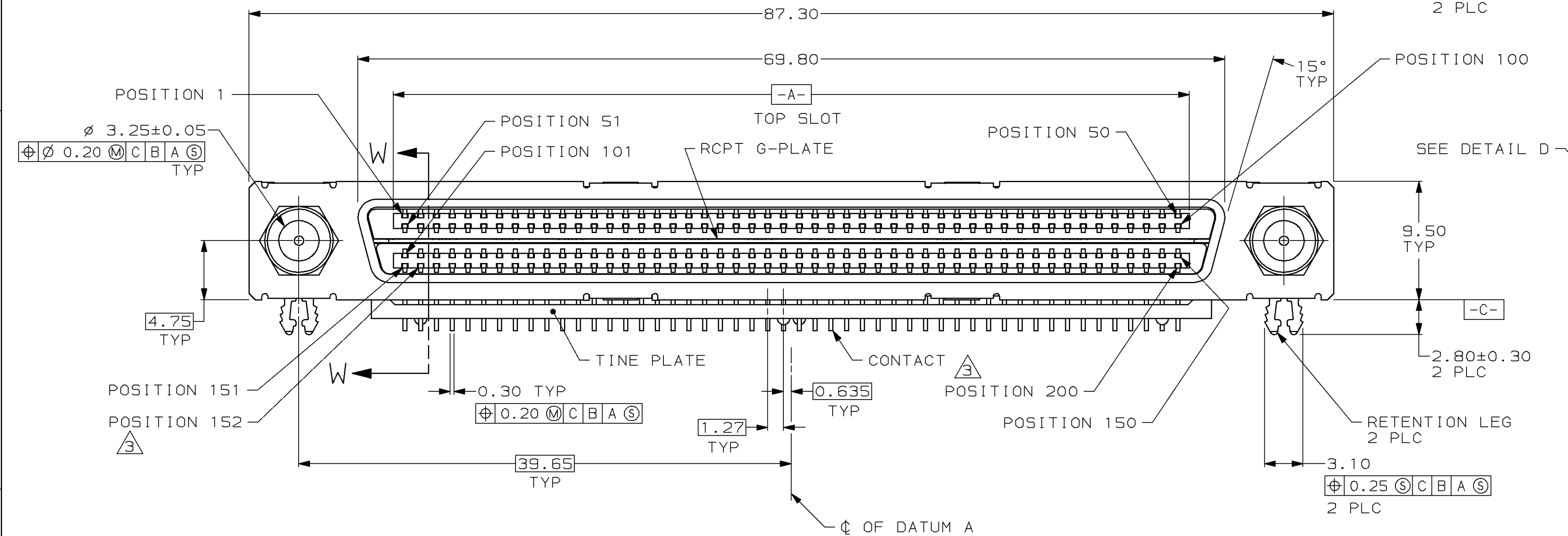


LOC		DIST		REVISIONS			
AR	84	P	LTR	DESCRIPTION	DATE	DMN	APVD
		0		RELEASED PER NPR 5572	01 AUG 96	-	-
		A		REV PER EC 0410-186-97	13 MAY 97	CD	JM
		B		REV PER EC 0410-434-97	11 NOV 97	CD	JM



- ① HOUSING AND TINE PLATE: POLYESTER, NATURAL.  
CONTACTS: PHOSPHOR BRONZE.  
SHELL: CARBON STEEL.  
RCPT G-PLATE: STAINLESS STEEL.  
GUIDE SOCKET AND RETENTION LEG: BRASS.
- ② CONTACTS: 0.76μm MIN GOLD FOR A LENGTH OF 1.10 MIN FROM MATING END,  
2.54 MIN TIN-LEAD FOR A LENGTH OF 2.80 MIN FROM OPPOSITE END,  
BOTH OVER 1.27μm MIN NICKEL.  
SHELL: 3.00μm MIN NICKEL OVER 1.30μm MIN COPPER.  
RETENTION LEG: 2.00μm MIN TIN-LEAD OVER 1.00μm MIN NICKEL.  
GUIDE SOCKET: NICKEL OVER COPPER.
- ③ CONTACTS 152 AND 200, ARE SEQUENCED AWAY FROM MATING FACE.
- ④ DATUMS AND BASIC DIMENSIONS ESTABLISHED BY CUSTOMER.
- ⑤ DATE CODE MAY BE MARKED ON EITHER END.



DETAIL D  
SCALE 10:1

787883-1  
PART NUMBER

THIS DRAWING IS A CONTROLLED DOCUMENT.		DMN C. DORWART	01 AUG 96	<b>AMP</b> AMP Incorporated Harrisburg, PA 17105-3508
DIMENSIONS:		CHK J. MOSIER	02 OCT 96	
TOLERANCES UNLESS OTHERWISE SPECIFIED:		APVD J. MOSIER	02 OCT 96	NAME RECEPTACLE ASSEMBLY, 200 POSITION, RIGHT ANGLE, .050, CHAMP™
0 PLC ±.2		PRODUCT SPEC	-	
1 PLC ±0.25		APPLICATION SPEC	-	SIZE A1
2 PLC ±.25		WEIGHT	-	CAGE CODE 00779
3 PLC ±.25		CUSTOMER DRAWING	-	DRAWING NO 787883
4 PLC ±.25		SCALE	4:1	SHEET
ANGLES ±3°		FINISH	-	REV

单击下面可查看定价，库存，交付和生命周期等信息

[>>TE Connectivity\(泰科\)](#)