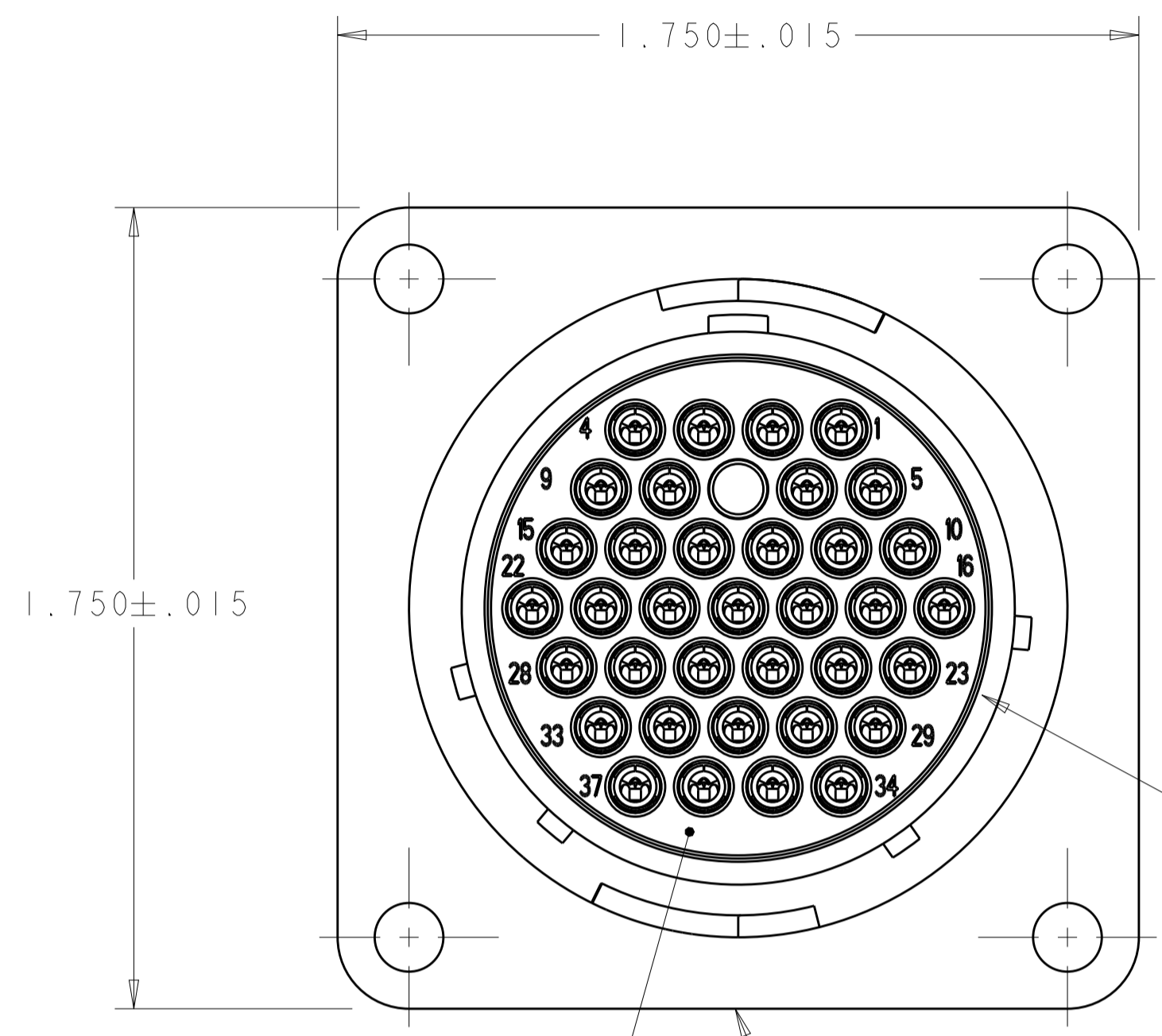
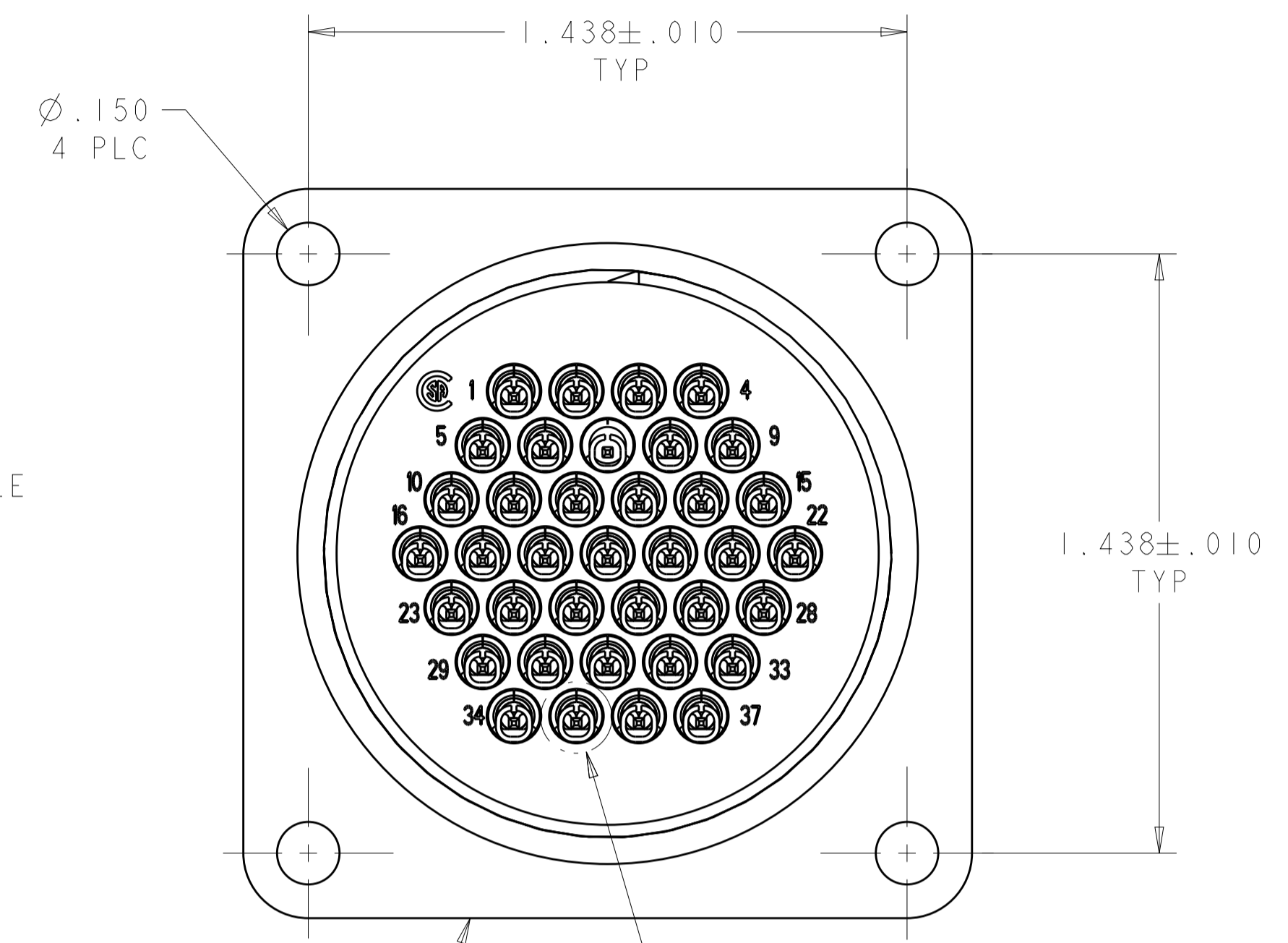
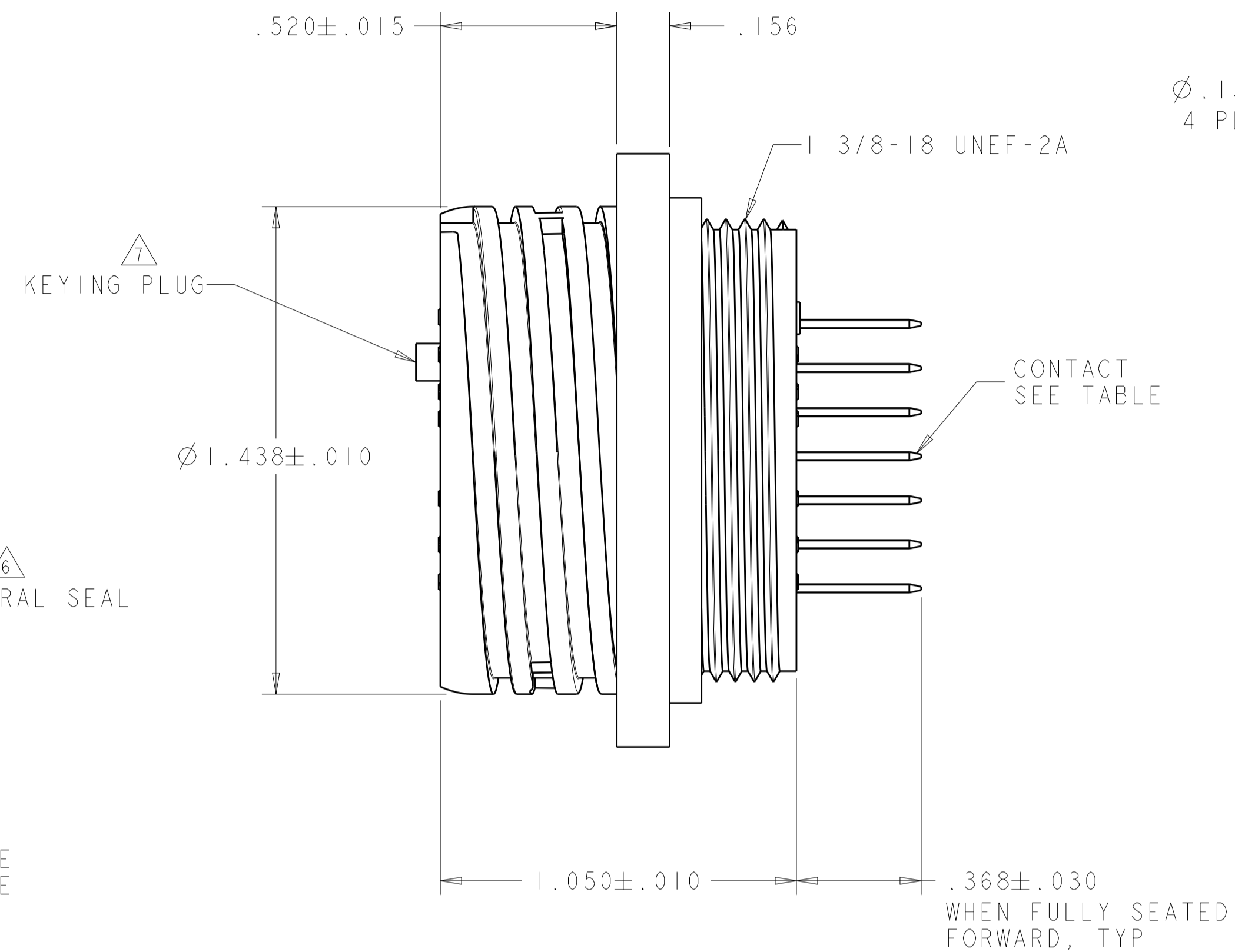


REVISIONS					
P.	LTN	DESCRIPTION	DATE	DWN	APVD
W		REVISED PER ECO-12-015665	26SEP12	KH	MZ
Y		REVISED PER ECO-16-018356	23MAR2017	RS	MZ
Z		REVISED PER ECO-19-011232	07AUG2019	RS	MZ

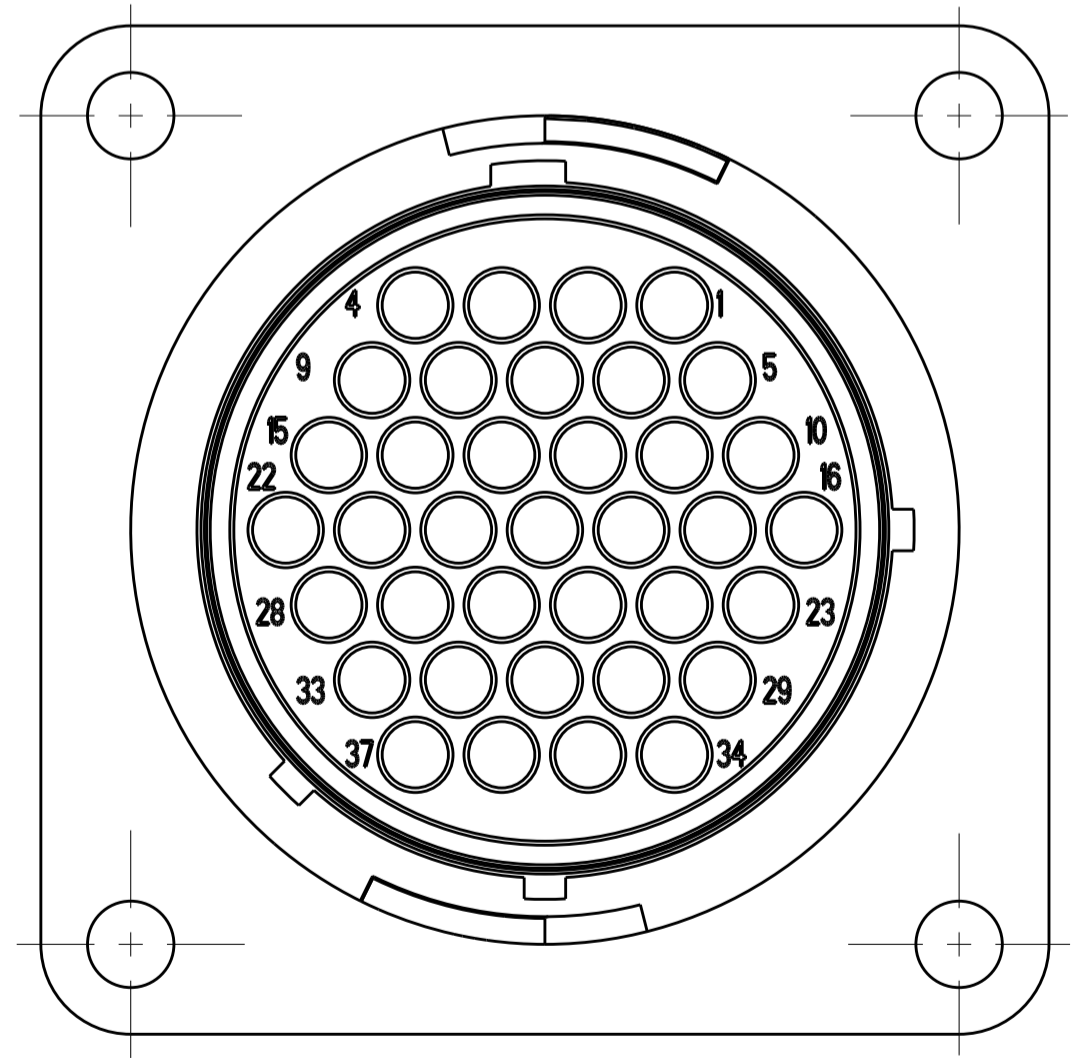


MATING FACE PART NUMBER AND DATE CODE MARKED ON ANY FLANGE EDGE

"A" STYLE KEYING



HOUSING SEE DETAIL V



"B" STYLE KEYING

- △ HOUSING: THERMOPLASTIC, COLOR: BLACK.
- △ CONTACT:
BODY - .000100 MIN TIN-LEAD OVER .000050 MIN NICKEL.
POST - .000100 MIN TIN-LEAD OVER .000050 MIN NICKEL.
- △ CONTACT:
BODY - .000030 MIN GOLD FOR A LENGTH OF .200 MIN FROM MATING END, .000005 MIN GOLD ON REMAINDER ALL OVER .000030 MIN NICKEL.
POST - .000100 MIN TIN-LEAD OVER .000050 MIN NICKEL.
- △ CONTACT:
BODY - .000100 MIN TIN-LEAD OVER .000050 MIN NICKEL.
POST - .000030 MIN GOLD OVER .000050 MIN NICKEL.
- △ CONTACT:
BODY - .000100 MIN TIN OVER .000050 MIN NICKEL.
POST - .000100 MIN TIN OVER .000050 MIN NICKEL.
- △ PERIPHERAL SEAL: ELASTOMER, COLOR: BLACK.
- △ KEYING PLUG: NYLON, COLOR: NATURAL.
- △ .009 MAXIMUM CONTACT LEAD-IN SEAM GAP PERMISSIBLE ON MATING FACE END.
- △ OBSOLETE PARTS: OBSOLETE CIS STREAMLINING PER D.RENAUD/D.SINISI

OBSOLETE	YES	B	POSN 7	△5	1-6,8-37	1-213828-9
	YES	A	-	△5	1-22,29-37	1-213828-8
	YES	A	-	△5	ALL	1-213828-6
	YES	B	POSN 7	△5	1-6,8-37	1-213828-5
	YES	A	-	△5	1-22,29-37	1-213828-4
	YES	A	POSN 15	△5	1-14,16-37	1-213828-3
	YES	B	POSN 7	△2	2-6,8-37	1-213828-2
YES	B	POSN 7	△2	1-6,8-37	1-213828-1	
YES	A	-	△2	1-22,29-37	1-213828-0	
OBSOLETE	YES	A	-	△4	ALL	213828-9
△9 OBSOLETE	YES	B	POSN 7	△2	2-6,8-37	213828-8
OBSOLETE	NO	A	-	△3	1-22,29-37	213828-7
OBSOLETE	NO	B	POSN 7	△3	1-6,8-37	213828-6
OBSOLETE	NO	A	POSN 15	△3	1-14,16-37	213828-5
△9 OBSOLETE	YES	B	POSN 7	△2	1-6,8-37	213828-4
YES	A	POSN 15	△2	1-14,16-37	213828-3	
△9 OBSOLETE	YES	A	-	△2	1-22,29-37	213828-2
△9 OBSOLETE	YES	A	-	△2	ALL	213828-1
	PERIPHERAL SEAL	KEYING STYLE	KEYING PLUG	CONTACT FINISH	SELECT LOADED IN POSITIONS	PART NUMBER

THIS DRAWING IS A CONTROLLED DOCUMENT. DWN S.WELDON 22MAY2003
 CH S.HEADER 22MAY2003
 APVD S.HEADER 22MAY2003

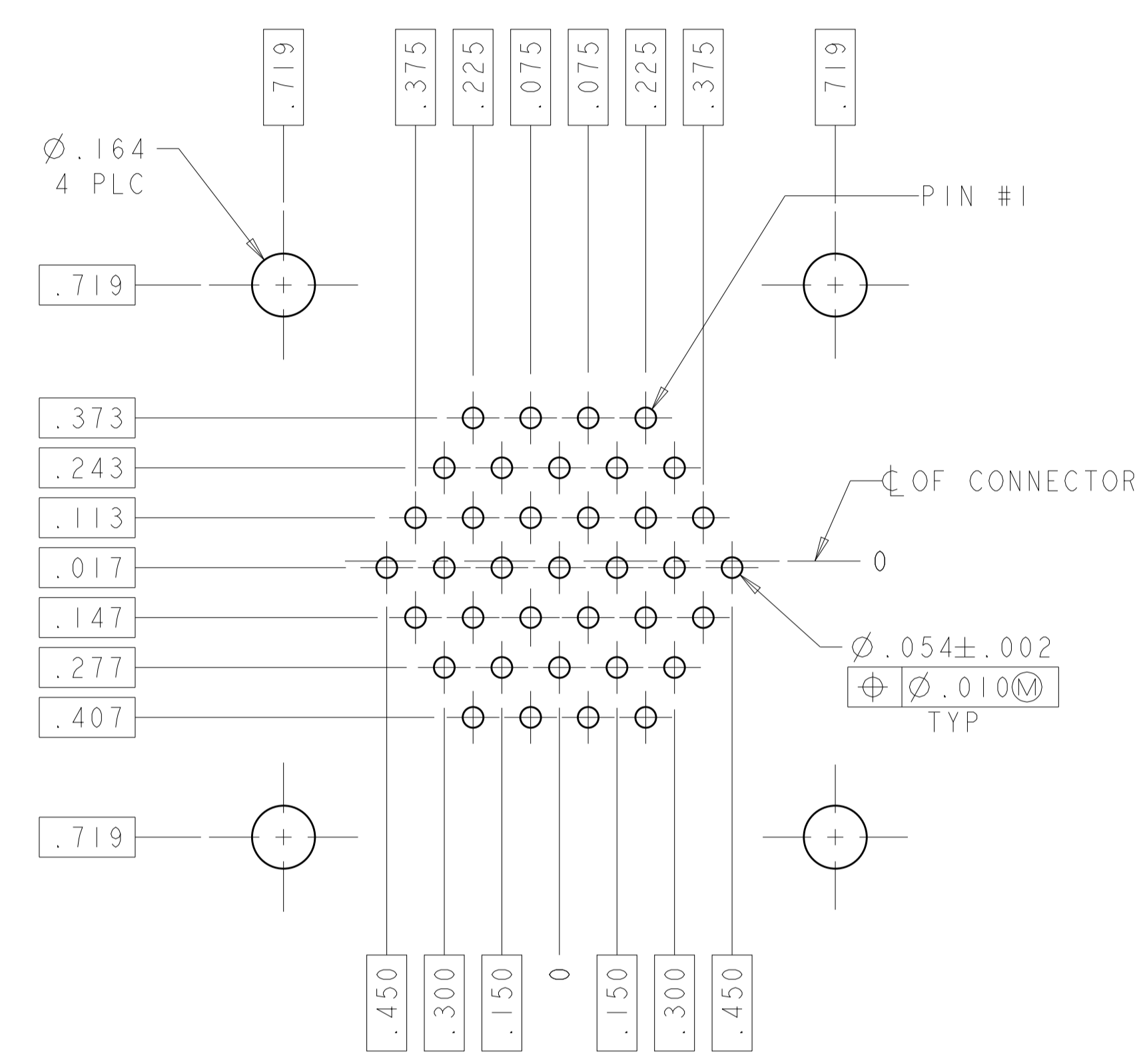
TE Connectivity

NAME RECEPTACLE ASSEMBLY, POSTED, REVERSE SEX, SERIES 1, 23-37, CPC

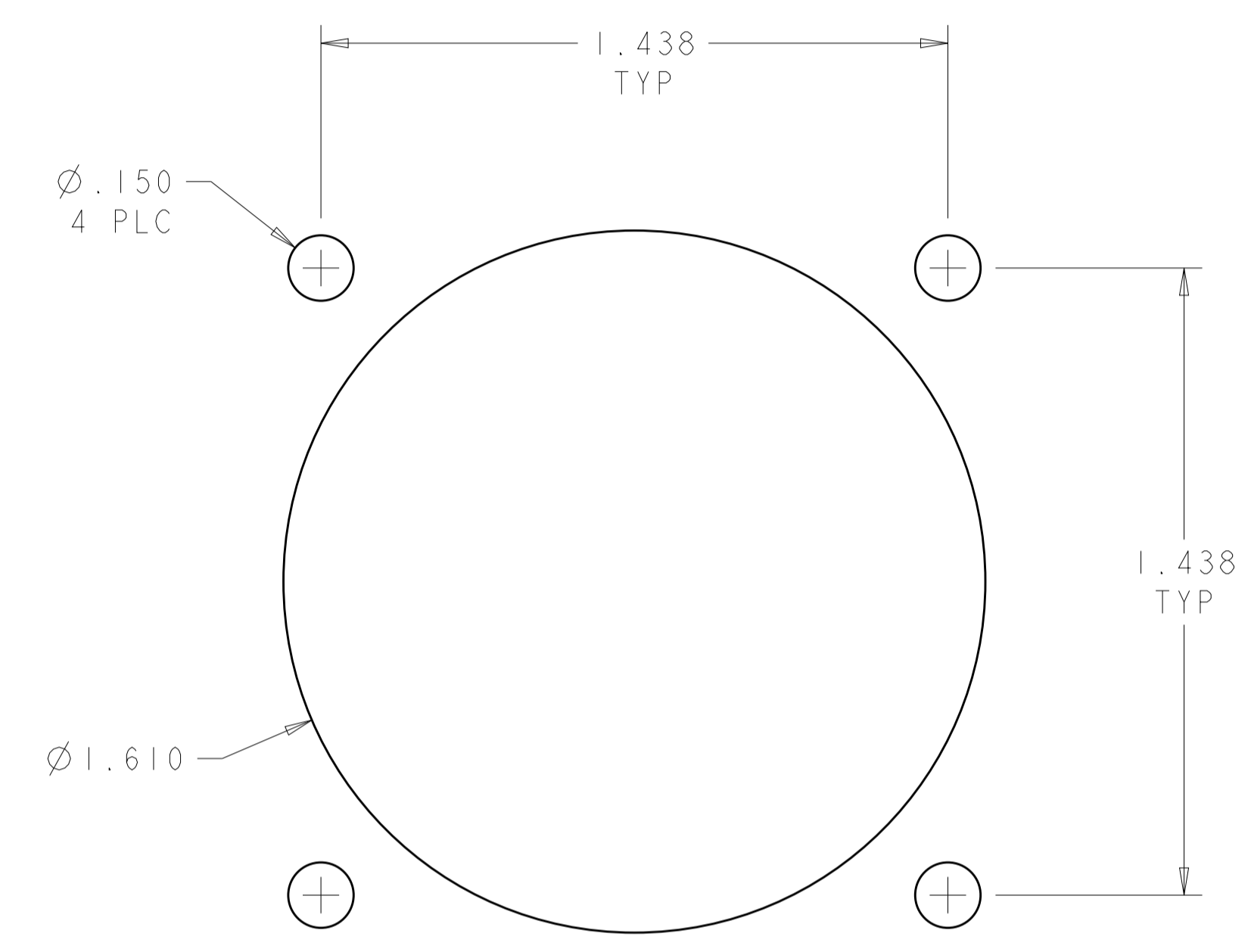
SIZE CAGE CODE DRAWING NO RESTRICTED TO
 A100779C=213828

CUSTOMER DRAWING SCALE 3:1 SHEET 1 OF 2 REV Z

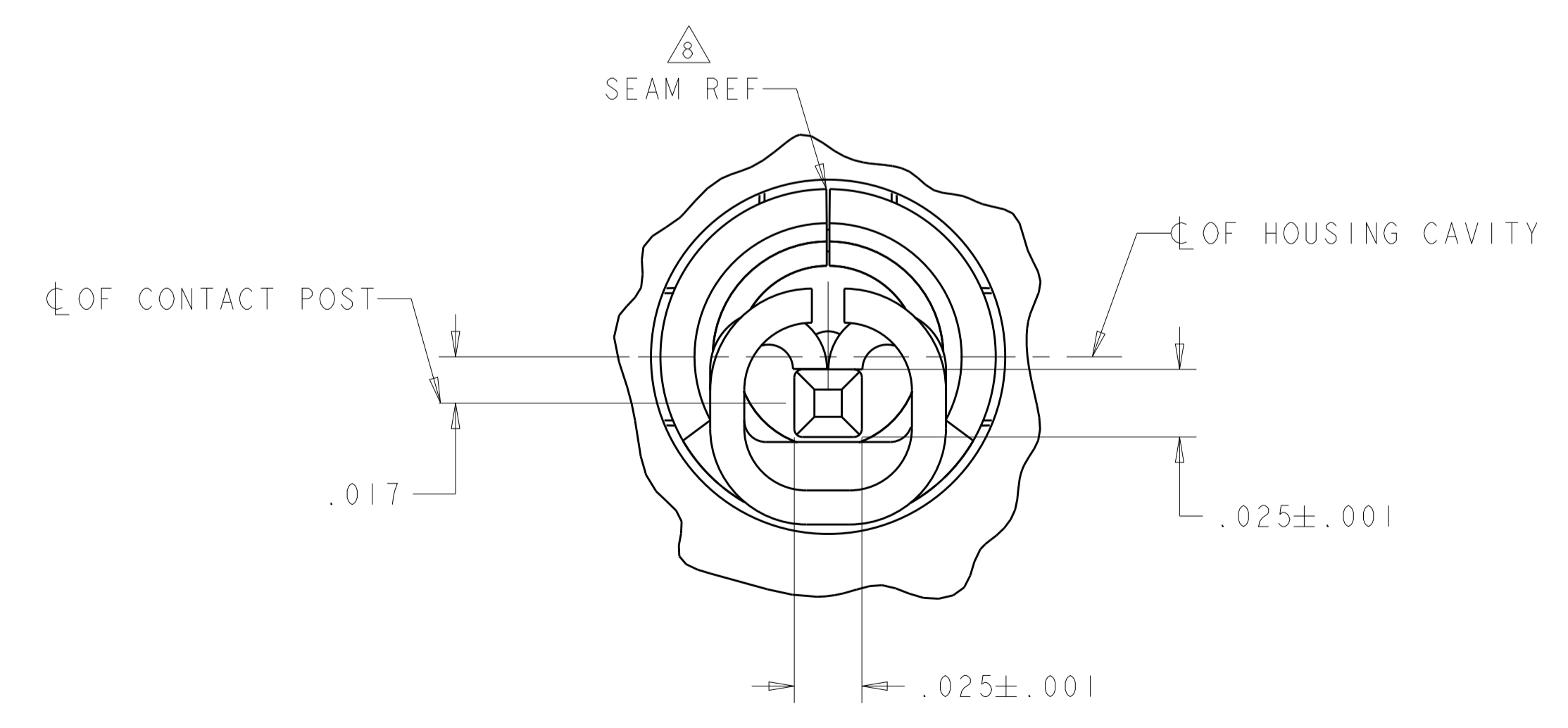
REVISIONS				
P.	LTN	DESCRIPTION	DATE	APVD
-	-	SEE SHEET 1	-	-



RECOMMENDED PC BOARD LAYOUT



RECOMMENDED PANEL CUTOUT
 .125 MAX PANEL THICKNESS



DETAIL V
 SCALE 20:1

THIS DRAWING IS A CONTROLLED DOCUMENT.		DWN: S. WELDON 22MAY2003	TE Connectivity
DIMENSIONS: INCHES		CHK: S. HEADER 22MAY2003	
TOLERANCES UNLESS OTHERWISE SPECIFIED: 0 PLC $\pm .0$ 1 PLC ± 0.0 2 PLC ± 0.00 3 PLC ± 0.010 4 PLC ± 0.0000 ANGLES $\pm .$		APVD: S. HEADER 22MAY2003	NAME: RECEPTACLE ASSEMBLY, POSTED, REVERSE SEX, SERIES 1, 23-37, CPC
MATERIAL: -		PRODUCT SPEC: 108-10024	SIZE: A100779
FINISH: -		APPLICATION SPEC: 114-10004	CAGE CODE: C=213828
CUSTOMER DRAWING		WEIGHT: -	RESTRICTED TO: -
SCALE: 3:1		SHEET: 2 OF 2	REV: Z

单击下面可查看定价，库存，交付和生命周期等信息

[>>TE Connectivity\(泰科\)](#)