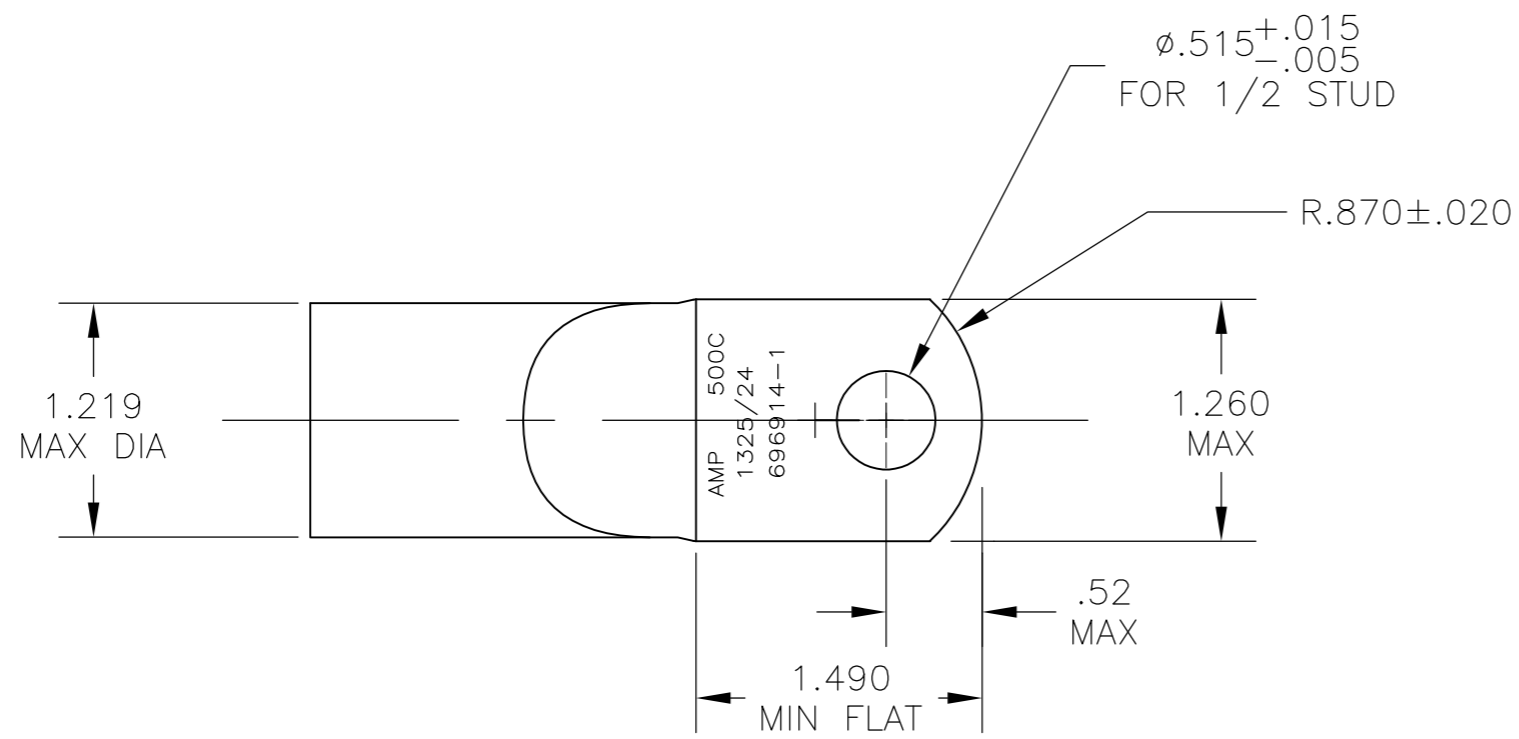
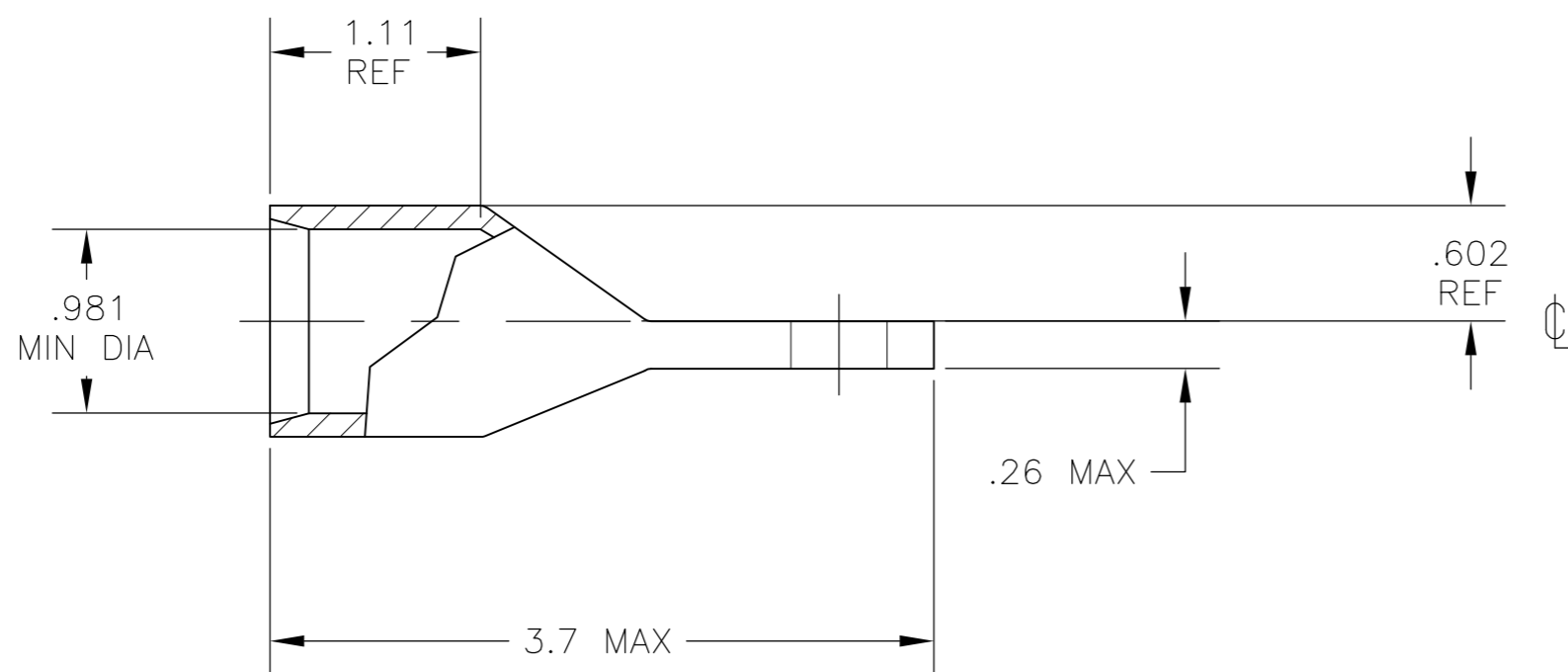


THIS DRAWING IS UNPUBLISHED. RELEASED FOR PUBLICATION
 © COPYRIGHT BY TYCO ELECTRONICS CORPORATION. ALL RIGHTS RESERVED.

LOC	DIST	REVISIONS			JR/MS
P	LTR	DESCRIPTION	DATE	DWN	APVD
G	86	A	REL PER ECR 08-004692	28FEB08	JR RL



- ① TIN PL .000150 MIN THK PER ASTM B-545
- ② CIRCULAR MIL RANGE: 450-550 MCM
- ③ COPPER PER ASTM B-75, ANNEALED
- ④ PREPRODUCTION - FASR REQUIRED



④ 696914-1
 PART NO.

THIS DRAWING IS A CONTROLLED DOCUMENT.		DWN JR RUTH 07DEC05	Tyco Electronics Corporation Harrisburg, PA 17105-3608	
DIMENSIONS: INCHES		CHK MJ SPICER 07DEC05	NAME TERMINAL, AMPPOWER, WIRE SIZE: 253.0mm[500]MCM	
TOLERANCES UNLESS OTHERWISE SPECIFIED:		APVD MJ SPICER 07DEC05	SIZE A2	CAGE CODE 00779
0 PLC ± -		PRODUCT SPEC	DRAWING NO C=696914	RESTRICTED TO
1 PLC ± -		APPLICATION SPEC	SCALE 1:1	SHEET 1 of 1
2 PLC ± .020		WEIGHT	REV A	
3 PLC ± -		CUSTOMER DRAWING		
4 PLC ± -				
ANGLES ± -				
FINISH				
③				
①				

696914

单击下面可查看定价，库存，交付和生命周期等信息

[>>TE Connectivity\(泰科\)](#)