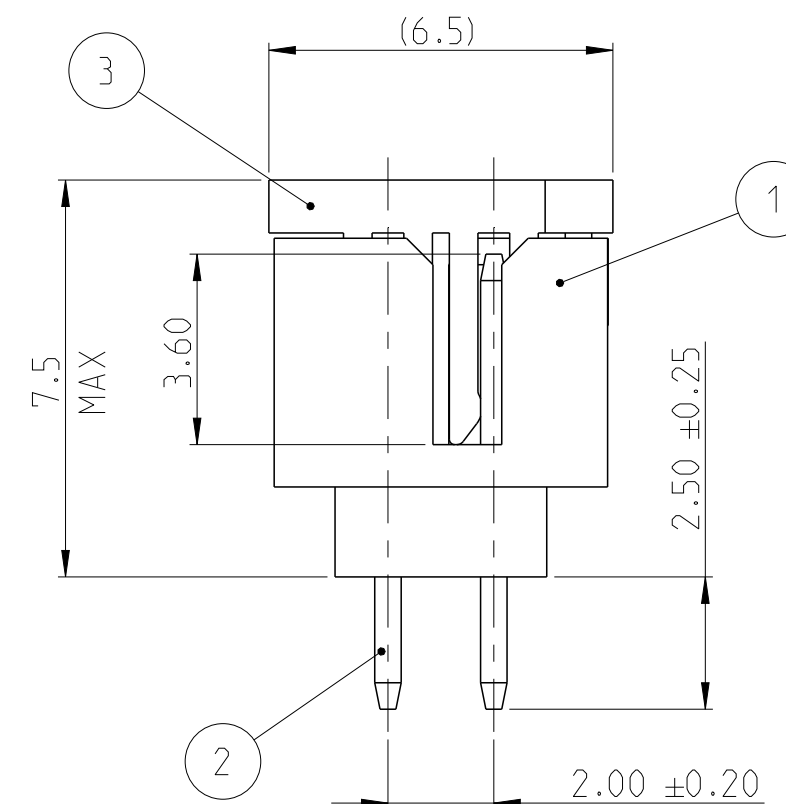
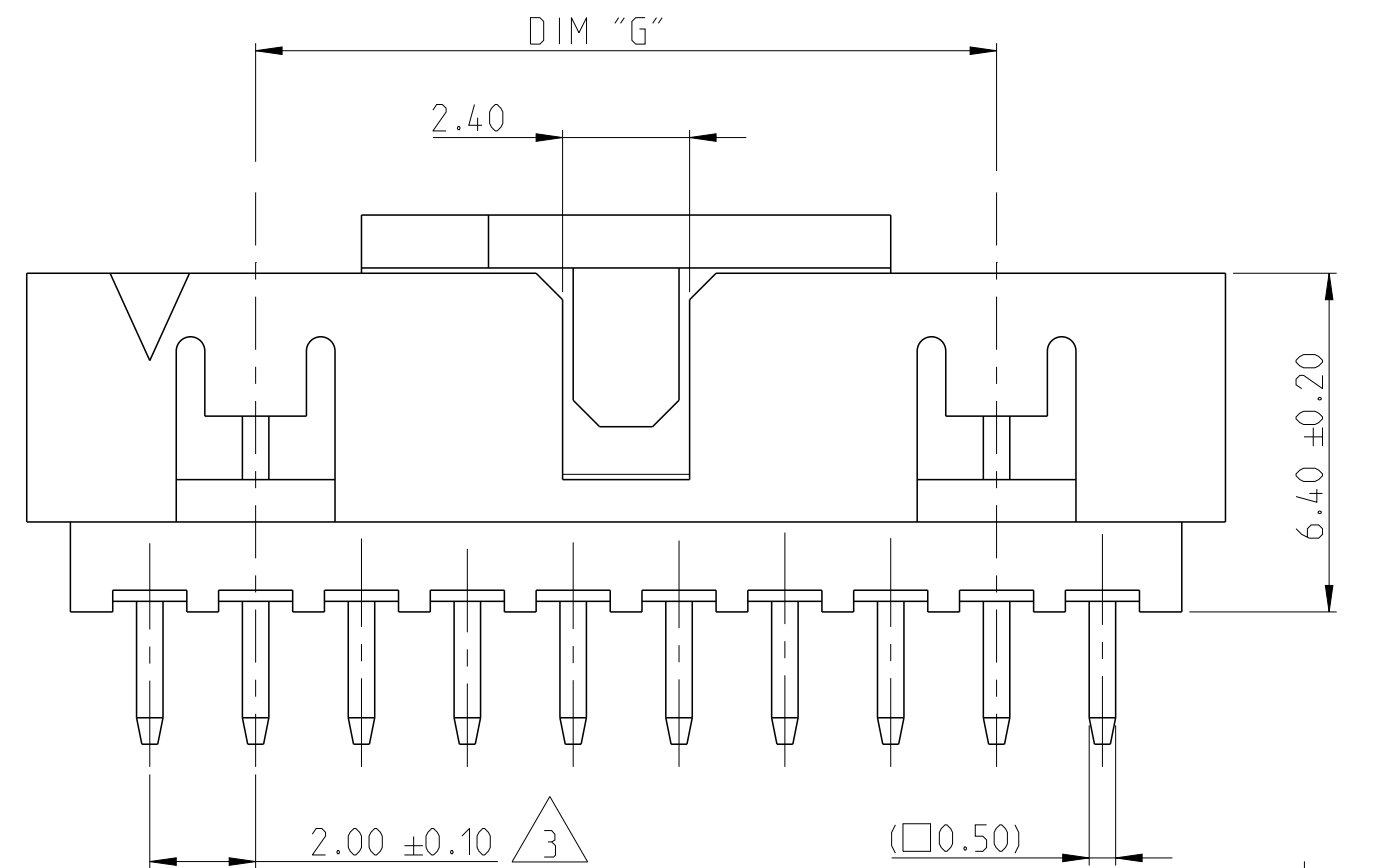
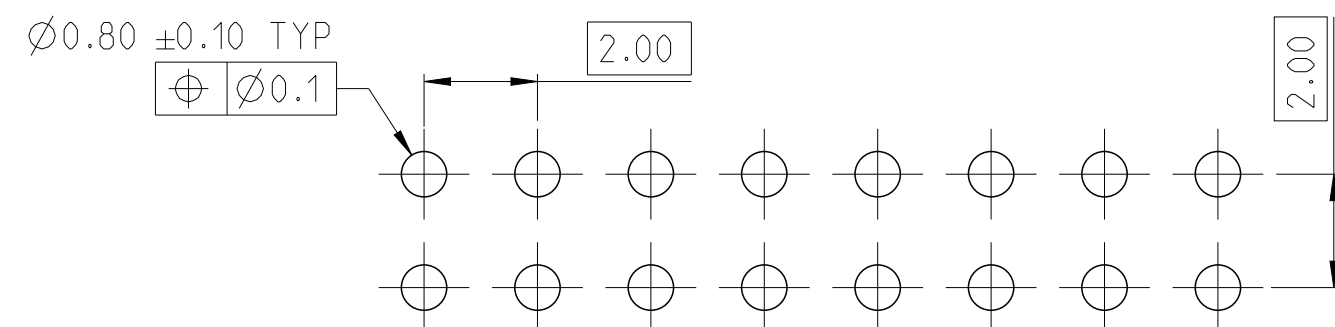
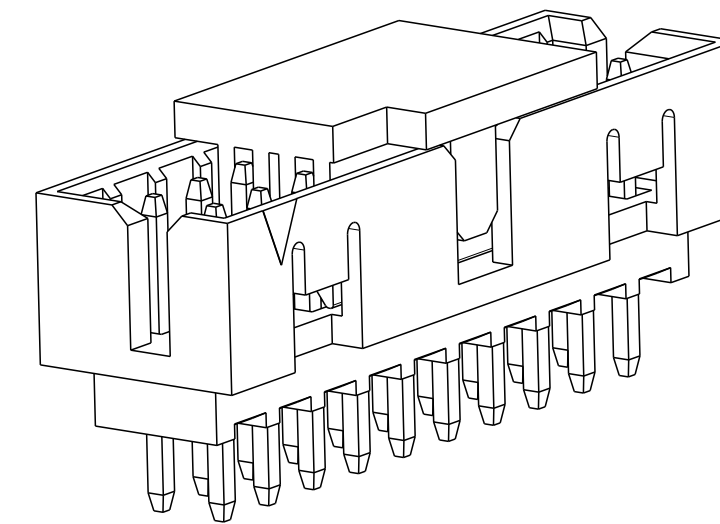
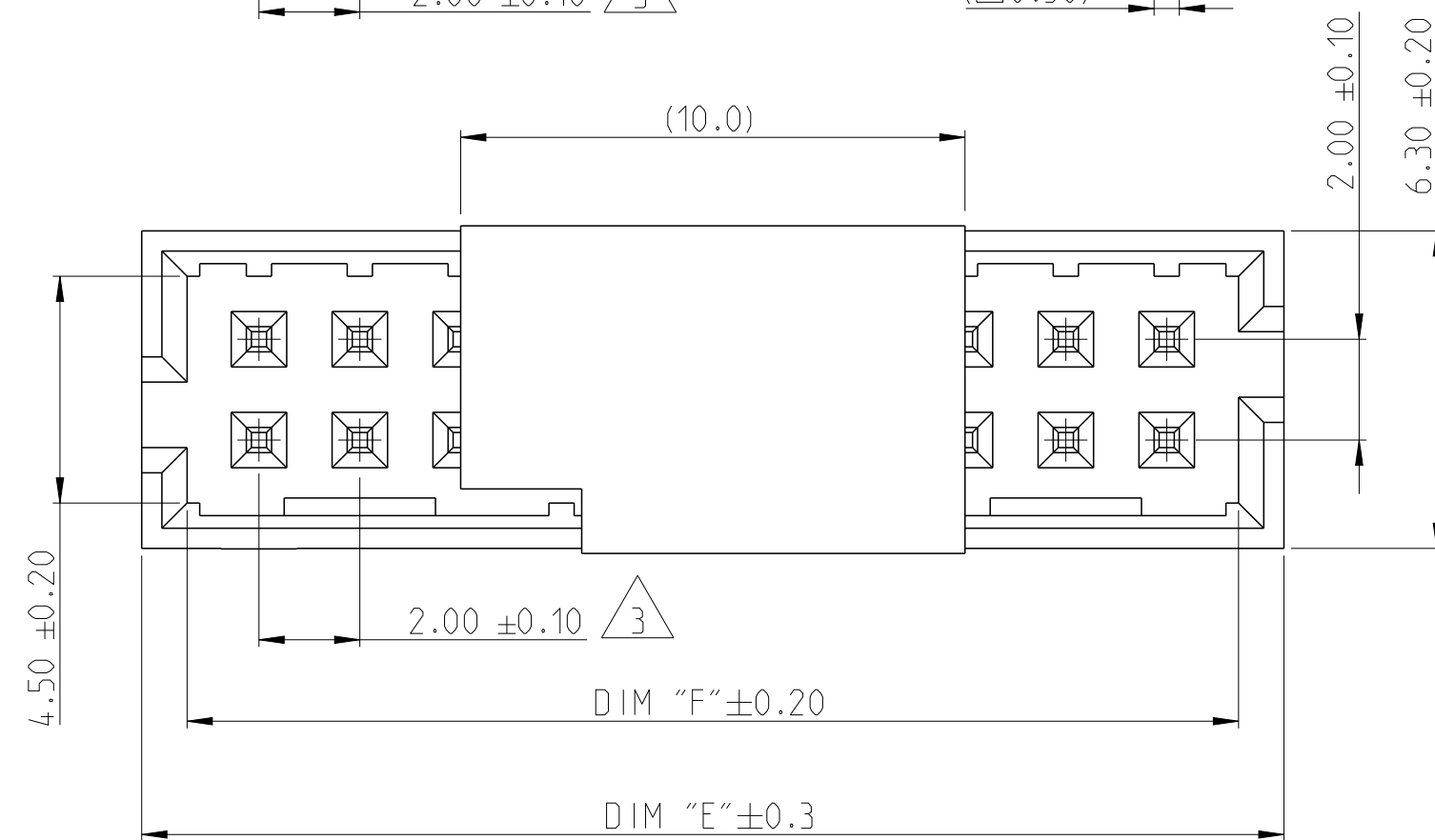


REVISIONS				
P	LTR	DESCRIPTION	DATE	APVD
A		RELEASE TO PRODUCTION	09DEC2019	AY PS

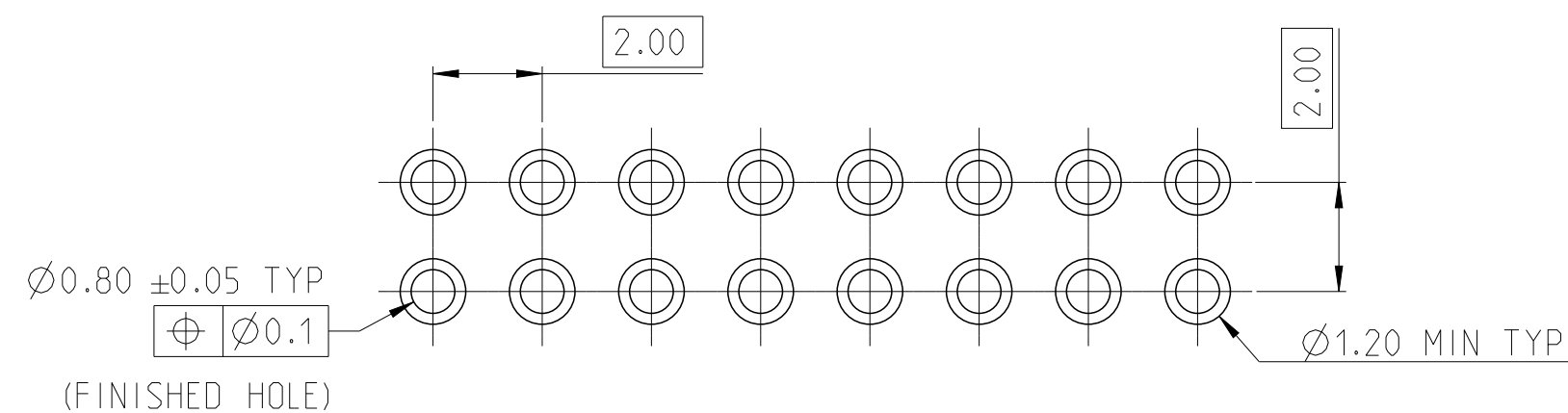


NOTES:

- MATERIAL
HOUSING & P&P CAP : HIGH TEMPERATURE THERMOPLASTIC, UL94-V0; COLOR- BLACK
POST : COPPER ALLOY
FINISH :
MATING SIDE: MIN. 0.38 μm GOLD OVER NICKEL UNDER PLATING.
SOLDER SIDE: MIN. 2.0 μm TIN OVER NICKEL UNDER PLATING.
 - PACKAGING: TUBE (WITH PICK AND PLACE CAP)
- △ TOLERANCE NOT CUMULATIVE.



RECOMMENDED PCB HOLE PATTERN FOR THROUGH HOLE WAVE



RECOMMENDED PCB HOLE PATTERN FOR THROUGH HOLE REFLOW /PIN-IN-PASTE

2-2842303-0 AS SHOWN

44	50.85	52.65	50	5-2842303-0
38	44.85	46.65	44	4-2842303-4
34	40.85	42.65	40	4-2842303-0
28	34.85	36.65	34	3-2842303-4
24	30.85	32.65	30	3-2842303-0
20	26.85	28.65	26	2-2842303-6
18	24.85	26.65	24	2-2842303-4
14	20.85	22.65	20	2-2842303-0
10	16.85	18.65	16	1-2842303-6
8	14.85	16.65	14	1-2842303-4
DIM "G"	DIM "F"	DIM "E"	POS.	TE PN.

PICK AND PLACE CAP		CONTACT PIN		HOUSING		DESCRIPTION		ITEM NO.	
	3		2		1				

DIMENSIONS:		TOLERANCES UNLESS OTHERWISE SPECIFIED:	
mm			
0 PLC	±		
1 PLC	±		
2 PLC	±0.25		
3 PLC	±		
4 PLC	±		
ANGLES	±2°		
FINISH	-		

THIS DRAWING IS A CONTROLLED DOCUMENT.		DWN		12NOV2019	
		ANKIT YADAV			
		CHK		25NOV2019	
		KARTHIK JK			
		APVD		27NOV2019	
		PRASHANTH S.			
		PRODUCT SPEC		108-64040	
		APPLICATION SPEC		114-32259	
		WEIGHT		-	
		CUSTOMER DRAWING			

NAME		APPMODU 2mm SHROUDED HEADER, DUAL ROW, VERTICAL TH. 0.38 Au, TUBE, WITH PICK AND PLACE CAP	
SIZE	A2	CAGE CODE	00779
DRAWING NO	C-2842303		RESTRICTED TO
SCALE	5:1	SHEET	1 OF 1
REV	A		

单击下面可查看定价，库存，交付和生命周期等信息

[>>TE Connectivity\(泰科\)](#)