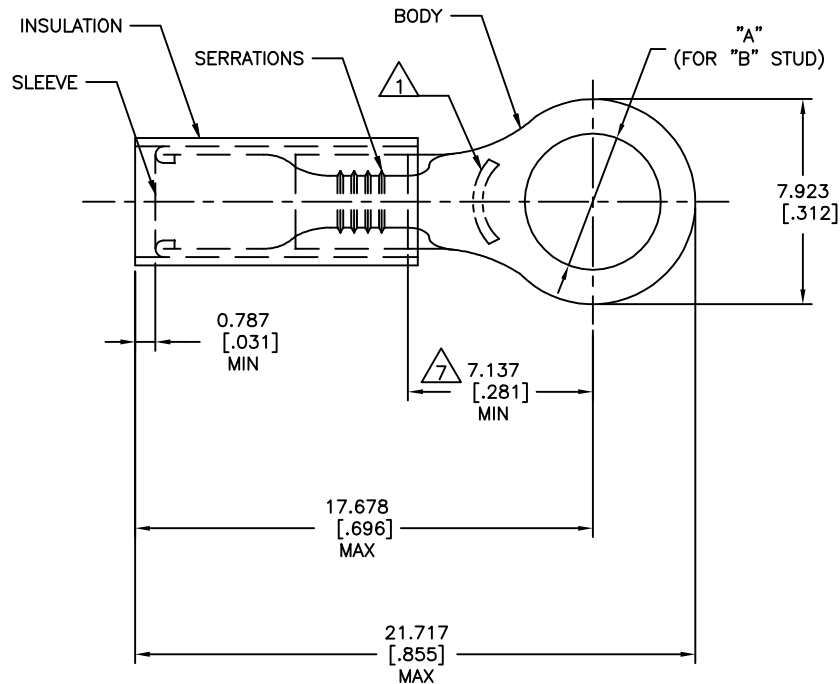


THIS DRAWING IS UNPUBLISHED. RELEASED FOR PUBLICATION
 © COPYRIGHT - By - ALL RIGHTS RESERVED.

REVISIONS				
P	LTR	DESCRIPTION	DATE	DWN APVD
	M2	REVISED PER ECO-15-016493	27NOV2015	NK DR
	M3	REVISED PER ECO-17-016703	29MAR2018	RS DR



- 1 STAMP "AMP 18-16" APPROX AS SHOWN
- 2 FOR 1.397[.055] TO 3.429[.135] WIRE INSULATION DIA.
- 3 BODY MATERIAL THK: 0.787±0.051 [.031±.002]
- 4 BODY: MATERIAL: COPPER ASTM B152
FINISH: NICKEL PL. SAE AMS QQ-N-290
0.0076 [.0003] AVG EXT THK.
- 5 SLEEVE: MATERIAL: COPPER ASTM B152
FINISH: NICKEL PL. SAE AMS QQ-N-290
0.0076 [.0003] AVG EXT THK.
- 6 INSULATION: MATERIAL: PTFE(ASTM D3295)
COLOR: ORANGE
- 7 DIMENSION APPLIES FROM EDGE OF WIRE BARREL TO CENTER OF STUD HOLE
- 8 PACKED 1000 PIECES
- 9 NOTE DELETED
- 10 NOTE DELETED
- 11 NOTE DELETED
- 12 NOTE DELETED

6	#10	5.004±0.008 [.197±.003]	50836-1	8
6	M4[#8]	4.343±0.008 [.171±.003]	50836	8
	"B"	"A"	LOOSE PIECE PART NUMBER	

TEC INCORPORATED CUSTOMER SERVICE SYSTEMS		MAX RECOMMENDED OPERATING TEMPERATURE: 288°C [550° F]	THIS DRAWING IS A CONTROLLED DOCUMENT.		DWN R.GRZYBOWSKI 18SEP09 CHK T.MICHELUTTI 18SEP09 APVD M.PERCHERKE 18SEP09	TE Connectivity Ltd.	
FOR ADDITIONAL PRODUCT INFORMATION OR COPIES OF DRAWINGS AND TECHNICAL DOCUMENTS PRODUCT INFORMATION CENTER 1-800-522-6752	FOR APPLICATION TOOLING ASSISTANCE CENTER 1-800-722-1111	VOLTAGE RATING: 300V MAX	DIMENSIONS: mm [INCHES]	TOLERANCES UNLESS OTHERWISE SPECIFIED: 0 PLC ± - 1 PLC ± - 2 PLC ± - 3 PLC ± 0.127[.005] 4 PLC ± - 4 PLC ANGLES ± -	PRODUCT SPEC APPLICATION SPEC WEIGHT	NAME TERMINAL, PIDG , STRATO-THERM, RING TONGUE, WIRE SIZE: 18-16	
FOR ORDER ENTRY 1-800-526-5142		CIRCULAR MIL AREA: 0.81-1.42mm² [1600-2800] STRANDED WIRE ONLY		MATERIAL 	FINISH 	SIZE A3 CAGE CODE 00779 DRAWING NO C=50836	RESTRICTED TO -
			CUSTOMER DRAWING		SCALE 5:1	SHEET 1 OF 1	REV M3

单击下面可查看定价，库存，交付和生命周期等信息

[>>TE Connectivity\(泰科\)](#)