

THIS DRAWING IS UNPUBLISHED.

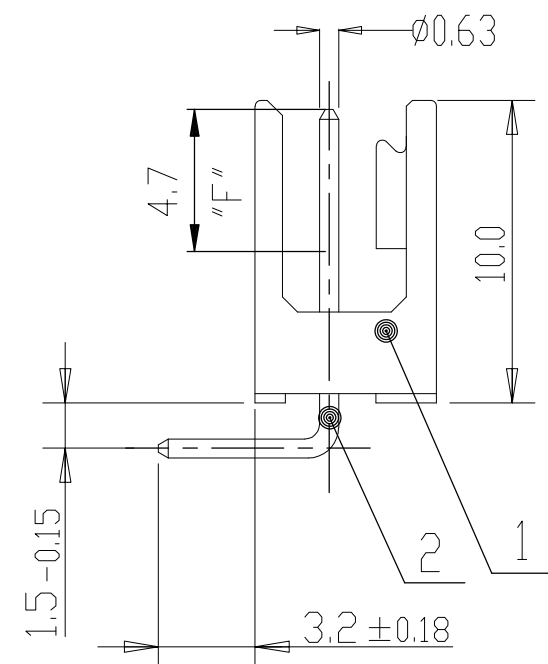
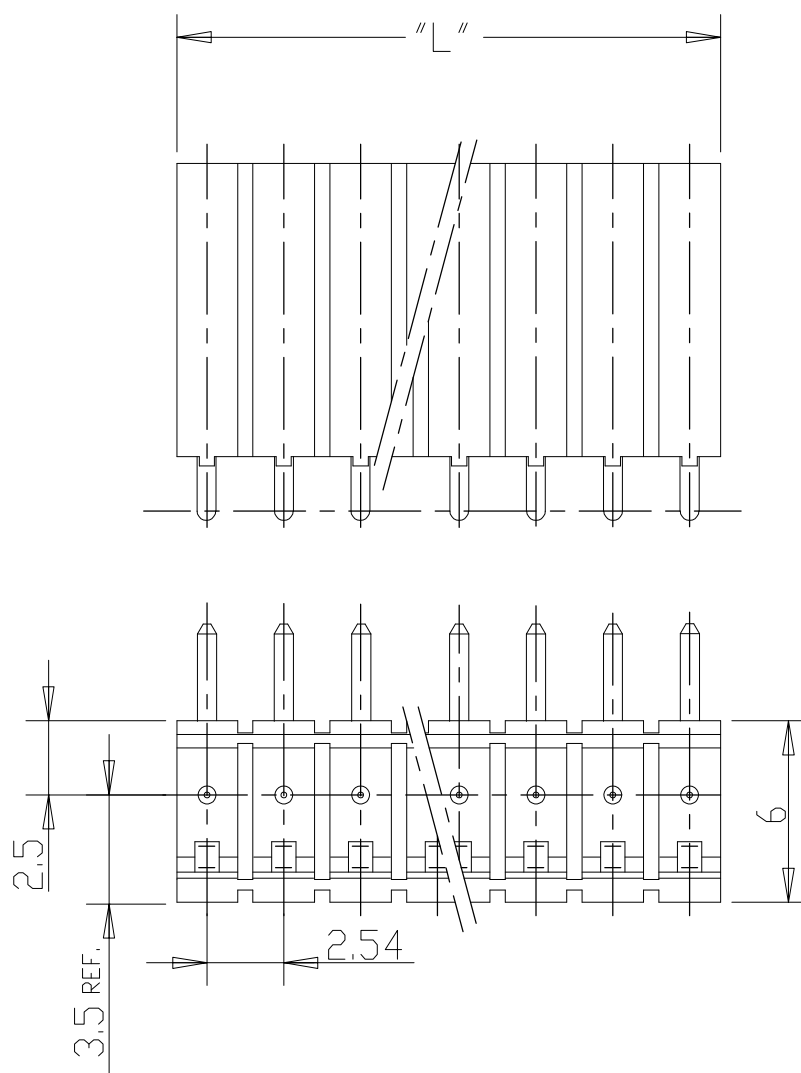
RELEASED FOR PUBLICATION

© COPYRIGHT - By -

ALL RIGHTS RESERVED.


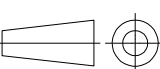
LOC	DIST	REVISIONS					
		P	LTR	DESCRIPTION	DATE	DWN	APVD
-	-	G		PLATING CHANGE TO PdNi +Au FLASH AT AREA F	14MAY2014	KJK	JK

POS. "n"	L±0.4	PART NO.	
2	4.58	0-829 163-2	
3	7.12	0-829 163-3	
4	9.66	0-829 163-4	
5	12.20	0-829 163-5	
7	17.28	0-829 163-7	
8	19.82	0-829 163-8	
10	24.90	1-829 163-0	OBSOLETE



1 MATING SIDE AT CONTACT AREA F
 MIN. 0.7µm PdNi + 0.1µm GOLD FLASH OVER 1.27µm Ni
 SOLDER SIDE: MIN. 3.0µm Sn OVER 1.27µm Ni

2	CONTACT PIN	CuZn	1
1	PIN HOUSING	PA 4/6	BLACK
			PLATING COLOR

VERWENDET FÜR E-87-9401	ITEM NO.	DESCRIPTION	MATERIAL	PLATING COLOR
THIS DRAWING IS A CONTROLLED DOCUMENT.	DWN A.HO 21.03.88	 TE Connectivity AMPMODU II PIN HEADER 90 DEG, SINGLE ROW		
	CHK SCHAARSCHMIDT 21.03.88			
DIMENSIONS: mm	TOLERANCES UNLESS OTHERWISE SPECIFIED: ±0.2mm	PRODUCT SPEC 108-18012	NAME	
	0 PLC ± - 1 PLC ± - 2 PLC ± - 3 PLC ± - 4 PLC ± - ANGLES ± -	APPLICATION SPEC	SIZE	CAGE CODE
MATERIAL SEE TABLE	FINISH SEE TABLE	WEIGHT -	A3	00779
		CUSTOMER DRAWING	DRAWING NO C-829163	RESTRICTED TO
		SCALE 4:1	SHEET 1 OF 1	REV G

单击下面可查看定价，库存，交付和生命周期等信息

[>>TE Connectivity\(泰科\)](#)