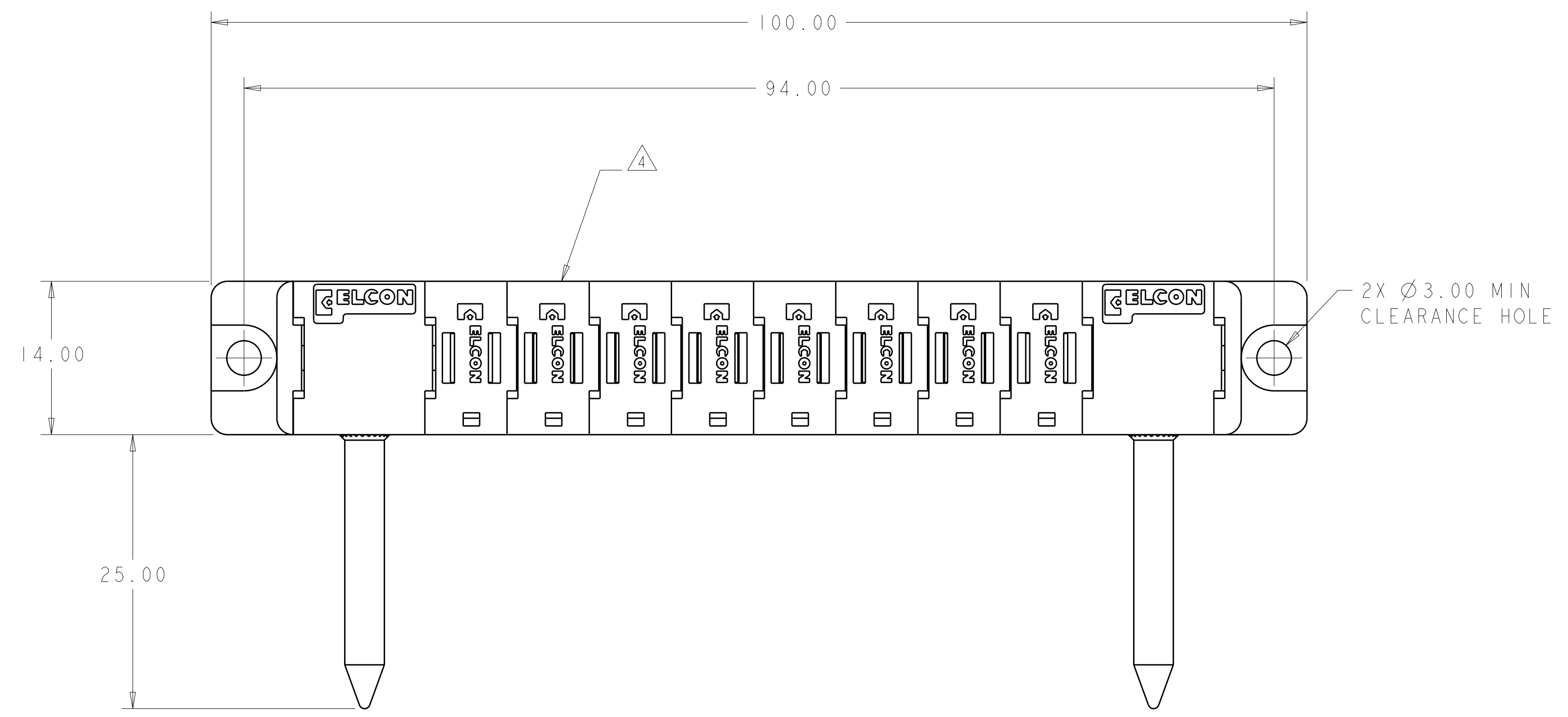


LOC	DIST	REV	DATE	BY	APPD
-	-	1	23SEP2008	CR	PD
-	-	A	02OCT2008	CR	PD



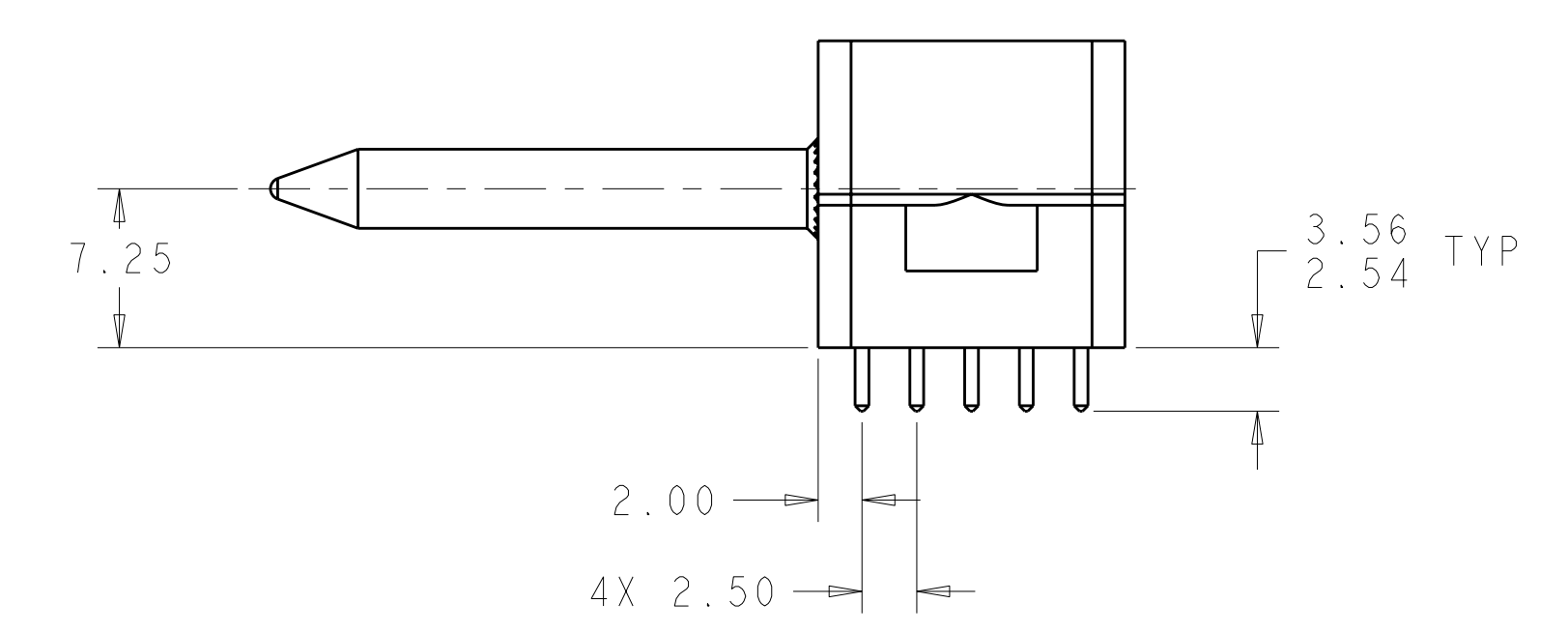
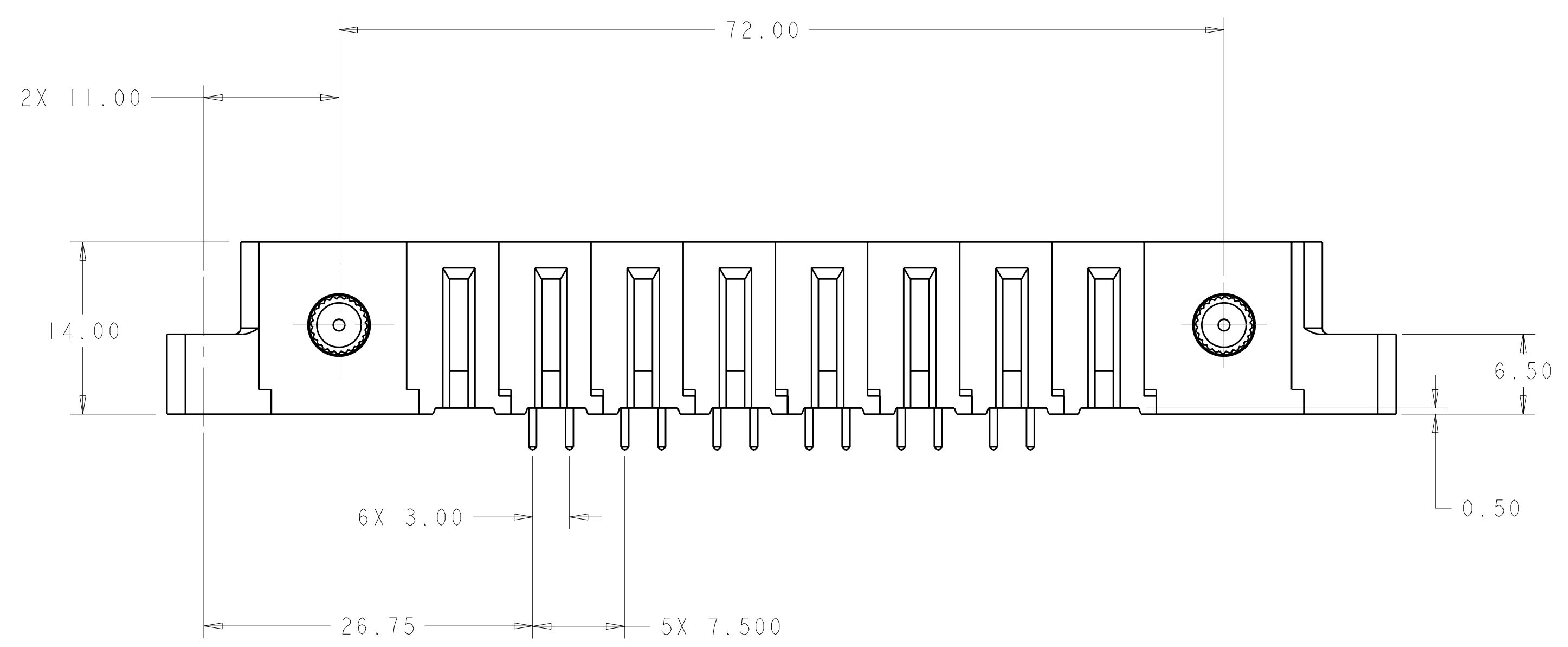
- PART NUMBER CHANGES AND OR DESIGN CHANGES AFFECTING ITEM INTERCHANGEABILITY REQUIRE PRIOR TYCO ELECTRONICS APPROVAL AND AUTHORIZATION BY REVISION TO THIS DRAWING.
- MATERIAL:
  - INSULATORS - THERMOPLASTIC, GLASS REINFORCED, COLOR: BLACK, UL94V-0 FLAMMABILITY RATED.
  - POWER CONTACTS - PHOSPHOR BRONZE ALLOY, COPPER ALLOY
  - CROWN BAND-BERYLLIUM COPPER ALLOY
- FINISH:
  - CONTACTS - GOLD PLATE 0.76µm MIN. THK., OVER NICKEL
  - 1.27µm MIN. THK
  - SOLDER TAILS, TIN 3.05µm MIN. THK. OVER NICKEL
  - 1.27µm MIN THK.

△ ITEMS PROVIDED TO THIS SPECIFICATION TO BE PERMANENTLY IDENTIFIED PER THE FOLLOWING IDENTIFIER LABEL

YEAR WEEK

TYCO ELECTRONICS P/N      DATE CODE (e.g. 0106)  
 XXXXXXXX-X                  XXXX

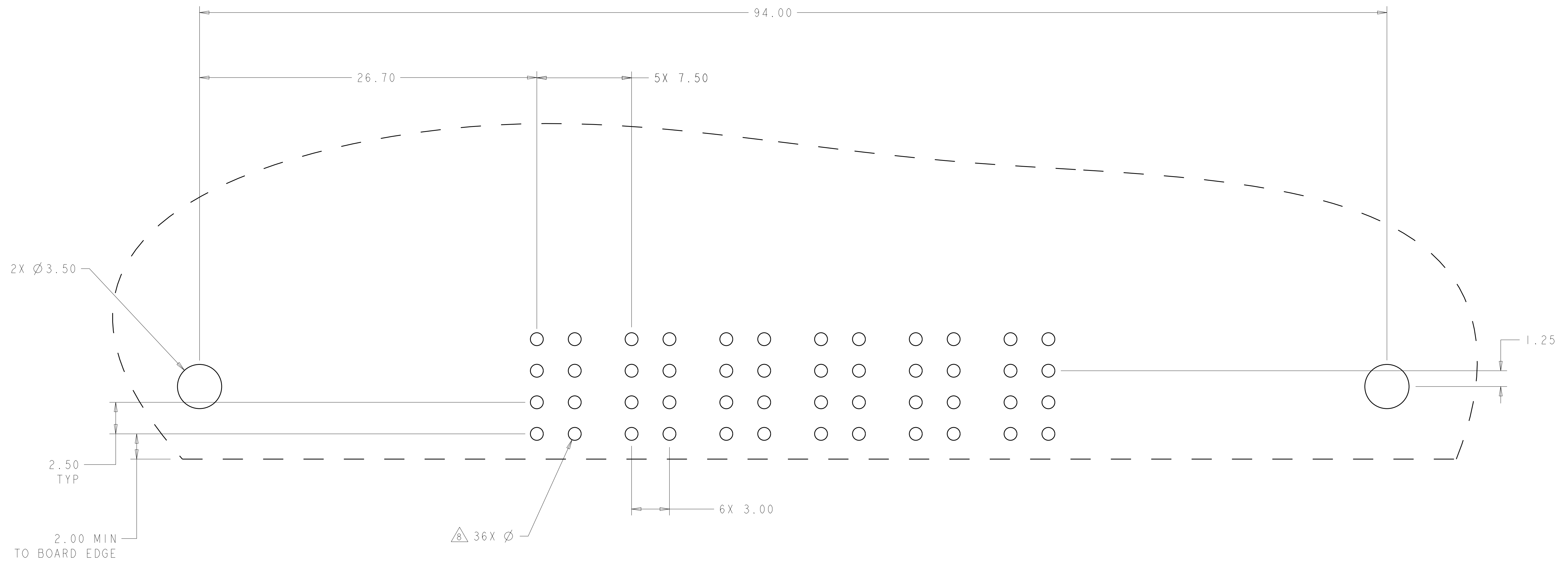
- MOUNTING FLANGE ACCEPTS M3 OR NO.4 SCREWS. (USER SUPPLIED)
- CONNECTOR MATES WITH TYCO ELECTRONICS PART NUMBER 1926996-1



**ELCON** **FLATPAQ**

AS SHOWN	1926997-1
DESCRIPTION	PART NO.
DIMENSIONS: mm TOLERANCES UNLESS OTHERWISE SPECIFIED: 9 PLC ±.5 1 PLC ±.5 5 PLC ±.25 4 PLC ±. ANGLES ±. FINISH #2	
DWN: C. ROHLER 23SEP2008 CHK: P. DAMATO 23SEP2008 APVD: M. PERCHERIE 23SEP2008 NAME: PIN CONNECTOR ASSEMBLY RIGHT ANGLE, SOLDER TAILS FLATPAQ SIZE: A   00779   C=1926997 SCALE: 3:1 SHEET 1 OF 3 REV A	
CUSTOMER DRAWING	

LOC	DIST	REV	DATE	BY	APP'D
-	-	1	-	-	-
REVISIONS			DESCRIPTION	DATE	DWN
-	-	1	SEE SHEET 1	-	-



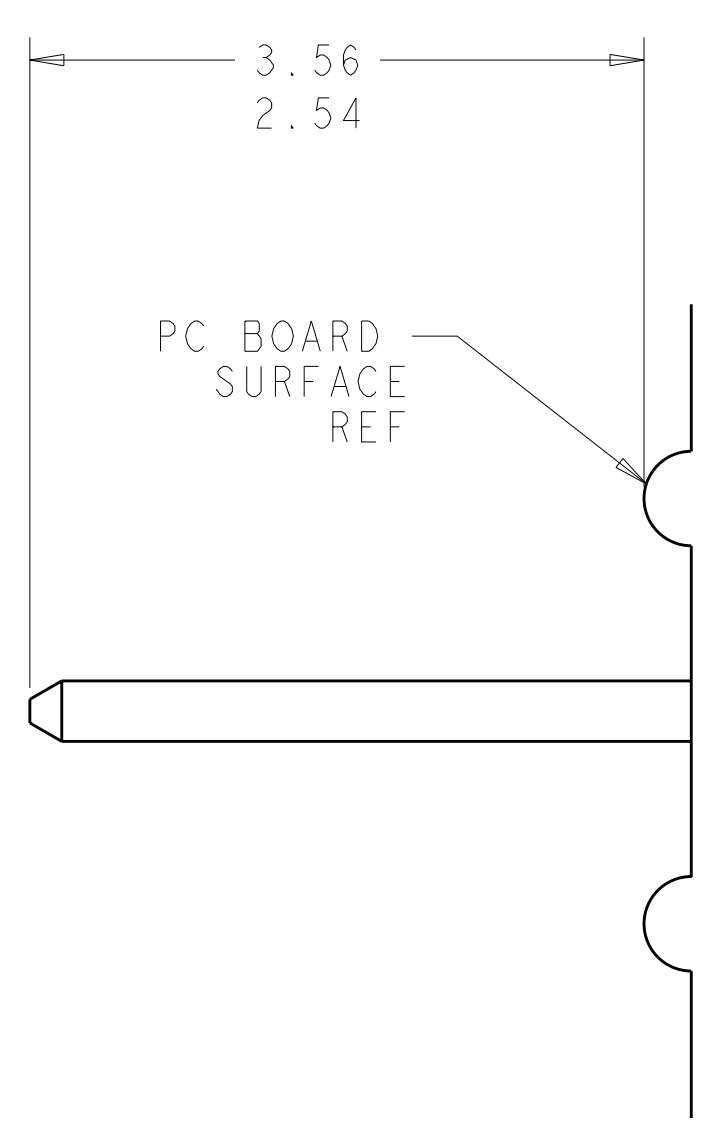
PRINTED CIRCUIT LAYOUT  
 COMPONENT SIDE  
 SCALE 6:1

CONNECTOR	CATALOG MODULE #	QTY	SIZE NO.	CONTACT QTY	MATING PIN	MAX. CURRENT (PER CONTACT)	CONTACT SPACING	VOLTAGE RATING
PIN	FP104	6	8	3	1.25 X 7.00 [.049 X .276]	35 amps	7.50 [.2953]	250 VOLTS
	FP512	2	SPACER, 250V					
	FP500	1	LEFT MOUNTING FLANGE					
	FP501	1	RIGHT MOUNTING FLANGE					
	FP507	2	RIGHT ANGLE GUIDE PIN					

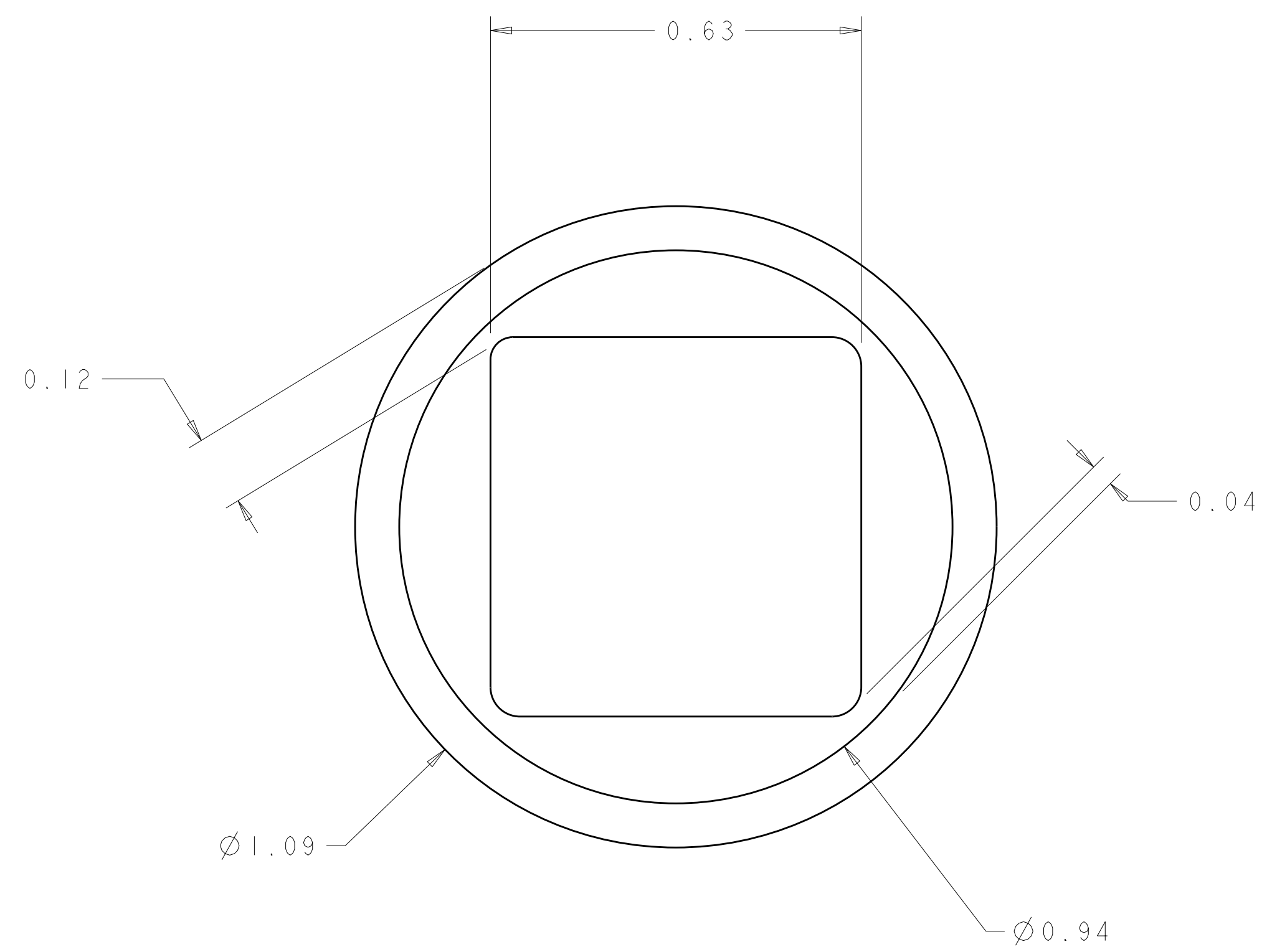
ELCON FLATPAQ

DIMENSIONS: mm 		TOLERANCES UNLESS OTHERWISE SPECIFIED: 9 PLC ±.5 1 PLC ±.5 3 PLC ±.25 4 PLC ±.5 ANGLES ±.2 FINISH #2		DWN C. ROHLER 23SEP2008 CHK P. DAMATO 23SEP2008 APVD M. PERCHERIE 23SEP2008 NAME PRODUCT SPEC APPLICATION SPEC WEIGHT CUSTOMER DRAWING		Tyco Electronics Harrisburg, PA 17105-3608 SIZE CAGE CODE DRAWING NO. RESTRICTED TO A100779C-1926997 SCALE 3:1 SHEET 2 OF 3 REV A	
-----------------------	--	--	--	---	--	---	--

LOC	DIST	REV	DATE	BY	APPD
-	-	1	-	-	-
DESCRIPTION			DATE	BY	APPD
SEE SHEET 1			-	-	-



7. SOLDER PIN DETAIL  
SCALE 10:1



△ SOLDER TERMINATION AREA  
SCALE 40:1  
RECOMMENDED PRINTED CIRCUIT SOLDER HOLE  
FINISHED HOLE: Ø1.02 [.040] ±.08 [.003]  
DRILLED HOLE: Ø1.15 [.0453] ±.013 [.0005]  
COPPER PLATE: .025 [.0010] MIN  
TIN PLATE: .008 [.0003] MIN. (PER SURFACE)

<small>THIS DRAWING IS UNPUBLISHED. RELEASED FOR PUBLICATION. ALL RIGHTS RESERVED. THIS DRAWING IS UNPUBLISHED. RELEASED FOR PUBLICATION. ALL RIGHTS RESERVED. THIS DRAWING IS UNPUBLISHED. RELEASED FOR PUBLICATION. ALL RIGHTS RESERVED.</small>		DWN C. ROHLER 23SEP2008 CHK P. DAMATO 23SEP2008 APVD M. PERCHERIE 23SEP2008	Tyco Electronics Harrisburg, PA 17105-3608
DIMENSIONS: mm 	TOLERANCES UNLESS OTHERWISE SPECIFIED: 9 PLC ±.5 1 PLC ±.5 2 PLC ±.25 3 PLC ±.25 4 PLC ±.25 ANGLES ±.2 FINISH #2	NAME PIN CONNECTOR ASSEMBLY RIGHT ANGLE, SOLDER TAILS FLATPAQ	SIZE CAGE CODE DRAWING NO A 100779 C=1926997
MATERIAL	FINISH	WEIGHT	RESTRICTED TO
-	-	-	-
CUSTOMER DRAWING		SCALE 2:1	SHEET 3 OF 3 REV A

单击下面可查看定价，库存，交付和生命周期等信息

[>>TE Connectivity\(泰科\)](#)