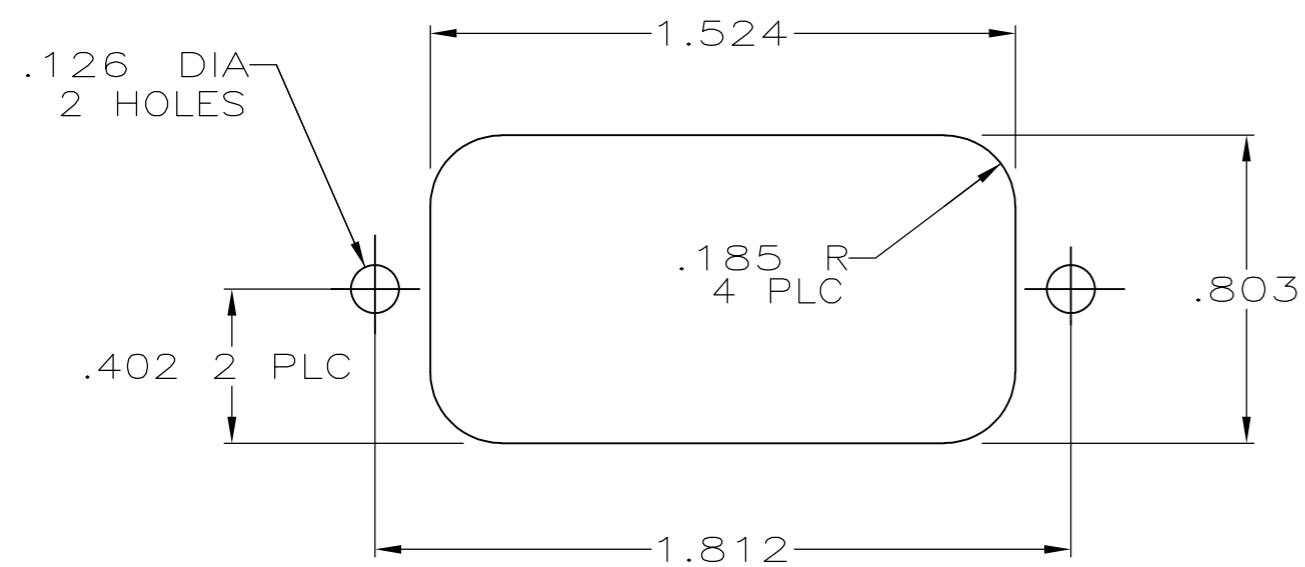
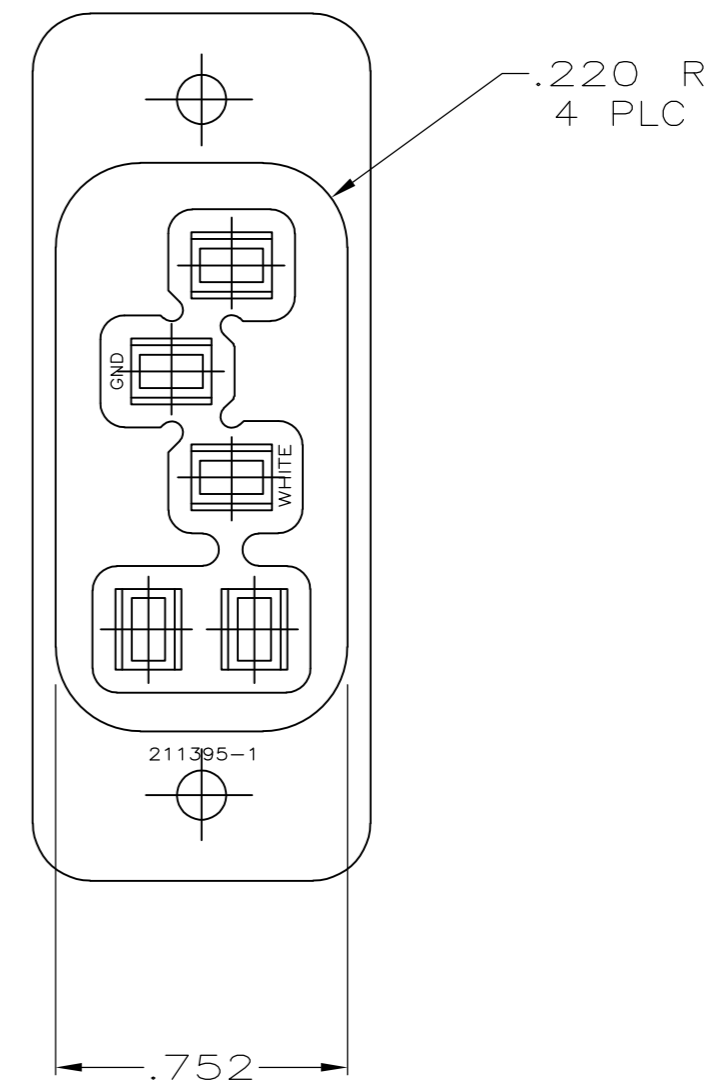
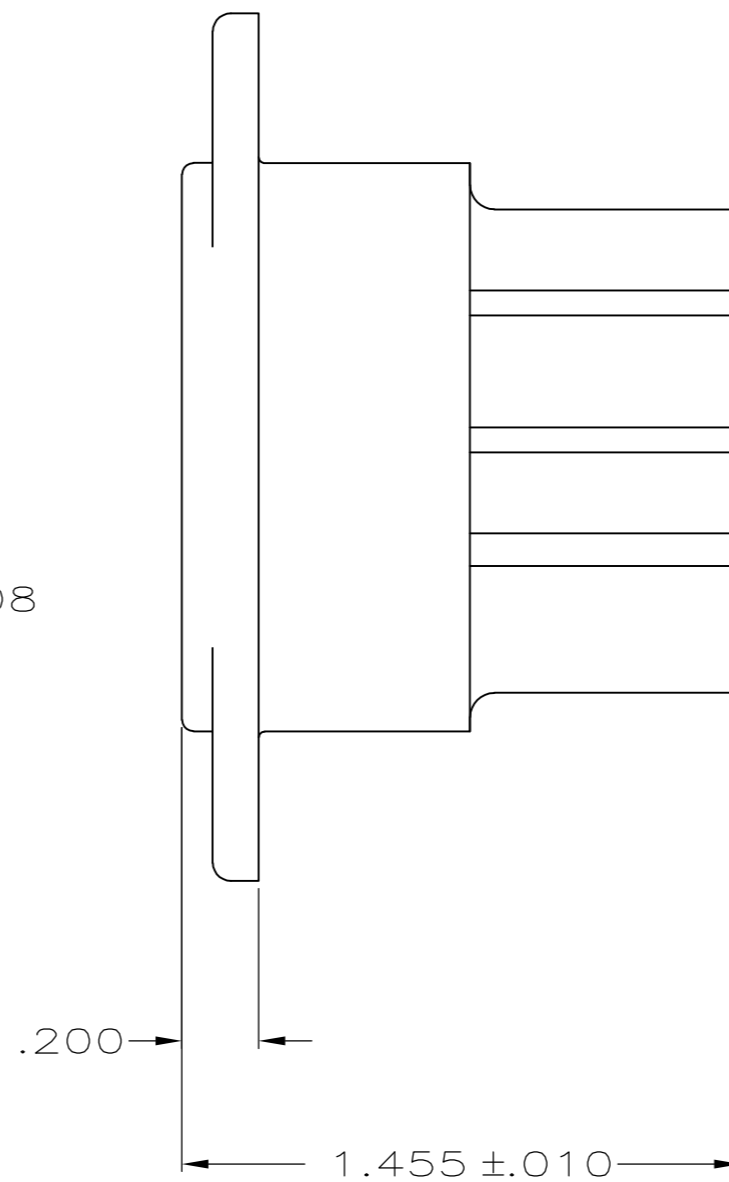
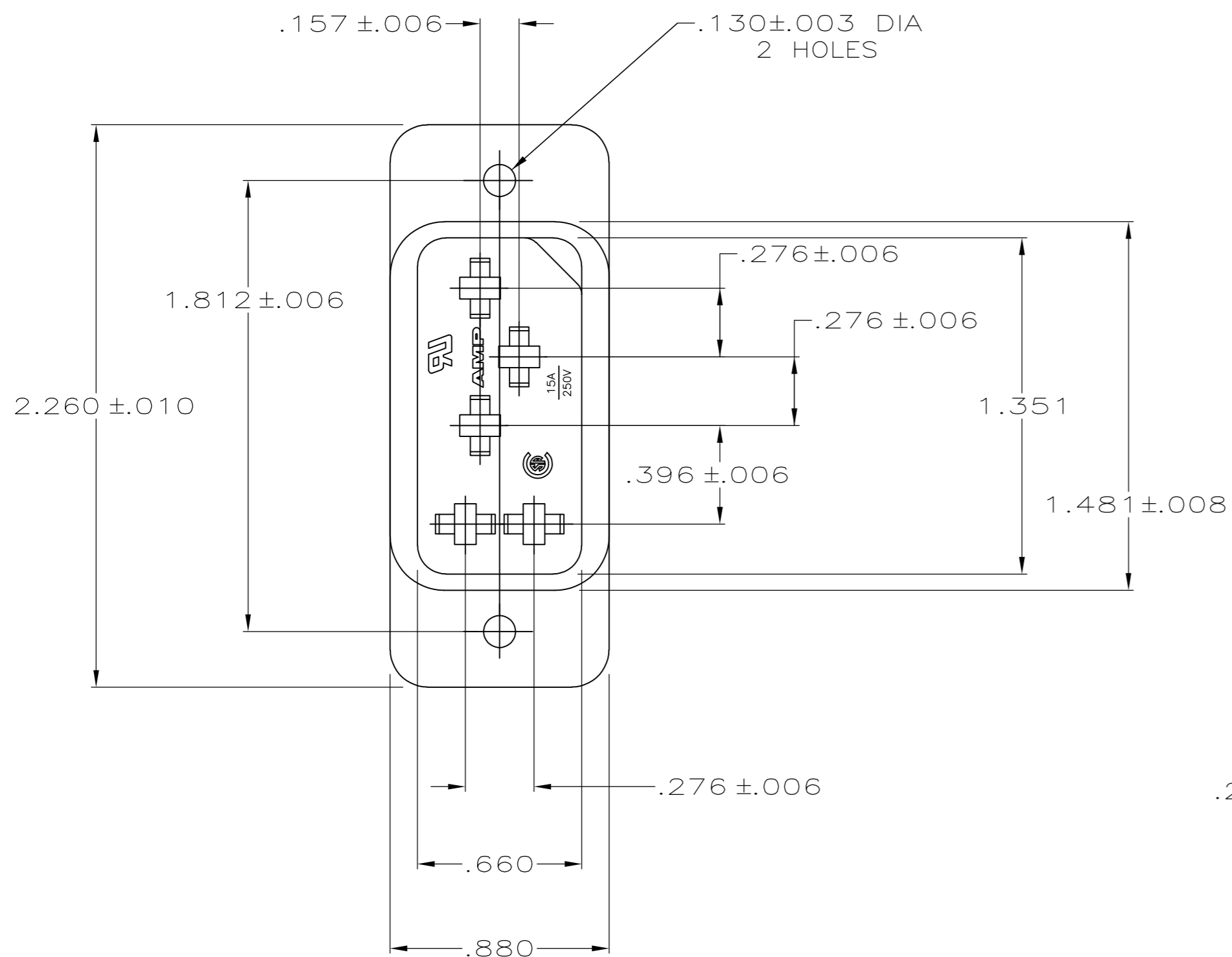


THIS DRAWING IS UNPUBLISHED. RELEASED FOR PUBLICATION
 © COPYRIGHT - By - ALL RIGHTS RESERVED.

| LOC | | DIST | | REVISIONS | | | |
|-----|-----|-------------|---------------------------|-----------|---------|------|-----|
| P | LTR | DESCRIPTION | | DATE | DWN | APVD | |
| BD | 39 | J1 | REVISED PER ECO-11-004917 | | 11MAR11 | RK | HMR |



RECOMMENDED PANEL OPENING

| | | | | |
|---|--|--------------------------|------------------------------------|-----------------|
| THIS DRAWING IS A CONTROLLED DOCUMENT. | | DWN H MOLL 4-17-91 | 211395-1 | |
| DIMENSIONS: INCHES | | CHK R.STONE 05/09/91 | PART NO | |
| TOLERANCES UNLESS OTHERWISE SPECIFIED: | | APVD D.L.ROCKER 05/09/91 | TE Connectivity | |
| 0 PLC ± - | | PRODUCT SPEC | RECEPTACLE, 5 POSITION, POWER CORD | |
| 1 PLC ± - | | APPLICATION SPEC | SIZE A2 | CAGE CODE 00779 |
| 2 PLC ± - | | WEIGHT - | DRAWING NO C=211395 | RESTRICTED TO - |
| 3 PLC ± .005 | | CUSTOMER DRAWING | | |
| 4 PLC ± - | | SCALE 2:1 | SHEET 1 of 1 | REV J1 |
| ANGLES ± - | | | | |
| FINISH - | | | | |
| MATERIAL POLYESTER, UL 94V-0 RATED, GLASS FILLED, BLACK | | | | |

单击下面可查看定价，库存，交付和生命周期等信息

[>>TE Connectivity\(泰科\)](#)