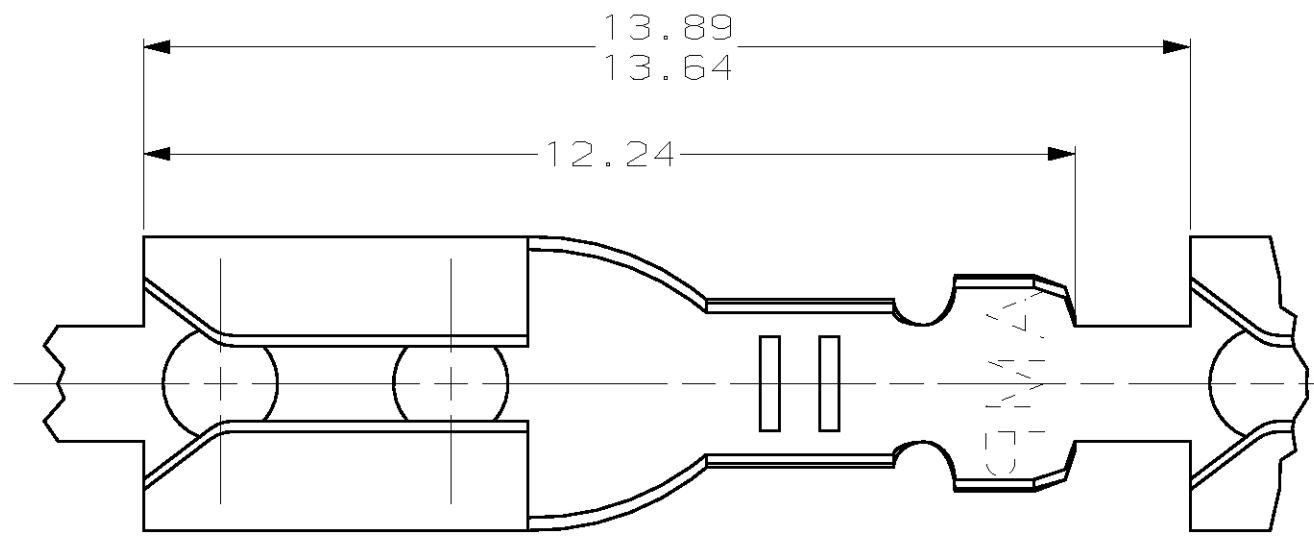
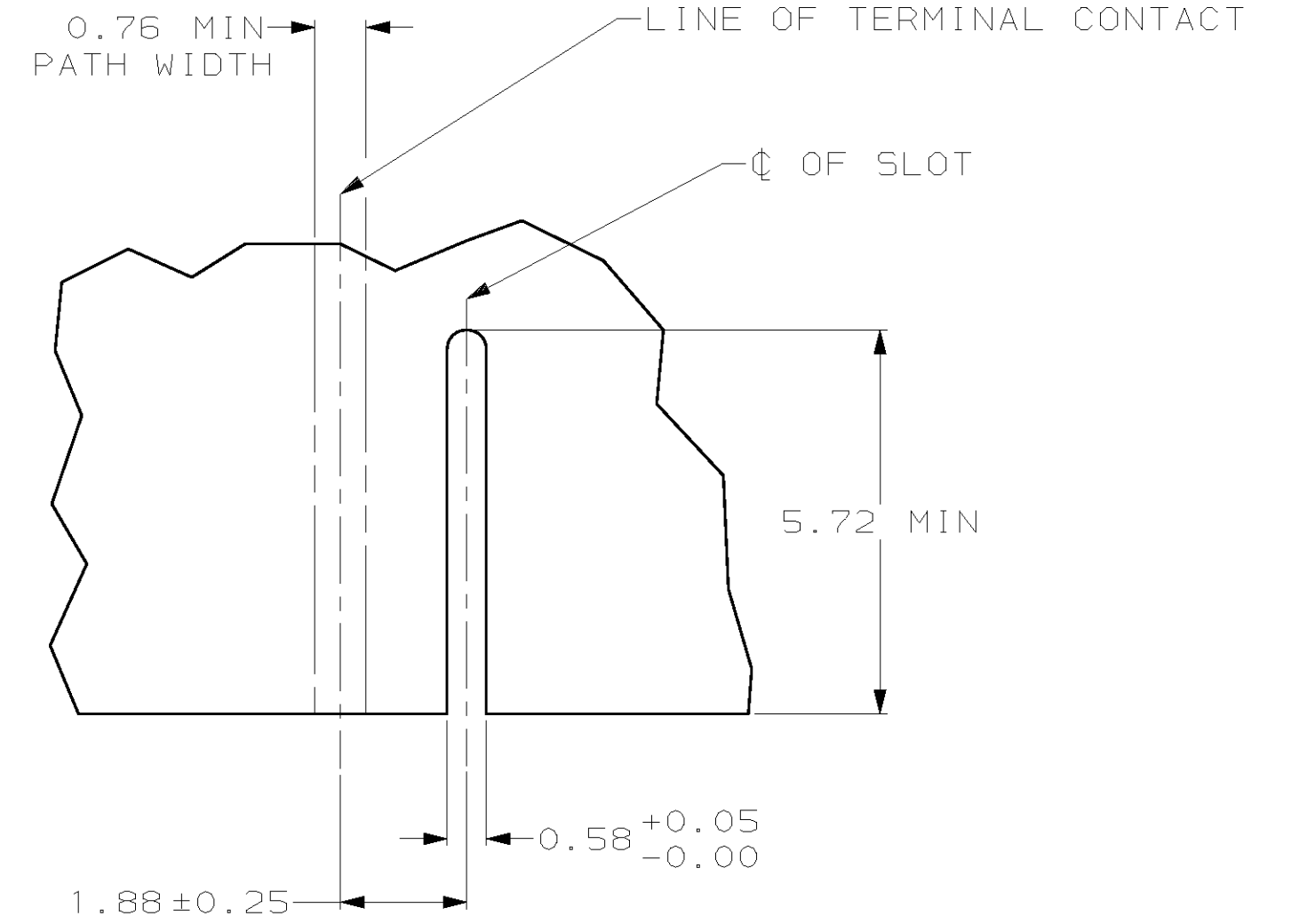


THIS DRAWING IS UNPUBLISHED. RELEASED FOR PUBLICATION
 (C) COPYRIGHT 19 BY AMP INCORPORATED. ALL RIGHTS RESERVED.

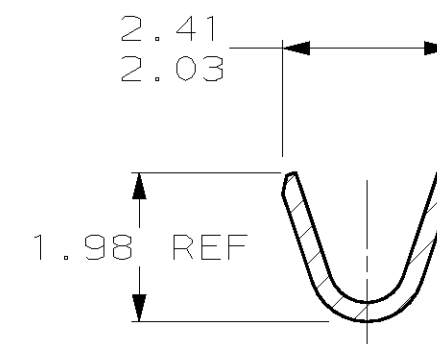
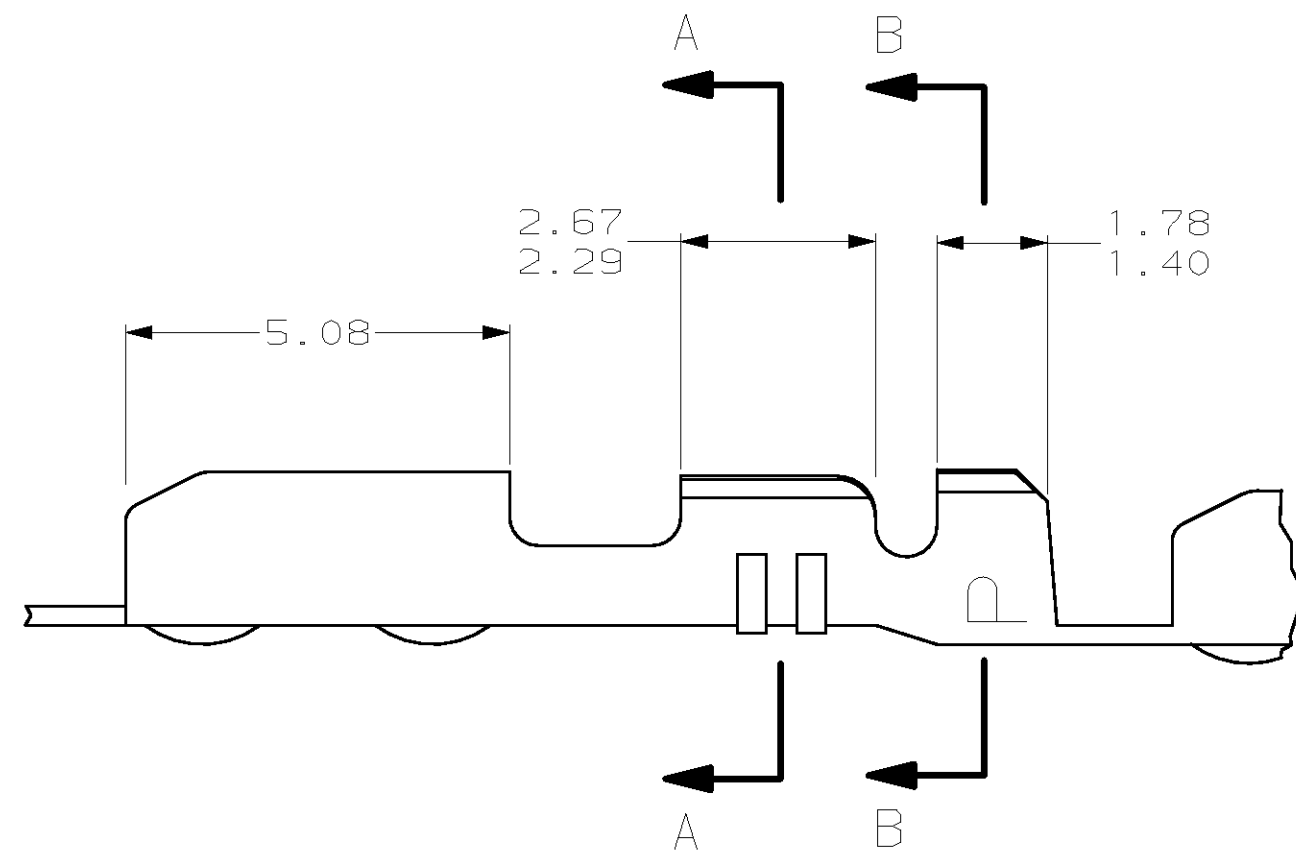
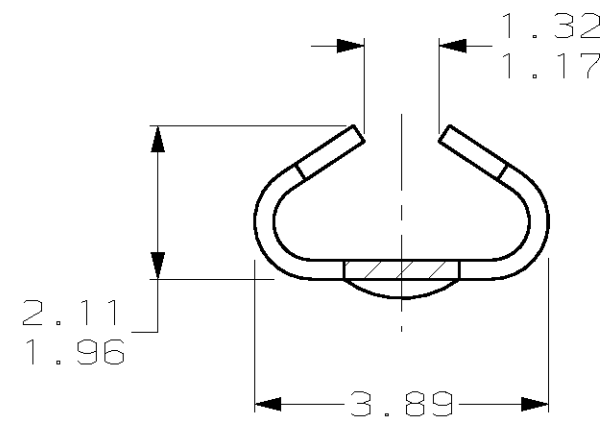
| LOC | DIST | REVISIONS | | | |
|-----|------|-------------|---------------------------------|----------|-------|
| P | LTR | DESCRIPTION | DATE | DWN | APVD |
| CM | 52 | AA | REV & REDWN PER EC 0L30-0096-97 | 12-20-96 | TB RS |



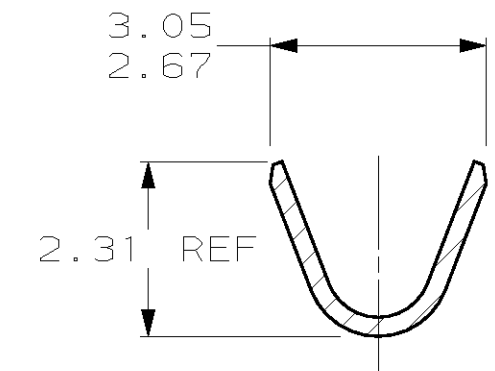
1. WIRE RANGE: 0.04 - 0.6 MM² (22 - 20 AWG)
2. INSULATION RANGE: 1.19 MAX



RECOMMENDED CUT OUT FOR 1.57 THICK P.C. BOARD



SECTION A-A



SECTION B-B

42263-7
PART NUMBER

| | | | | | | | |
|------|------|------|------|------|------|-------|------|
| 1.17 | .046 | 1.96 | .077 | 2.67 | .105 | 13.89 | .547 |
| 0.76 | .030 | 1.91 | .075 | 2.41 | .095 | 13.64 | .537 |
| 0.58 | .023 | 1.88 | .074 | 2.31 | .091 | 12.24 | .482 |
| 0.25 | .010 | 1.78 | .070 | 2.29 | .090 | 5.72 | .225 |
| 0.13 | .005 | 1.57 | .062 | 2.11 | .083 | 5.08 | .200 |
| 0.05 | .002 | 1.40 | .055 | 2.03 | .080 | 3.89 | .153 |
| 0.00 | .000 | 1.32 | .052 | 1.98 | .078 | 3.05 | .120 |
| MM | IN | MM | IN | MM | IN | MM | IN |

CONVERSION TABLE

METRIC

| | | | | |
|----------------------------------------|----------------------|-----------------------------------------------------|------------|--------------|
| THIS DRAWING IS A CONTROLLED DOCUMENT. | | DWN | T. BECK | 12-20-96 |
| DIMENSIONS: mm | | CHK | R. SWING | 12-20-96 |
| TOLERANCES UNLESS OTHERWISE SPECIFIED: | | APVD | A. BEDDICK | 1-08-97 |
| 0 PLC | ± | NAME | | |
| 1 PLC | ± | TERMINAL, 22-20 AWG, .075 MAX INSULATION, AMP-EDGE™ | | |
| 2 PLC | ±0.13 | SIZE | | |
| 3 PLC | ± | CAGE CODE | | |
| 4 PLC | ± | DRAWING NO | | |
| ANGLES | ± | RESTRICTED TO | | |
| MATERIAL | 0.25 PHOSPHOR BRONZE | FINISH | TIN | WEIGHT |
| CUSTOMER DRAWING | | A2 00779 | | C-42263 |
| SCALE | | 10:1 | | SHEET 1 OF 1 |

42263

B

A

单击下面可查看定价，库存，交付和生命周期等信息

[>>TE Connectivity\(泰科\)](#)