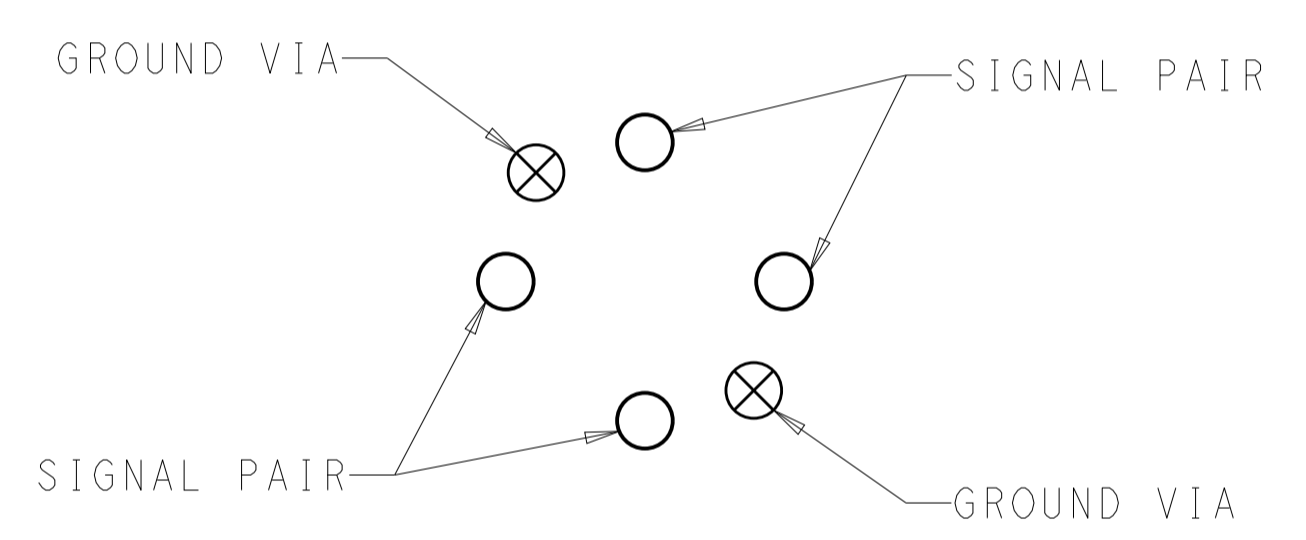
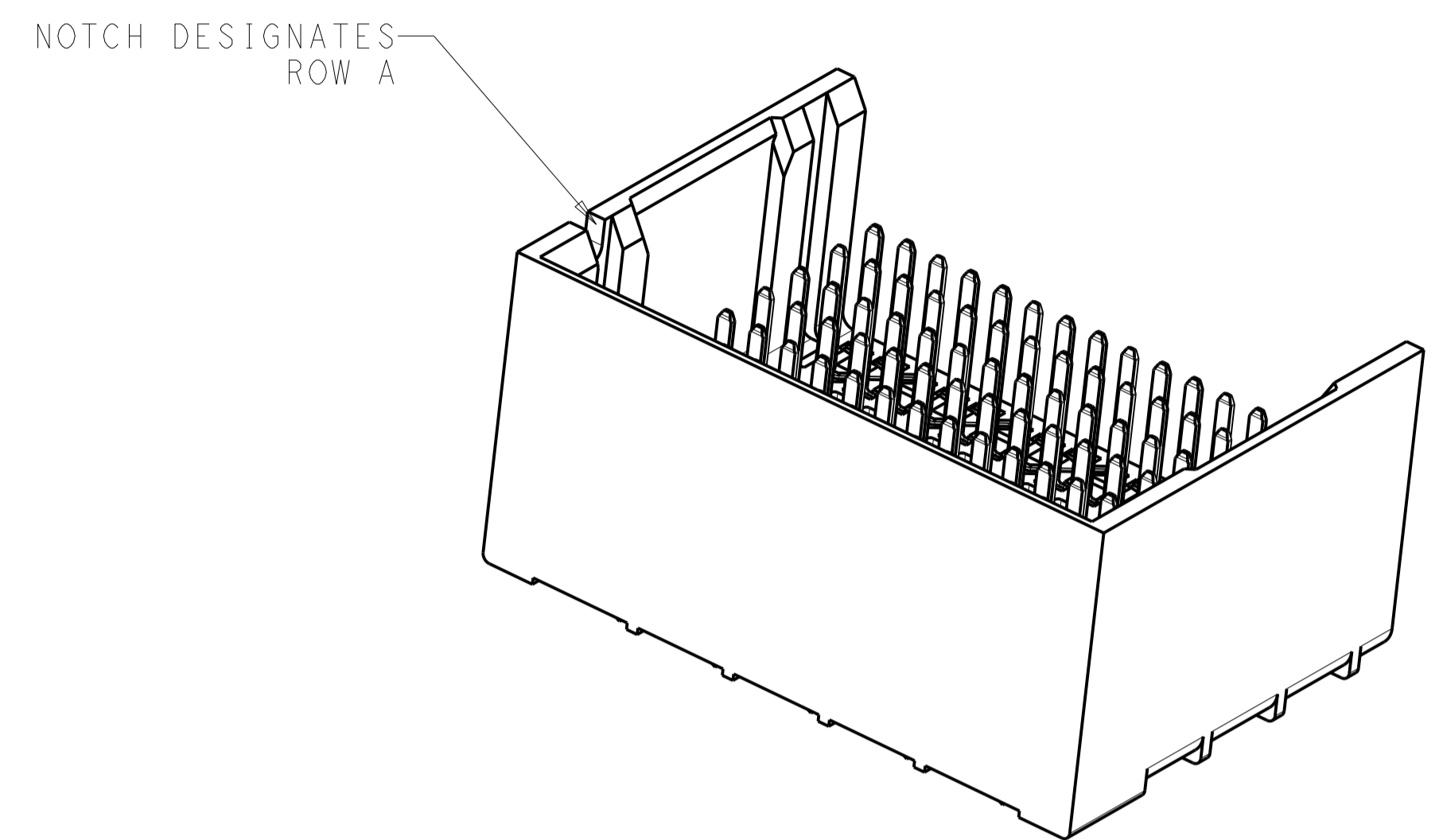
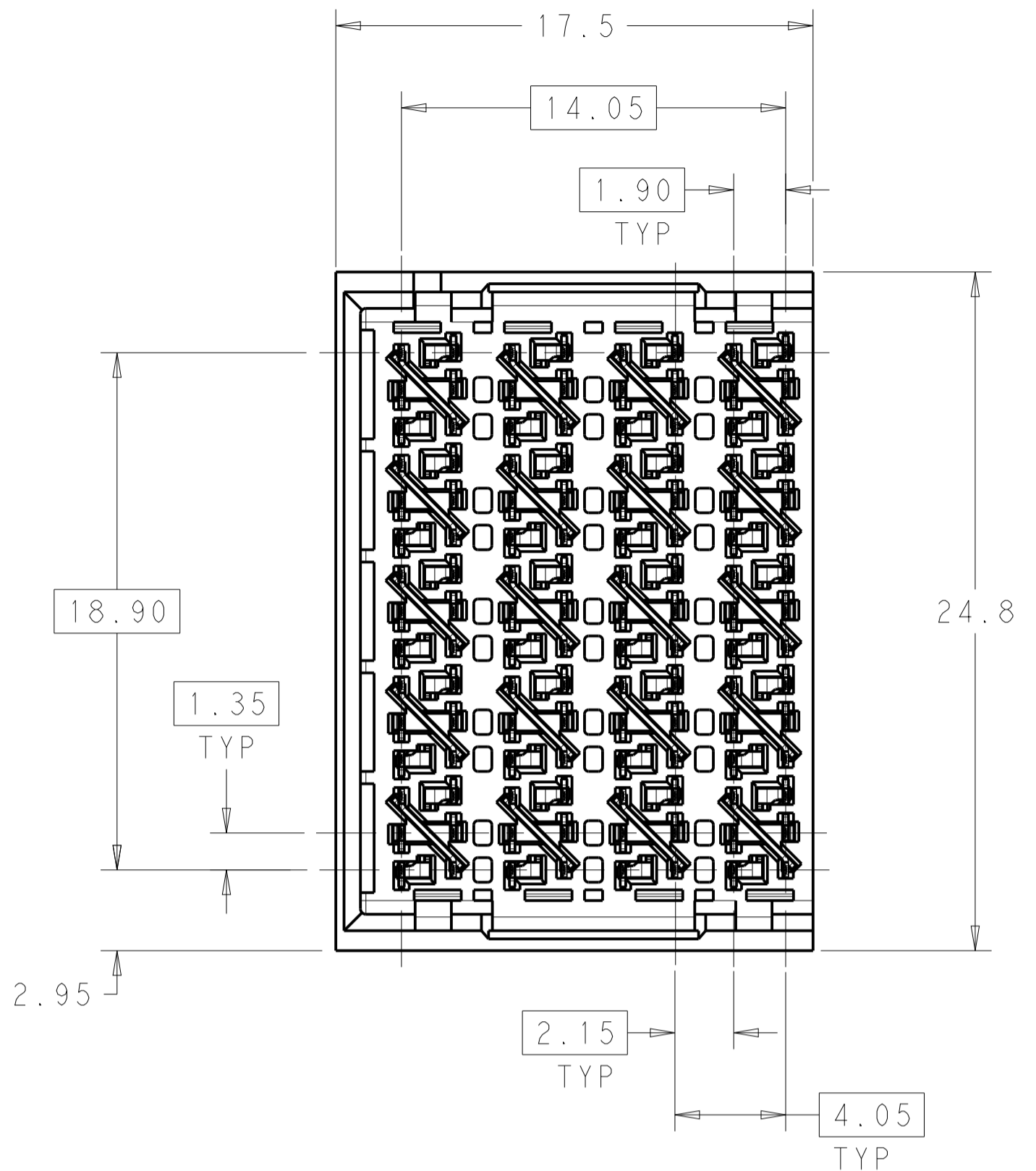


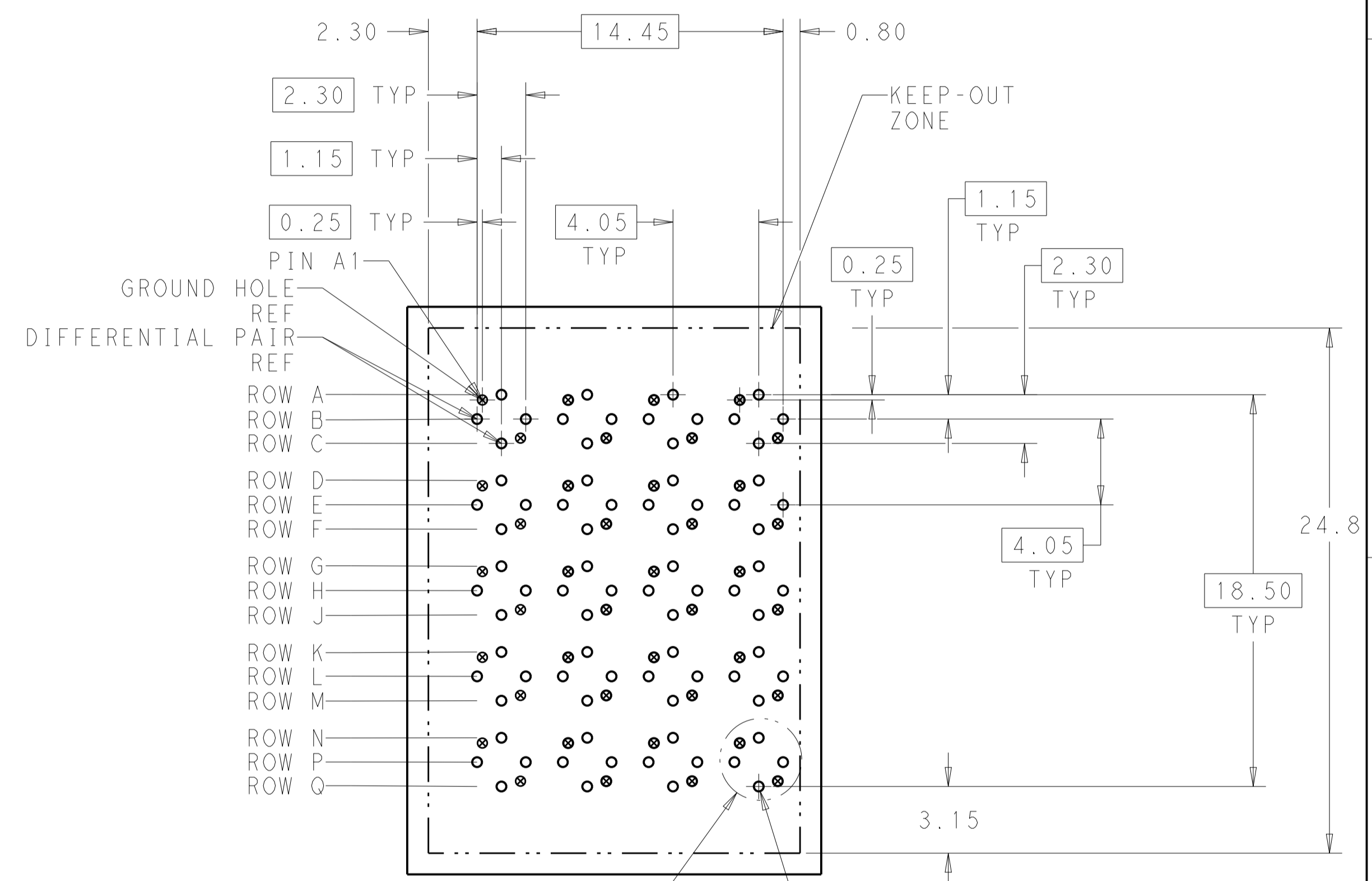
| REVISIONS | | | | |
|-----------|-----|---------------------------|-----------|----------|
| P. | LTN | DESCRIPTION | DATE | OWN APVD |
| B | | REVISED PER ECO-14-013272 | 09SEP2014 | AP DD |



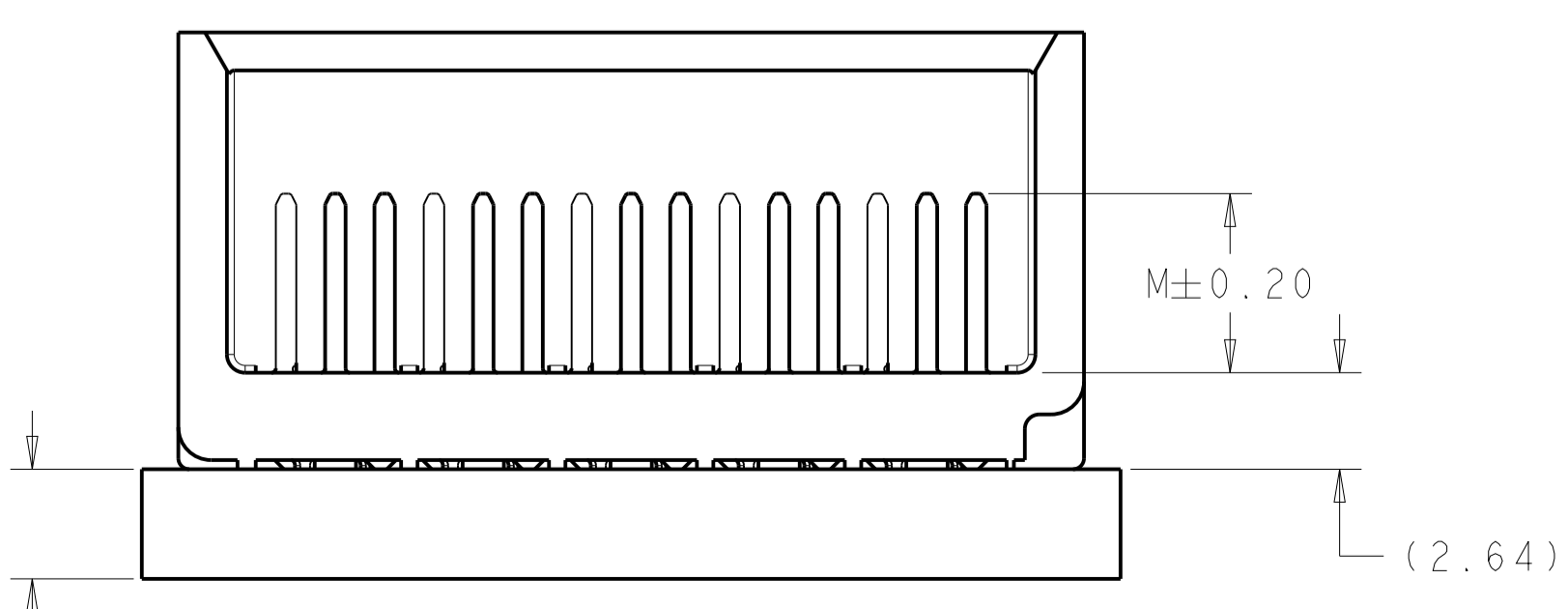
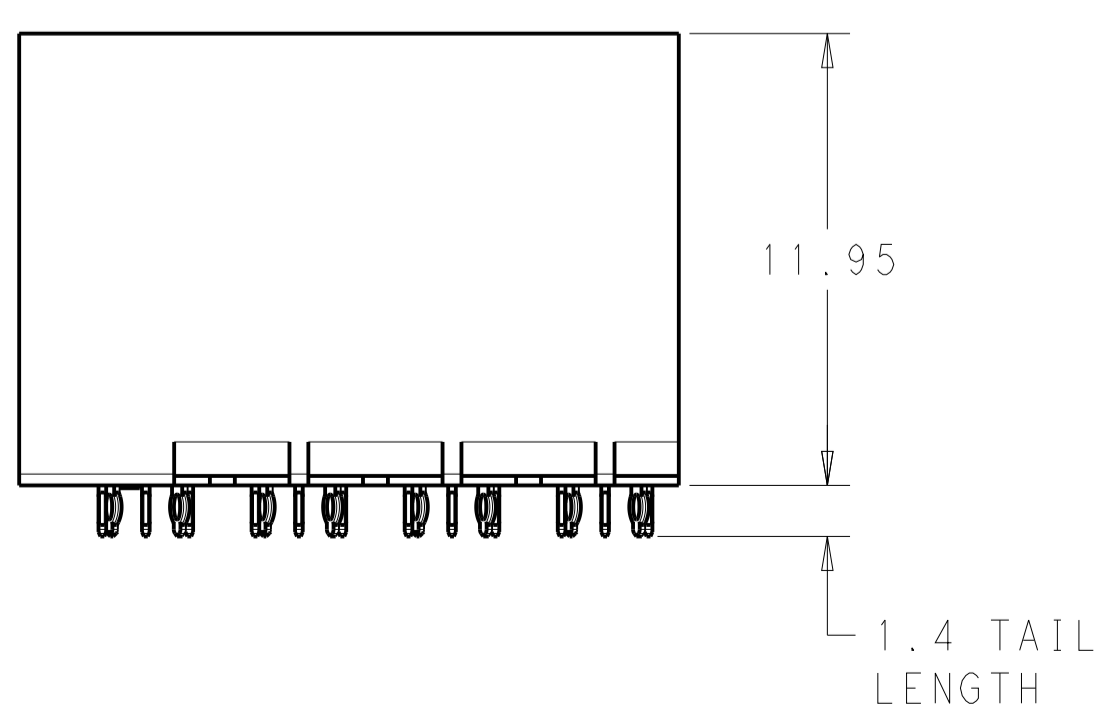
DETAIL X
SCALE 16:1

⚠ MATERIAL:
HOUSING: LCP, GLASS FILLED, UL94V-0.
TERMINALS: HIGH PERFORMANCE COPPER ALLOY.

⚠ FINISH:
30μ" MIN GOLD IN CONTACT AREA. SELECTIVE TIN ON PCB TAILS, NICKEL OVERALL.



UNGUIDED BACKPLANE HOLE PATTERN (CONNECTOR SIDE)



3.00 MINIMUM BOARD THICKNESS

| | | | |
|--|-----------|---------------------------|--|
| THIS DRAWING IS A CONTROLLED DOCUMENT. | | OWN: KIRAN HOLH 01DEC2012 | TE Connectivity |
| DIMENSIONS: mm | | CHK: D. DIXON 01DEC2012 | |
| TOLERANCES UNLESS OTHERWISE SPECIFIED: | | APVD: D. DIXON 01DEC2012 | NAME: IMPACT, ORTHOGONAL, 5 PAIR, 8 COLUMN HEADER, UNGUIDED, LEFT END WALL SIGNAL MODULE, 0.46 PTH |
| 0 PLC | ± | PRODUCT SPEC | SIZE: CAGE CODE DRAWING NO. RESTRICTED TO |
| 1 PLC | ±0.25 | APPLICATION SPEC | A100779C=2143623 |
| 2 PLC | ±0.13 | WEIGHT | SCALE: 5:1 SHEET 1 OF 2 REV B |
| 3 PLC | ± | CUSTOMER DRAWING | |
| 4 PLC | ± | | |
| ANGLES | ± | | |
| FINISH | SEE TABLE | | |

THIS DRAWING IS UNPUBLISHED. RELEASED FOR PUBLICATION 20
 © COPYRIGHT 20 TE CONNECTIVITY ALL RIGHTS RESERVED.

| REVISIONS | | | | |
|-----------|-----|-------------|------|------|
| P. | LTN | DESCRIPTION | DATE | APVD |
| - | - | SEE SHEET 1 | - | - |
| | | | | |
| | | | | |

| | | |
|--------|-------|-------------|
| | 5.5 | 2143623-2 |
| | 4.9 | 2143623-1 |
| FINISH | DIM M | PART NUMBER |

REFER TO WWW.TE.COM
FOR PRODUCT AVAILABILITY

| | | | |
|--|---|---|---|
| THIS DRAWING IS A CONTROLLED DOCUMENT. | | DWN: KIRAN HOLHL 01DEC2012 CHK: D. DIXON 01DEC2012 APVD: D. DIXON 01DEC2012 | |
| DIMENSIONS: mm | TOLERANCES UNLESS OTHERWISE SPECIFIED: 0 PLC ±0.25 1 PLC ±0.13 2 PLC ±0.13 3 PLC ±0.13 4 PLC ±0.13 ANGLES ±0.13 | NAME: IMPACT, ORTHOGONAL, 5 PAIR, 8 COLUMN HEADER, UNGUIDED, LEFT END WALL SIGNAL MODULE, 0.46 PTH SIZE: A1 CAGE CODE: 00779 DRAWING NO: 2143623 | |
| | SEE TABLE | WEIGHT: - CUSTOMER DRAWING | RESTRICTED TO: - SCALE: 5:1 SHEET: 2 OF 2 REV: B |

单击下面可查看定价，库存，交付和生命周期等信息

[>>TE Connectivity\(泰科\)](#)