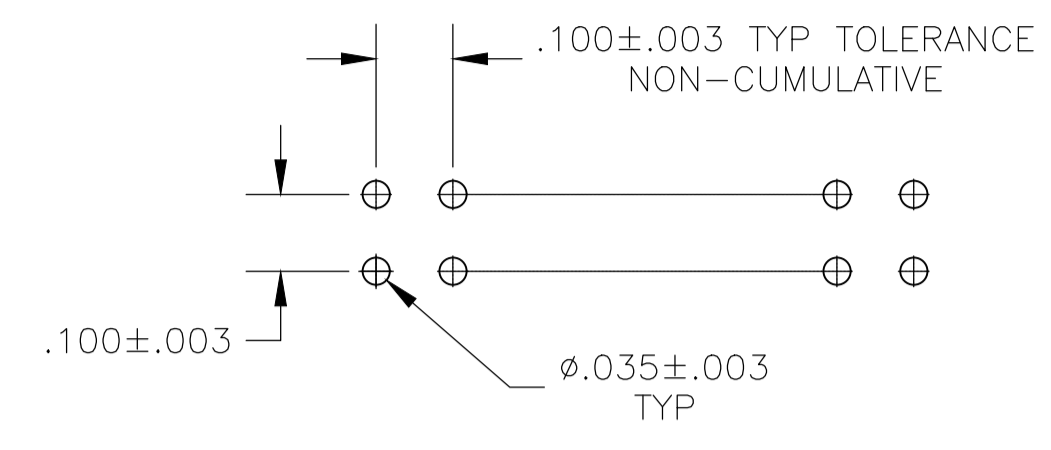
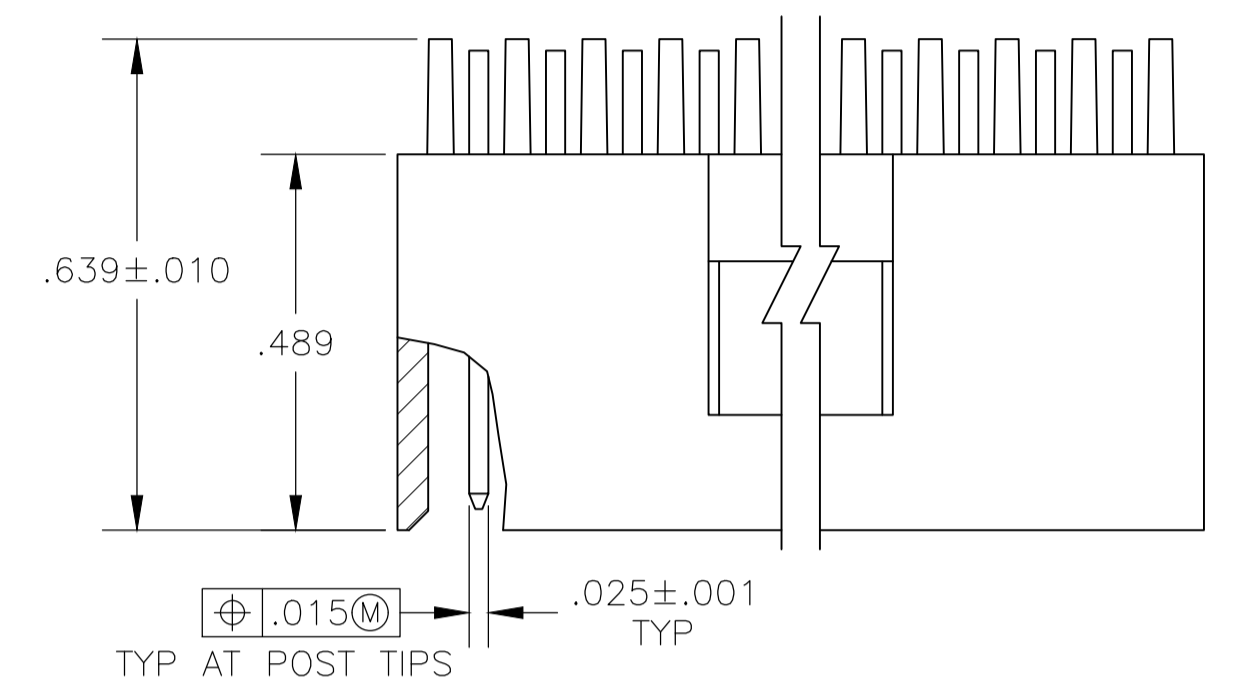


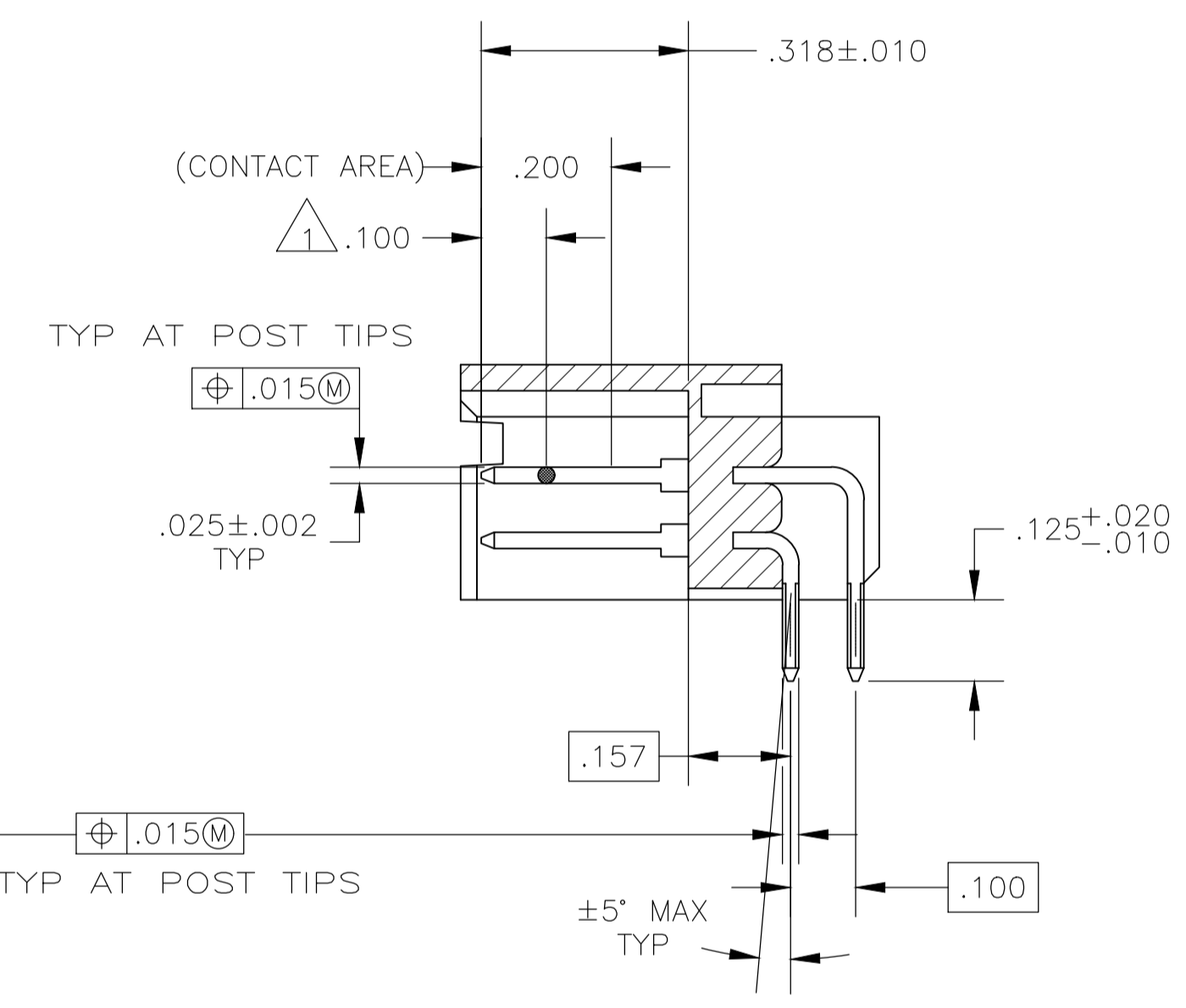
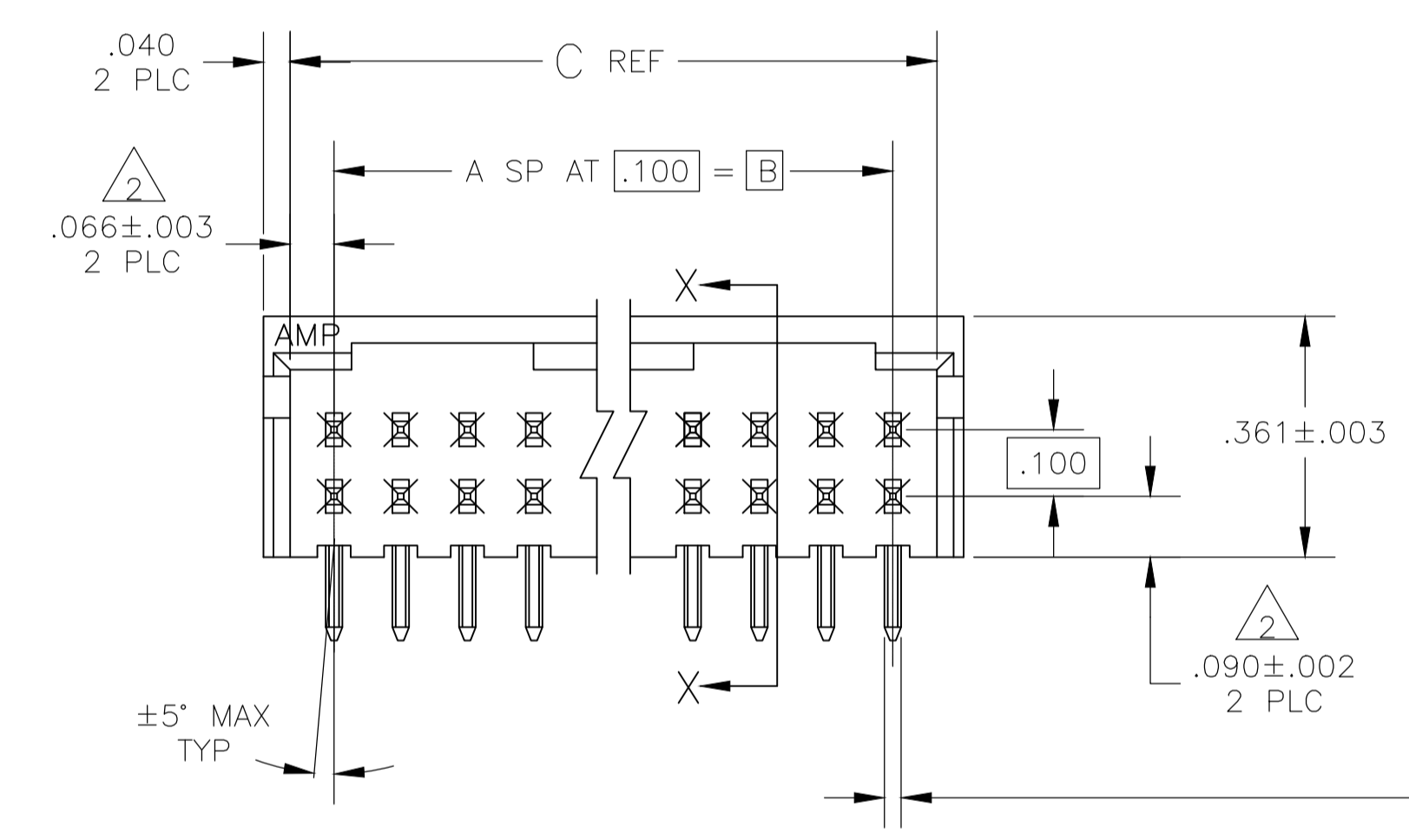
REVISIONS					
P	LTR	DESCRIPTION	DATE	DN	APVD
H4		PART STATUS UPDATED IN PART LIST TABLE	16APR2018	SD	PS



RECOMMENDED HOLE LAYOUT



⊕ .015±.001 TYP AT POST TIPS



SECTION X-X

- 1 POINT OF MEASUREMENT FOR PLATING THICKNESS.
- 2 THE NOTED DIMENSION APPLIES AT THE INTERSECTION OF THE POST AND HOUSING
- 3 .000030 GOLD IN CONTACT AREA, .000100-.000200 MATTE TIN-LEAD ON SOLDER TAIL, ALL OVER .000050 NICKEL
- 4 .000030 GOLD IN CONTACT AREA, .000100-.000200 MATTE TIN ON SOLDER TAIL, ALL OVER .000050 NICKEL
- 5 OBSOLETE PARTS: OBSOLETE CIS STREAMLINING PER D.RENAUD/D.SINISI

REV	DESCRIPTION	DATE	BY	CHK	APVD
4	3.032 2.900 29 60	7-103164-8			
4	2.632 2.500 25 52	7-103164-4			
4	2.532 2.400 24 50	7-103164-3			
4	2.032 1.900 19 40	6-103164-8			
4	1.732 1.600 16 34	6-103164-5			
5	1.532 1.400 14 30	6-103164-3			
4	1.332 1.200 12 26	6-103164-1			
5	1.232 1.100 11 24	6-103164-0			
4	1.032 .900 9 20	5-103164-8			
4	.932 .800 8 18	5-103164-7			
4	.832 .700 7 16	5-103164-6			
4	.732 .600 6 14	5-103164-5			
4	.632 .500 5 12	5-103164-4			
4	.532 .400 4 10	5-103164-3			
4	.432 .300 3 8	5-103164-2			
4	.332 .200 2 6	5-103164-1			
3	3.732 3.600 36 74	3-103164-5			
3	3.632 3.500 35 72	3-103164-4			
3	3.532 3.400 34 70	3-103164-3			
3	3.432 3.300 33 68	3-103164-2			
3	3.332 3.200 32 66	3-103164-1			
5	3.232 3.100 31 64	3-103164-0			
3	3.132 3.000 30 62	2-103164-9			
3	3.032 2.900 29 60	2-103164-8			
3	2.932 2.800 28 58	2-103164-7			
3	2.832 2.700 27 56	2-103164-6			
3	2.732 2.600 26 54	2-103164-5			
3	2.632 2.500 25 52	2-103164-4			
3	2.532 2.400 24 50	2-103164-3			
3	2.432 2.300 23 48	2-103164-2			
3	2.332 2.200 22 46	2-103164-1			
3	2.232 2.100 21 44	2-103164-0			
3	2.132 2.000 20 42	1-103164-9			
3	2.032 1.900 19 40	1-103164-8			
3	1.932 1.800 18 38	1-103164-7			
3	1.832 1.700 17 36	1-103164-6			
3	1.732 1.600 16 34	1-103164-5			
3	1.632 1.500 15 32	1-103164-4			
5	1.532 1.400 14 30	1-103164-3			
3	1.432 1.300 13 28	1-103164-2			
3	1.332 1.200 12 26	1-103164-1			
3	1.232 1.100 11 24	1-103164-0			
3	1.132 1.000 10 22	103164-9			
3	1.032 .900 9 20	103164-8			
3	.932 .800 8 18	103164-7			
3	.832 .700 7 16	103164-6			
3	.732 .600 6 14	103164-5			
3	.632 .500 5 12	103164-4			
3	.532 .400 4 10	103164-3			
3	.432 .300 3 8	103164-2			
3	.332 .200 2 6	103164-1			

SUPERSEDED BY 5-103164-7

PLATING	C	B	A	NO OF POSN	PART NUMBER

THIS DRAWING IS A CONTROLLED DOCUMENT.

DIN H MOLL
CHK J. KNITTLE
APVD J. KNITTLE

TE Connectivity

NAME: HEADER ASSY, MOD II, DBL ROW, .100X.100 C/L, RIGHT ANGLE, (3) SIDED SHROUD

PRODUCT SPEC

APPLICATION SPEC

SIZE: A1
WEIGHT: 00779
SCALE: 4:1

SHEET 1 OF 1

REV H4

单击下面可查看定价，库存，交付和生命周期等信息

[>>TE Connectivity\(泰科\)](#)