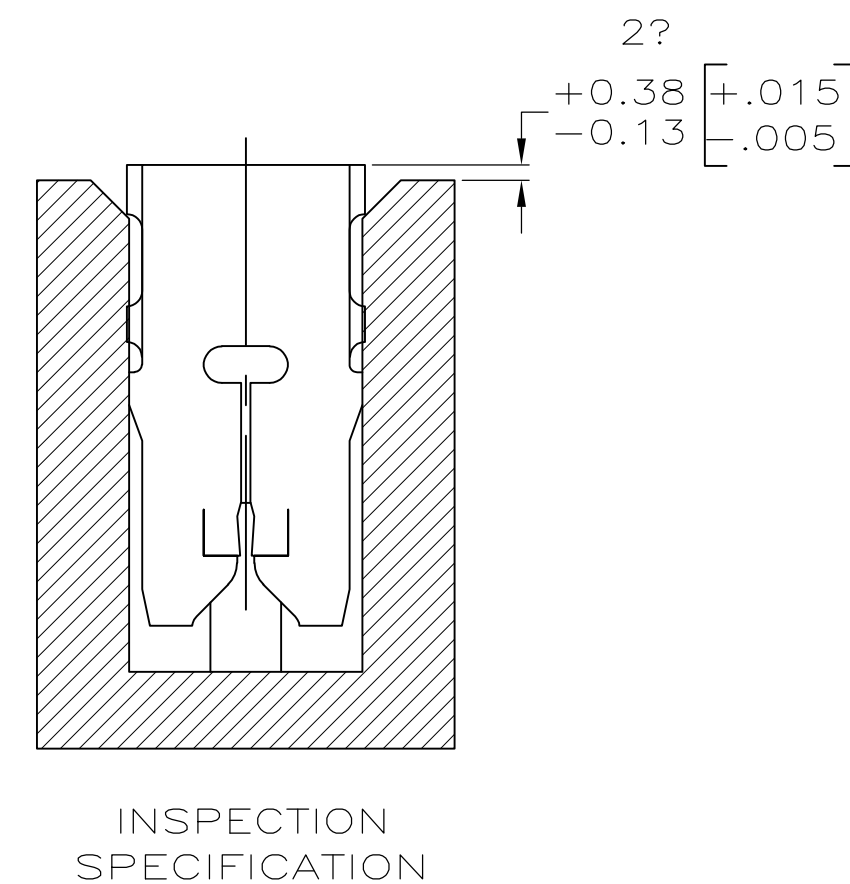
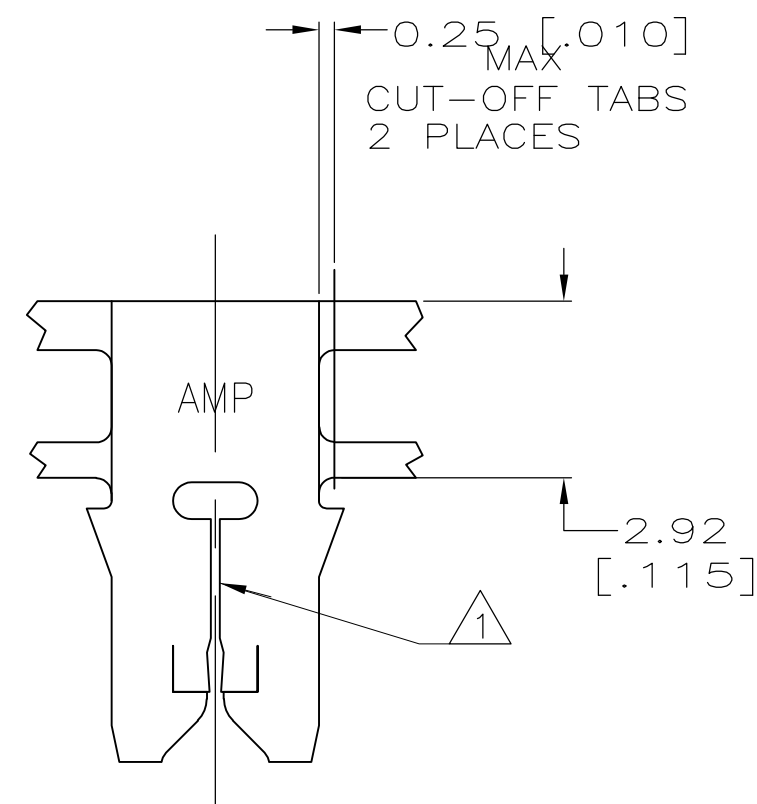
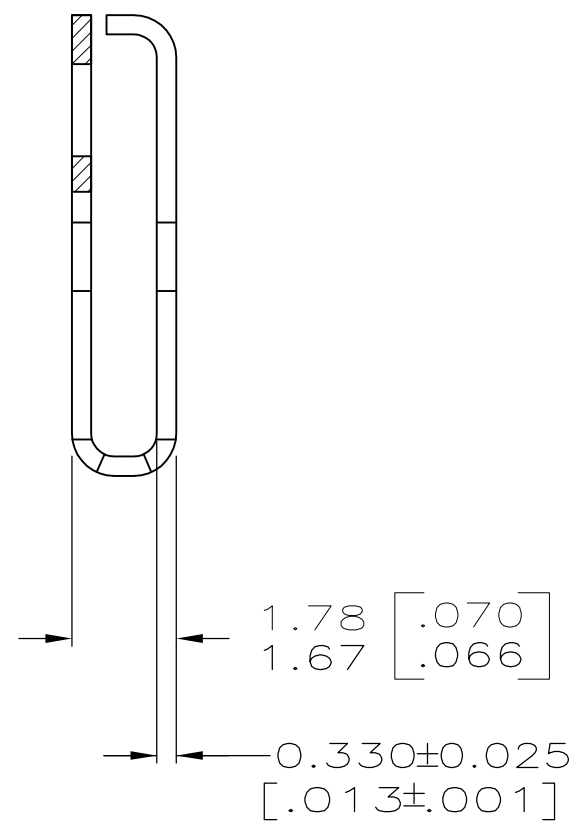
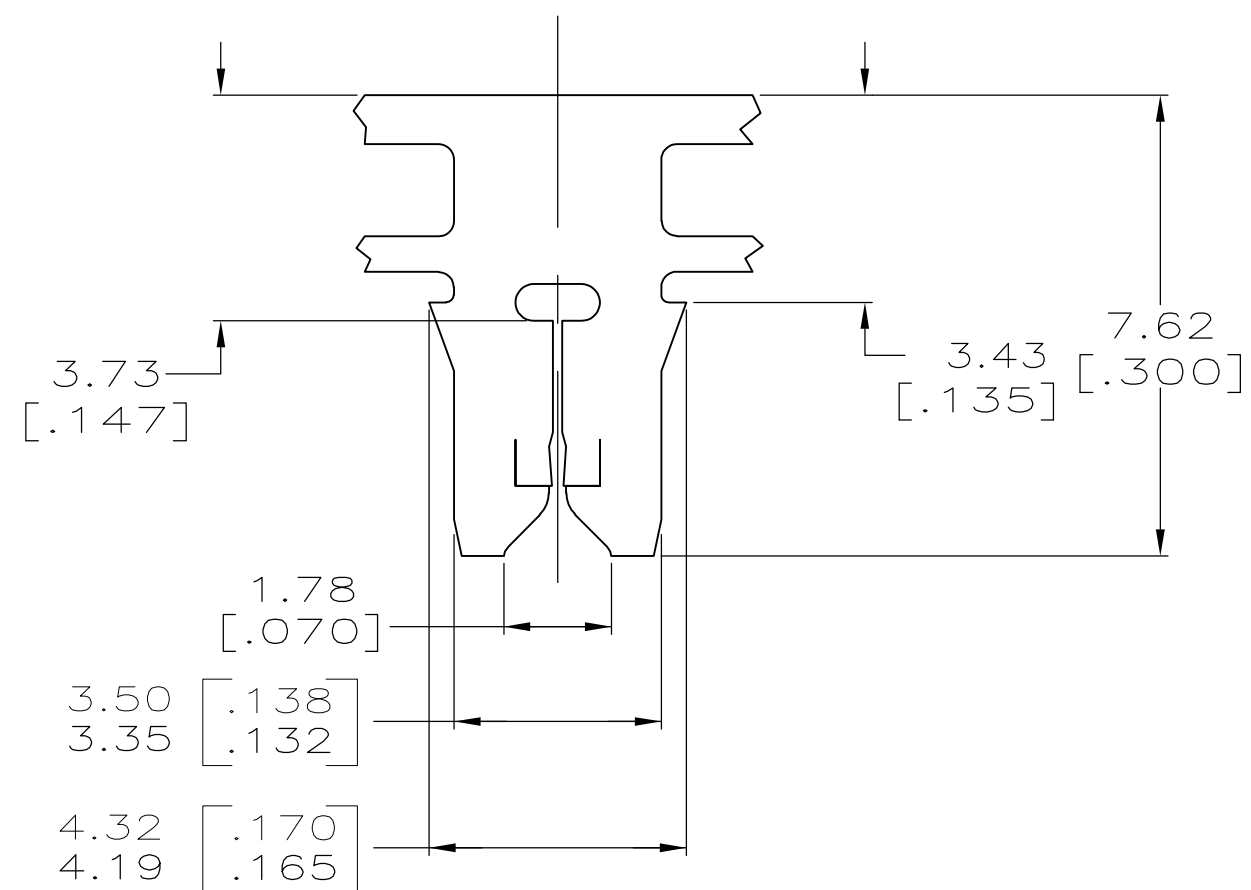
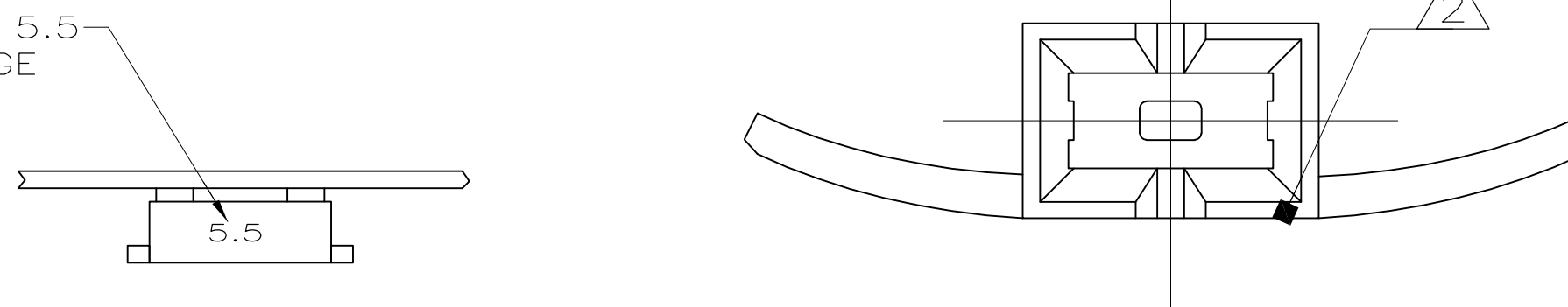


THIS DRAWING IS UNPUBLISHED. RELEASED FOR PUBLICATION
 © COPYRIGHT - By - ALL RIGHTS RESERVED.

LOC		DIST		REVISIONS			
P	LTR	DESCRIPTION		DATE	DWN	APVD	
AF	50	B1	ECR-13-017177	05NOV13	PKS	RRP	

- ① SLOT TERMINATES 0.20-0.25mm [#32-#30] AWG COPPER MAGNET WIRE EITHER SINGLE OR DOUBLE OF THE SAME SIZE.
- ② POINT OF MEASUREMENT, LOCATED APPROXIMATELY AS SHOWN
- 3 CONTINUOUS STRIP ON REELS WITH TERMINALS LOCATED ON 8.38±0.076[.330±.003] CENTERS

IDENTIFICATION NUMBER 5.5 FOR MAGNET WIRE RANGE



63877-1
PART NO.

THIS DRAWING IS A CONTROLLED DOCUMENT.		DWN R.GRZYBOWSKI 5/APR/95	TE Connectivity	
DIMENSIONS: INCHES		CHK M.S.FEHER 9/MAY/95	APVD -	
TOLERANCES UNLESS OTHERWISE SPECIFIED:		PRODUCT SPEC 108-2012	NAME	
0 PLC ± -		APPLICATION SPEC 114-2046	TERMINAL, SPLICE, MAG-MATE™	
1 PLC ± -		WEIGHT -	SIZE A2	CAGE CODE 00779
2 PLC ± 0.25 [.010]		FINISH TIN PLATED	DRAWING NO C=63877	RESTRICTED TO -
3 PLC ± -		CUSTOMER DRAWING		
4 PLC ± -		SCALE 8:1	SHEET 1 of 1	REV B1
ANGLES ± -				

单击下面可查看定价，库存，交付和生命周期等信息

[>>TE Connectivity\(泰科\)](#)