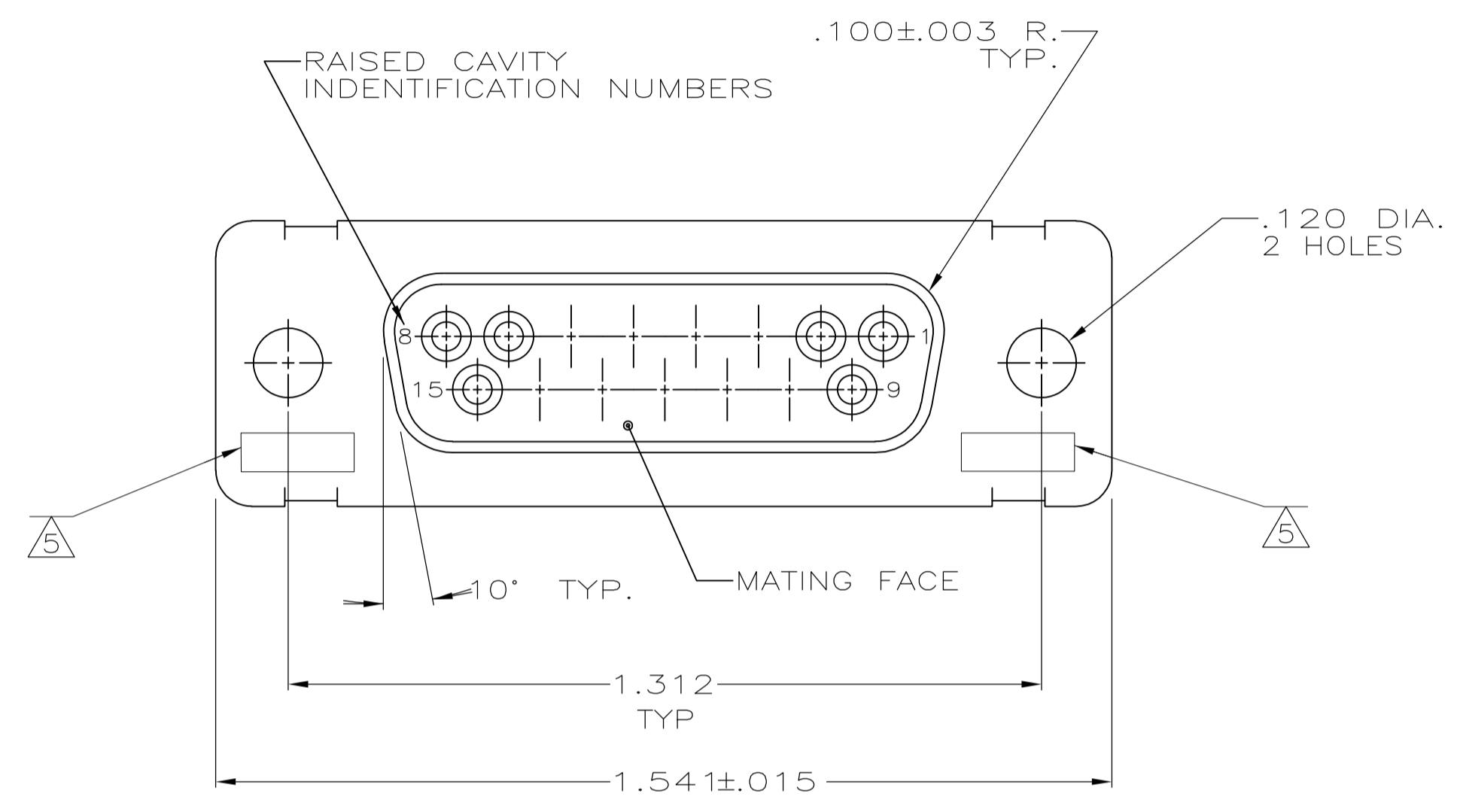
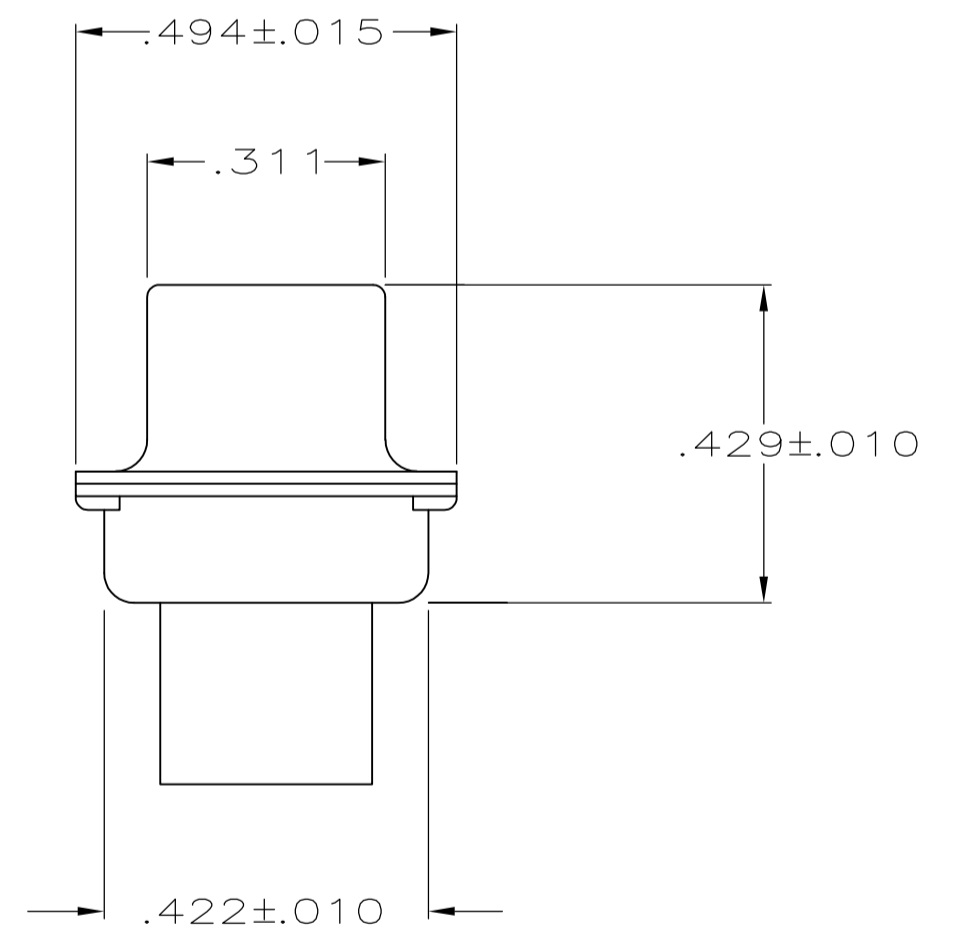
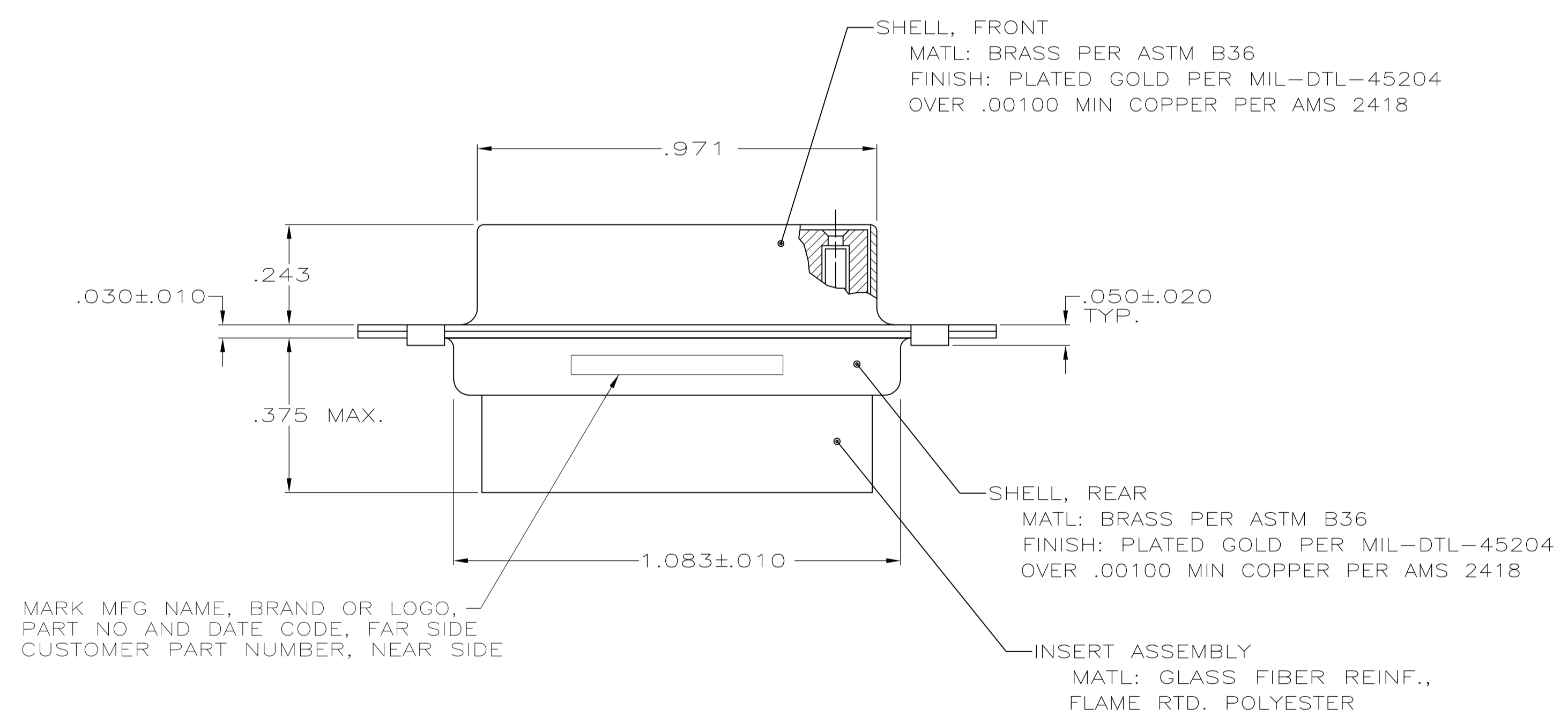


LOC		DIST		REVISIONS			
P	LTR	DESCRIPTION	DATE	DN	APVD		
D		REV PER ECO 08-030664	4-15-09	PY	RL		



1. THIS RECEPTACLE WILL MATE WITH ANY 15 POSN., SIZE 2 PLUG IN THE AMPLIMITE SERIES.
 2. MAXIMUM WIRE INSULATION USED WITH THIS CONNECTOR IS .068 DIA.
 3. BE-CU RETENTION CLIPS ARE INCLUDED IN INSERT.
 4. CONNECTOR SUPPLIED WITHOUT CONTACTS; SHOWN FOR ILLUSTRATION ONLY.
- UL/CSA DESIGNATION STAMPED IN THIS AREA.



1A01-002RHW	1-211614-1
1A01-002RHA	211614-1
CUSTOMER PART NO	PART NO

THIS DRAWING IS A CONTROLLED DOCUMENT.		DIN 11-12-87		Tyco Electronics Corporation	
DIMENSIONS: INCHES		TOLERANCES UNLESS OTHERWISE SPECIFIED:		Tyco Electronics Corporation	
0 PLC ± -		1 PLC ± -		Harrisburg, PA 17105-3608	
1 PLC ± -		2 PLC ± -		NAME	
2 PLC ± -		3 PLC ± .005		F.C. BALLEW III	
3 PLC ± -		4 PLC ± -		PRODUCT SPEC	
4 PLC ± -		ANGLES ± -		APPLICATION SPEC	
MATERIAL SEE CALLOUTS		FINISH SEE CALLOUTS		SIZE CAGE CODE DRAWING NO	
				A1 00779 C=211614	
				RESTRICTED TO	
				CUSTOMER DRAWING	
				SCALE 4:1 SHEET 1 OF 1 REV D	

单击下面可查看定价，库存，交付和生命周期等信息

[>>TE Connectivity\(泰科\)](#)