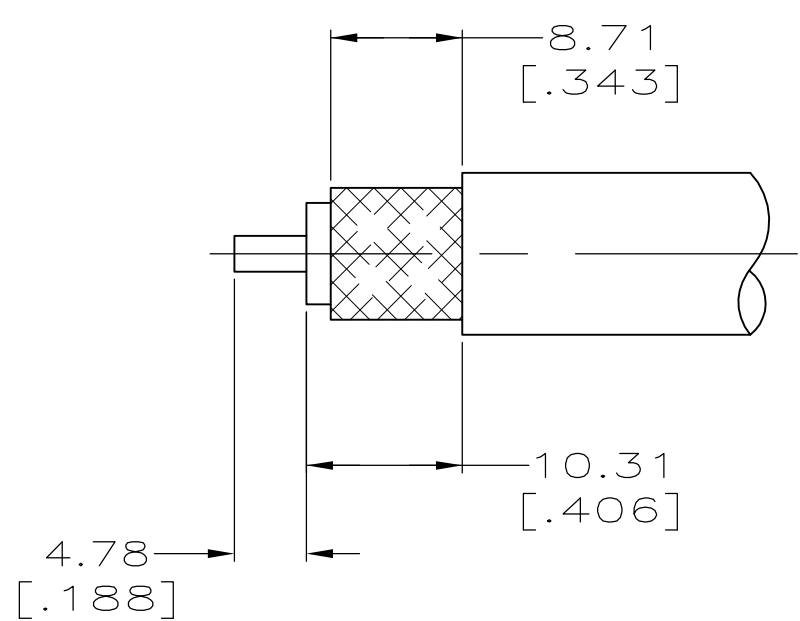


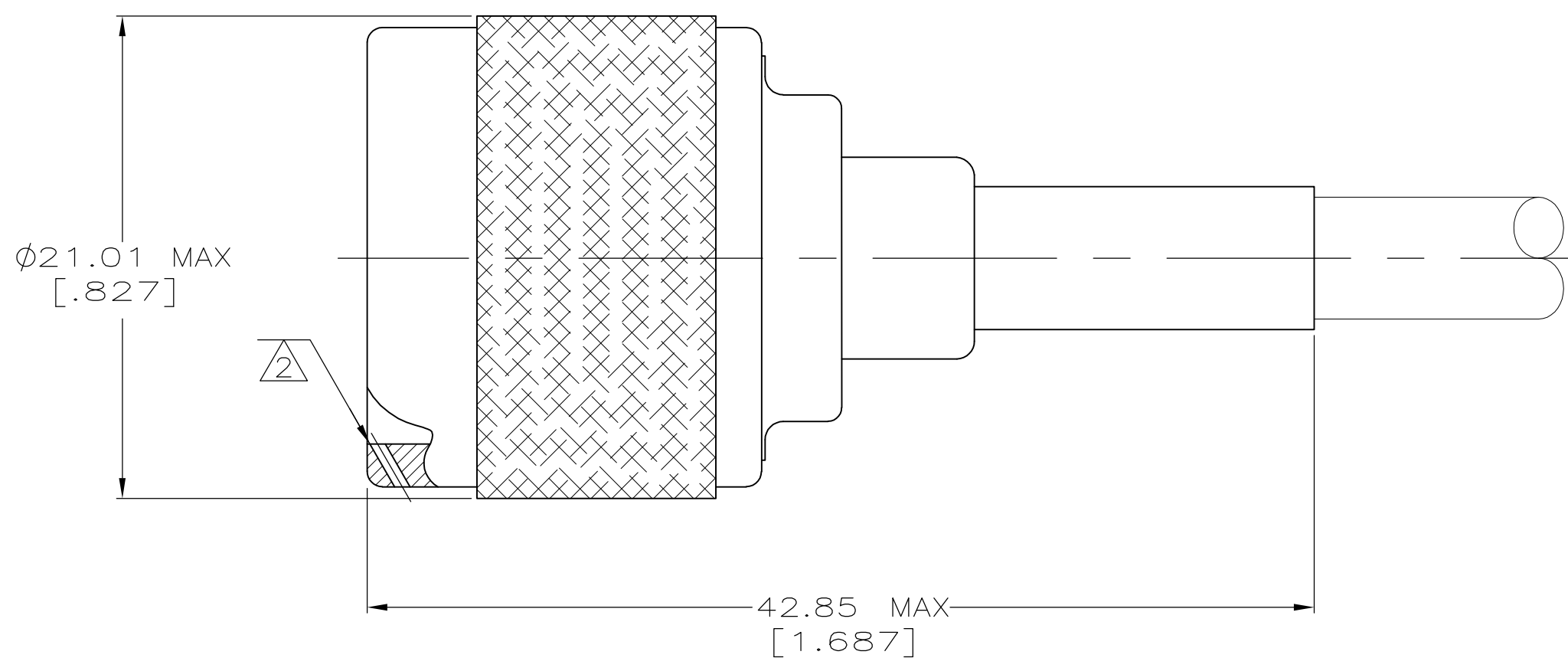
THIS DRAWING IS UNPUBLISHED. RELEASED FOR PUBLICATION
 © COPYRIGHT BY TYCO ELECTRONICS CORPORATION. ALL RIGHTS RESERVED.

LOC	DIST	REVISIONS					
		P	LTR	DESCRIPTION	DATE	DWN	APVD
AJ	16		A	REV PER ECO 06-002539	06APR06	GB	JH
			A1	REVISED PER ECO-09-024606	31OCT09	KK	AEG

1. PARTS PACKAGED UNASSEMBLED.
- ② THREE SAFETY WIRE HOLES $\phi 0.61$ [.024] MIN, EQUALLY SPACED AROUND CIRCUMFERENCE.
3. CRIMP TOOL: 220045-2
4. SEE INSTRUCTION SHEET 408-2028-1
- ⑤ OBSOLETE PARTS: OBSOLETE CIS STREAMLINING PER D.RENAUD/D.SINISI



RECOMMENDED STRIP LENGTH
(SCALE 2:1)



⑤ OBSOLETE	RG-142/U,142A/U & 142B/U	9-225382-1	225343-4	9-225342-0	5225361-4
	RG-55A/U & 223/U	9-225382-1	225343-2	9-225342-0	5225361-2
	RG-58A/U & 58C/U	9-225381-1	225343-2	9-225342-0	5225361-1
	CABLE SIZE	③ FERRULE QTY=1	② CONTACT QTY=1	① PLUG ASSY QTY=1	PART NUMBER

THIS DRAWING IS A CONTROLLED DOCUMENT.

DWN	J. ALCORTA - DOCK5	22APR2005	Tyco Electronics Corporation Harrisburg, PA 17105-3608
CHK	J. HAVENER	22APR2005	
APVD	G. MICHAEL	22APR2005	
NAME	-		
DIMENSIONS:	TOLERANCES UNLESS OTHERWISE SPECIFIED:	PRODUCT SPEC	PLUG, SERIES N
mm [INCHES]	0 PLC ± - 1 PLC ± - 2 PLC ± 0.41 [.016] 3 PLC ± - 4 PLC ± - ANGLES ± -	APPLICATION SPEC	
MATERIAL	FINISH	WEIGHT	RESTRICTED TO
-	-	1.2 OZ MAX	-
CUSTOMER DRAWING		SCALE	4:1
		SHEET	1 of 1
		REV	A1

单击下面可查看定价，库存，交付和生命周期等信息

[>>TE Connectivity\(泰科\)](#)