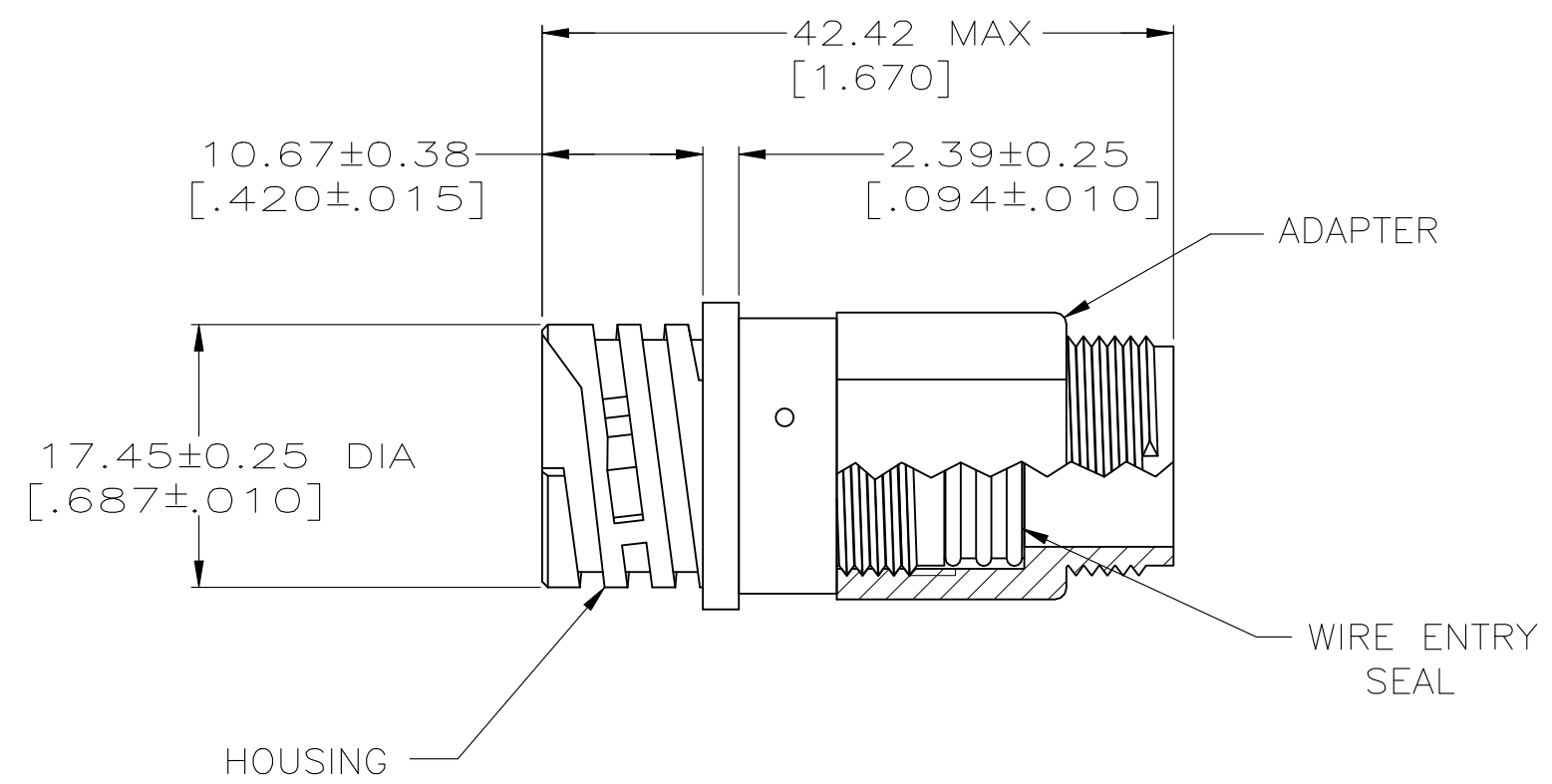
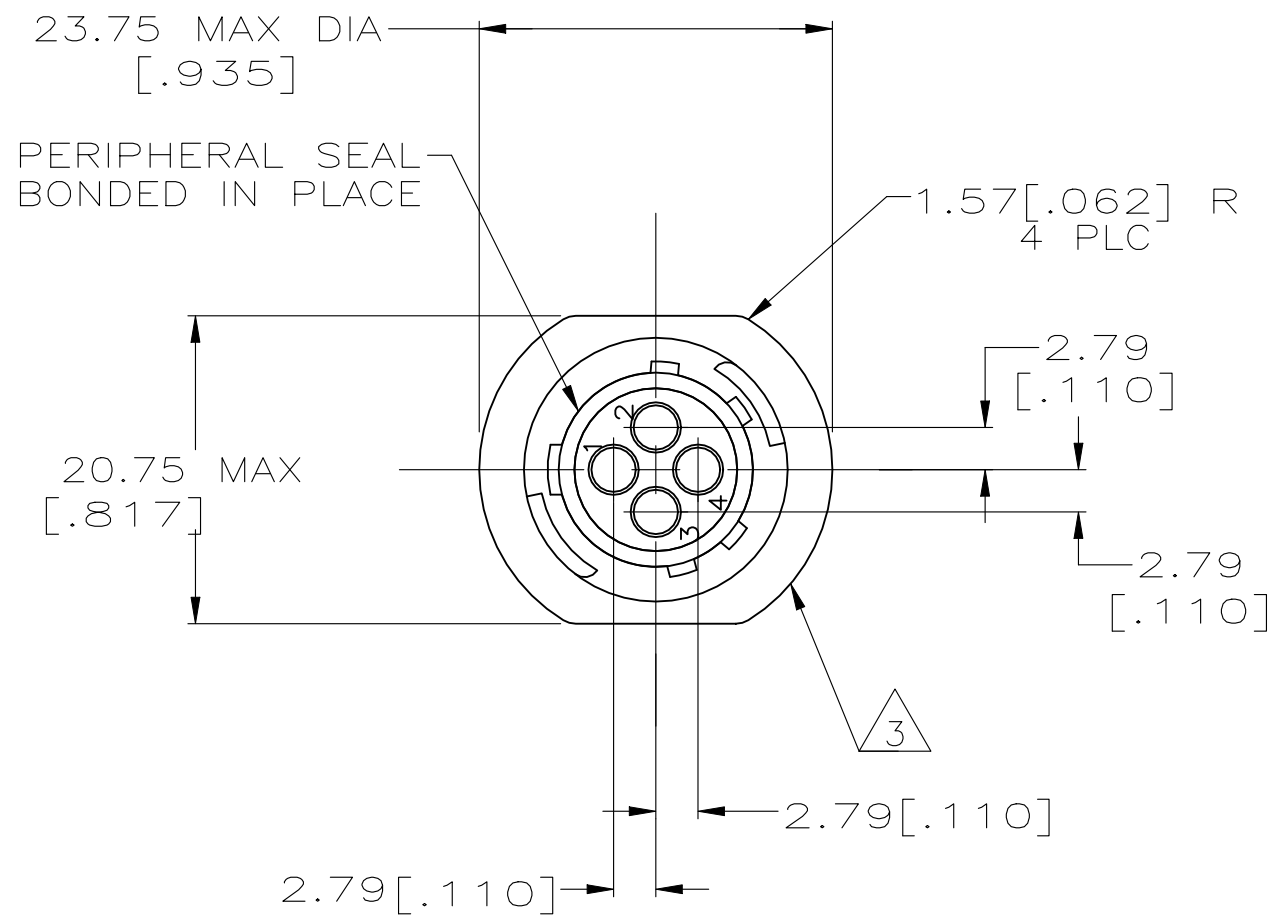


REVISIONS				
P	LTR	DESCRIPTION	DATE	APVD
	B	REVISED PER ECO-21-006945	28OCT2021	RK MZ



788155-2

PART NUMBER

- ① HOUSING & ADAPTER: NYLON 6/6, BLACK.  
WIRE ENTRY SEAL: ELASTOMER, RED.
- 2. THIS CONNECTOR WILL ACCEPT  
FOUR (4) MULTIMATE SOCKET CONTACTS.
- ③ TE LOGO AND PART NUMBER LOCATED ON  
ANY FLANGE EDGE

THIS DRAWING IS A CONTROLLED DOCUMENT.		DWN P.BENNINGHOVE 01 OCT 97	<b>STE</b> TE Connectivity	
DIMENSIONS: MM [INCHES]		CHK K.DOWHOWER 28 OCT 99		
TOLERANCES UNLESS OTHERWISE SPECIFIED:		APVD K.DOWHOWER 28 OCT 99	NAME RECEPTACLE ASSEMBLY, 11-4, REVERSE SEX, SERIES I, SEALED, CPC	
0 PLC ± -		PRODUCT SPEC 108-1579	SIZE A3	
1 PLC ± -		APPLICATION SPEC 114-10038	CAGE CODE 00779	DRAWING NO C-788155
2 PLC ± 0.13 [.005]		WEIGHT -	RESTRICTED TO -	
3 PLC ± -		CUSTOMER DRAWING	SCALE 2:1	SHEET 1 OF 1
4 PLC ± -			REV B	
ANGLES ± -				
FINISH -				

单击下面可查看定价，库存，交付和生命周期等信息

[>>TE Connectivity\(泰科\)](#)