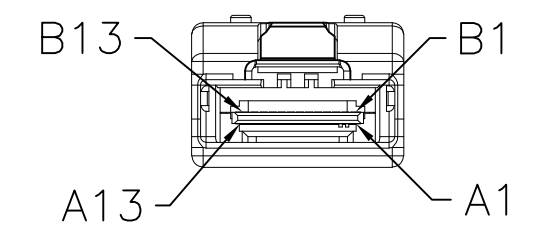
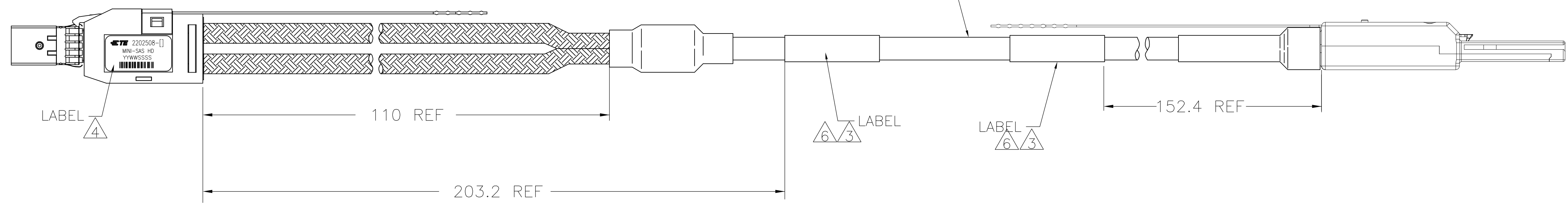
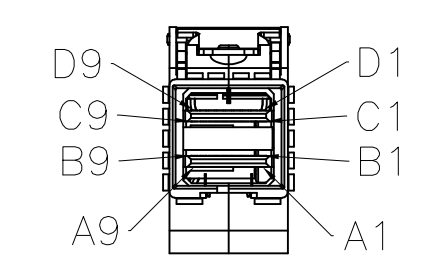
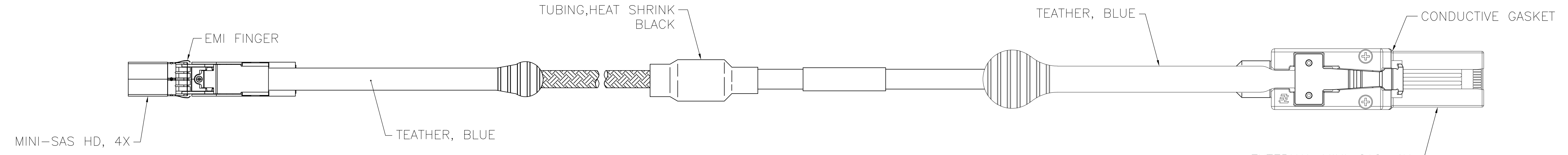
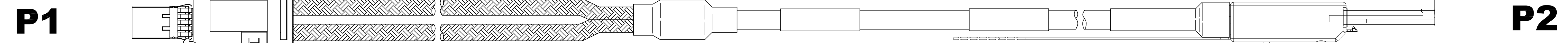
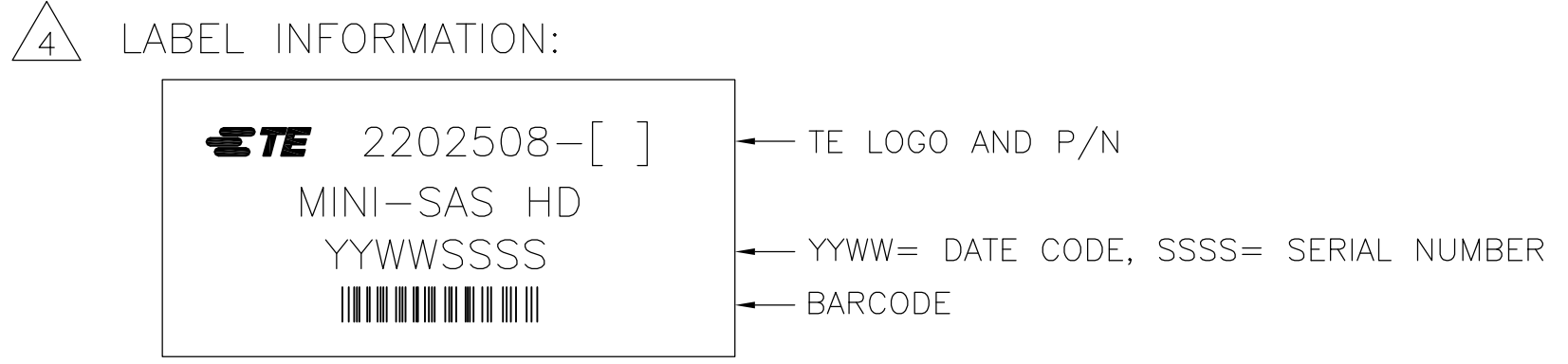
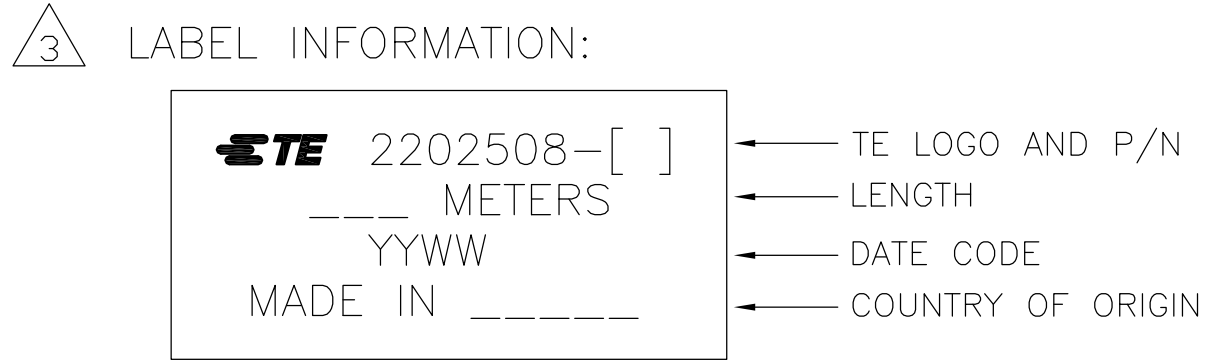


REVISIONS				
P	LTR	DESCRIPTION	DATE	APPD
D	PER	ECO-15-016946	21MAR2016	PL FG



1. ASSEMBLY TESTED FOR CONTINUITY, OPENS, SHORTS, EEPROM PROGRAM AND SIGNAL INTEGRITY.
2. ROHS AND REACH COMPLIANCE: PRODUCT AND PROCESSING MEETS REQUIREMENTS OF TE SPECIFICATION TEC-138-702.



5, MINI-SAS HD EEPROM PROGRAMMED PER 2202508\_EEPROM.

6 -1 ONLY: LABEL IS APPLIED TO THE CENTER OF CABLE ASSEMBLY.

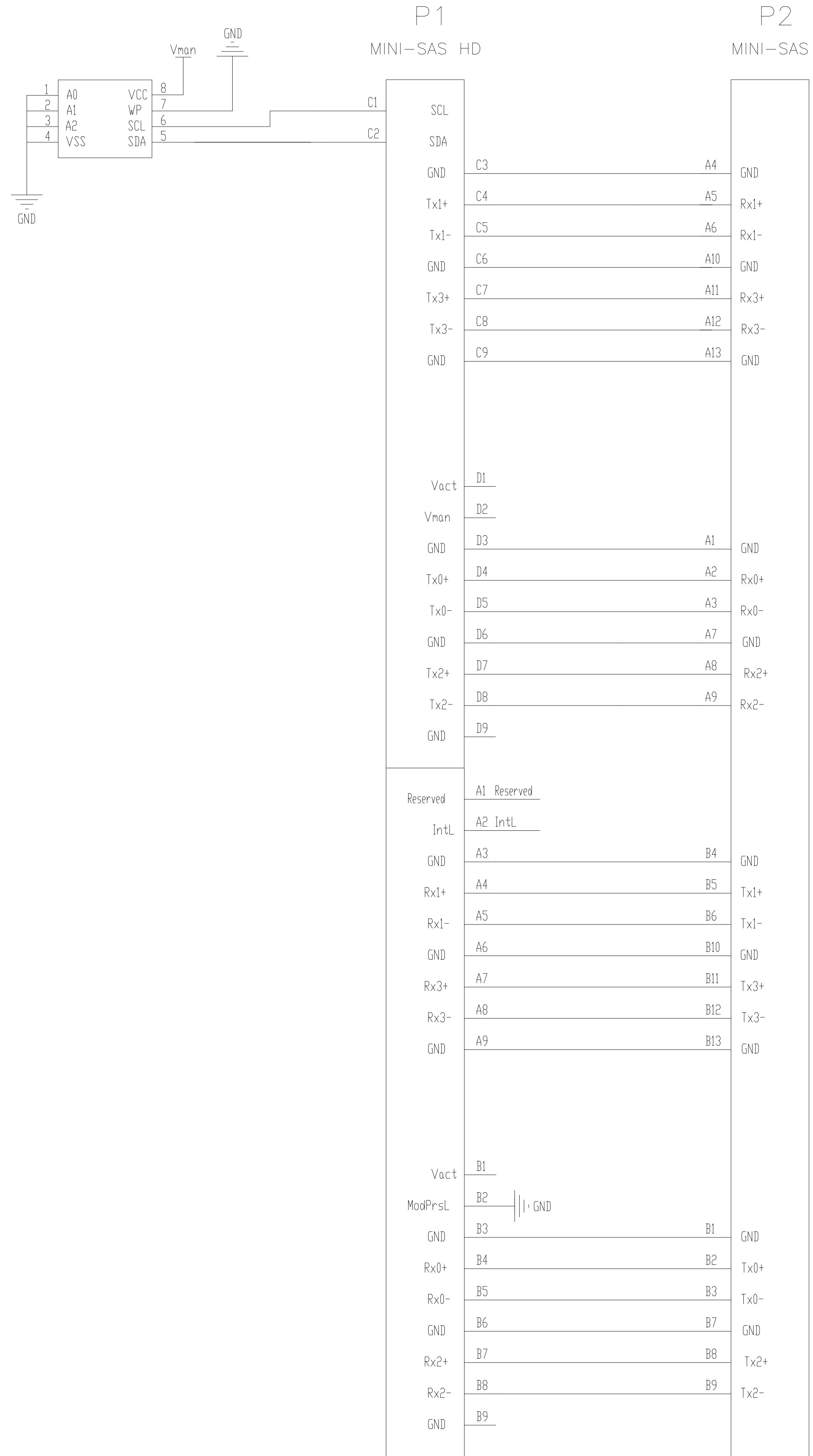
5	+0.1 -0	METERS	2202508-6
4	+0.08 -0	METERS	2202508-5
3	+0.08 -0	METERS	2202508-4
2	+0.08 -0	METERS	2202508-3
1	+0.08 -0	METERS	2202508-2
0.5	+0.05 -0	METERS	2202508-1 6
L			PART NO

THIS DRAWING IS A CONTROLLED DOCUMENT.

DIMENSIONS:	TOLERANCES UNLESS OTHERWISE SPECIFIED:	DIN P.LI 09MAR2012	APVD J.MEYERS 09MAR2012	NAME
mm	0. PLC ± - 1. PLC ± - 2. PLC ± - 3. PLC ± - 4. PLC ± - ANGLES ± -	CHK J.MEYERS 09MAR2012	APVD J.MEYERS 09MAR2012	CABLE ASSEMBLY, 28 AWG TURBOTWIN, MINI-SAS HD, 4X TO MINI-SAS, 4X
MATERIAL	FINISH	SIZE	CAGE CODE	DRAWING NO
-	-	A1	00779	2202508
CUSTOMER DRAWING		SCALE	SHEET	REV
		1:1	1 OF 2	D

STE TE Connectivity

REVISIONS				
P	LTR	DESCRIPTION	DATE	OWN
-	-	SEE SHEET 1	-	-



THIS DRAWING IS A CONTROLLED DOCUMENT.		DIN P. LI 09MAR2012	TE Connectivity
DIMENSIONS: mm		CHK: J. MEYERS 09MAR2012	
		APVD: J. MEYERS 09MAR2012	NAME: CABLE ASSEMBLY, 28 AWG TURBOTWIN, MINI-SAS HD, 4X TO MINI-SAS, 4X
TOLERANCES UNLESS OTHERWISE SPECIFIED:		PRODUCT SPEC	APPLICATION SPEC
0. PLC ± -		SIZE: A1	CAGE CODE: 00779
1. PLC ± -		DRAWING NO: C=2202508	RESTRICTED TO
2. PLC ± -		WEIGHT: 0	
3. PLC ± -		CUSTOMER DRAWING	SCALE: 1:1
4. PLC ± -			SHEET 2 OF 2
ANGLES ± -			REV D

单击下面可查看定价，库存，交付和生命周期等信息

[>>TE Connectivity\(泰科\)](#)