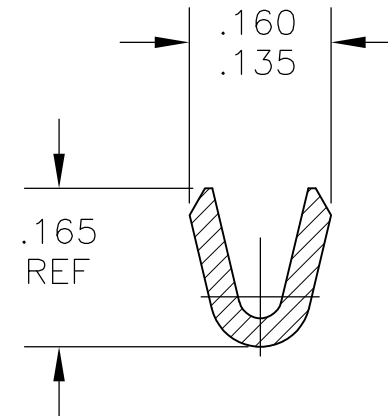
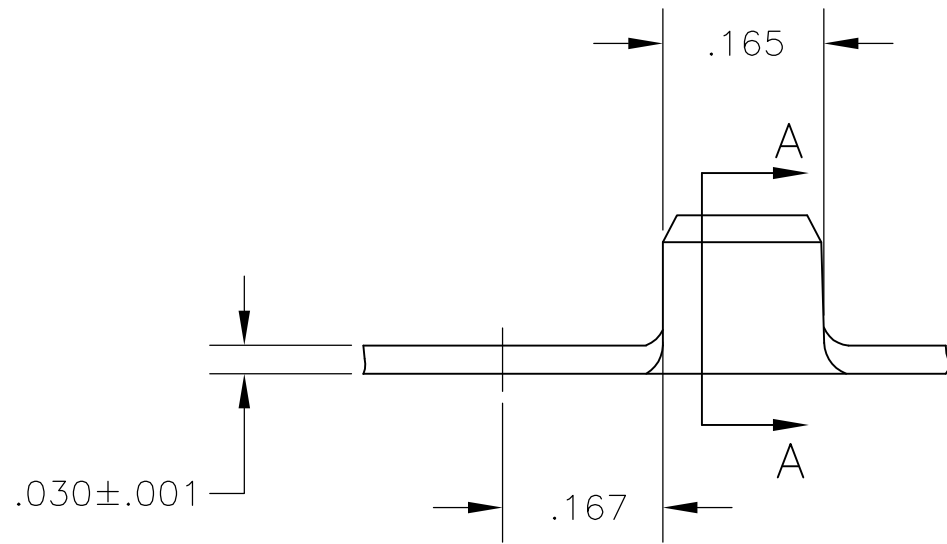
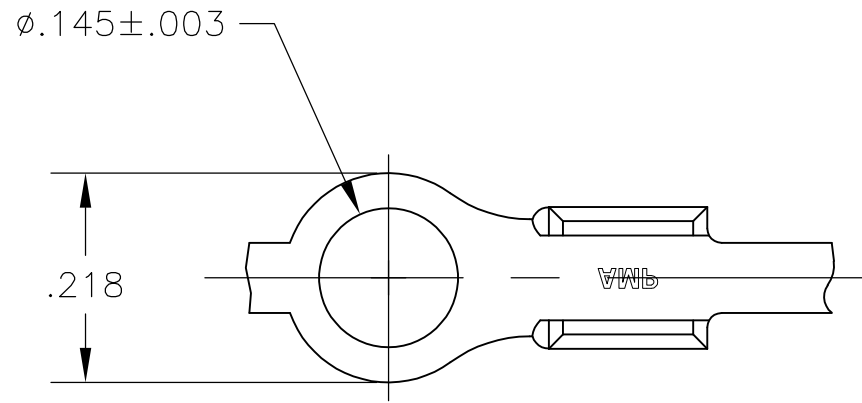


THIS DRAWING IS UNPUBLISHED. RELEASED FOR PUBLICATION  
 © COPYRIGHT - BY TYCO ELECTRONICS CORPORATION. ALL RIGHTS RESERVED.

LOC	DIST	REVISIONS			
P	LTR	DESCRIPTION	DATE	DWN	APVD
AF	50	B	REVISED PER ECR-10-006099	07JUL10	HMR PD

- CONTINUOUS STRIP ON REELS
- WIRE SIZE IS #20-#16 AWG



SECTION A-A

40976  
 PART NO

THIS DRAWING IS A CONTROLLED DOCUMENT.		DWN jr_ruth	10MAR06	Tyco Electronics Corporation Harrisburg, PA 17105-3608	
DIMENSIONS: INCHES	TOLERANCES UNLESS OTHERWISE SPECIFIED:	CHK D DECKER	10MAR06	NAME	
	0 PLC ± -	APVD D DECKER	10MAR06	PRODUCT SPEC	
	1 PLC ± -	PRODUCT SPEC		APPLICATION SPEC	
MATERIAL	FINISH	WEIGHT		SIZE	CAGE CODE
T1 BRASS	TIN	-		A3	00779
CUSTOMER DRAWING			SCALE	DRAWING NO	RESTRICTED TO
			5:1	G-40976	-
			SHEET	REV	
			1 OF 1	B	

单击下面可查看定价，库存，交付和生命周期等信息

[>>TE Connectivity\(泰科\)](#)