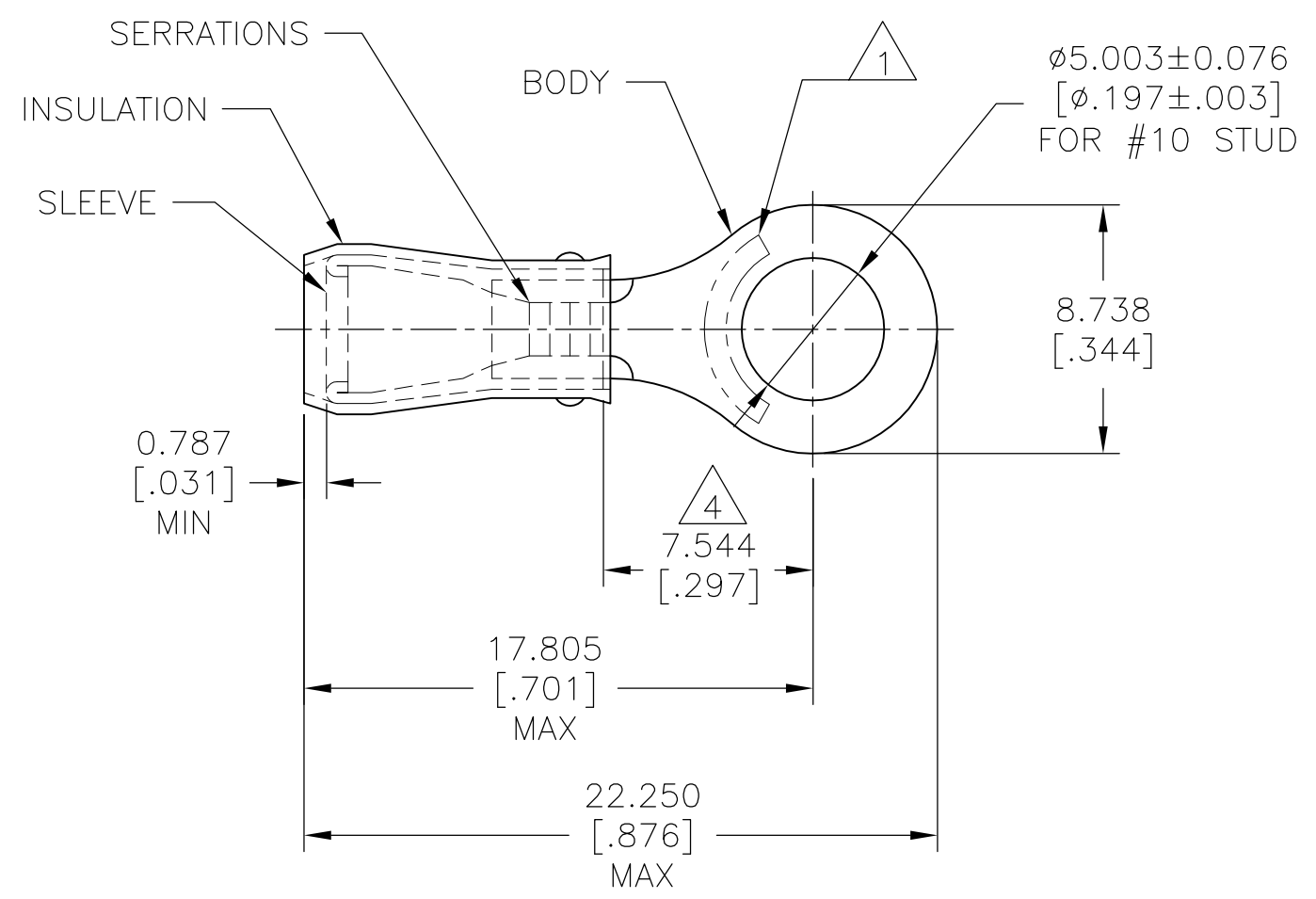


REVISIONS					
P	LTR	DESCRIPTION	DATE	DWN	APVD
J1		REVISED PER ECO-11-004820	11MAR11	RK	HMR
J2		REVISED PER ECO-17-007400	30NOV2017	RS	DR



AMP WIRE RANGE	E13288 Listed	LR7189 Certified
22-16 AWG SOLID OR STRANDED	22-16 AWG SOLID OR STRANDED	22-16 AWG SOLID OR STRANDED

- 1 STAMP AMP 22-18* APPROX AS SHOWN
22-16 TERMINALS ARE STAMPED 22-18 IN
ACCORDANCE WITH MILITARY SPEC SAE AS 7928
COMMERCIAL WIRE RANGE IS 22-16
- 2 WIRE INSULATION: $\phi 2.667-3.556[\phi .105-.140]$
- 3 BODY MATERIAL THK: $0.787\pm 0.051[.031\pm .002]$
- 4 APPLIES FROM EDGE OF METAL WIRE BARREL TO
CENTER OF STUD HOLE

5000	ON TAPE, REEL	32837-1
1000	LOOSE PIECE	32837
QTY	PACKAGE TYPE	PART NO.

AMP INCORPORATED CUSTOMER SERVICE SYSTEMS		THIS DRAWING IS A CONTROLLED DOCUMENT.		DWN DK SCHRUM 02/11/93	TE Connectivity		
FOR ADDITIONAL PRODUCT INFORMATION OR COPIES OF DRAWINGS AND TECHNICAL DOCUMENTS		MAX RECOMMENDED OPERATING TEMPERATURE: 105°C[221°F] MAX		CHK RE HERSEY 4/28/93			
FOR APPLICATION TOOLING ASSISTANCE CENTER		VOLTAGE RATING: 300 V MAX		APVD ML ELLIS 4/28/93	SIZE A300779		
TOOLING INFORMATION 1-800-722-1111		WIRE CROSS SECTIONAL AREA RANGE, 0.26-1.65mm²[509-3,260] SOLID OR STRANDED		PRODUCT SPEC UL 486 A-B			
FOR ORDER ENTRY 1-800-526-5142		MATERIAL COPPER ASTM B-152 SLEEVE, RED NYLON		APPLICATION SPEC 114-2157	RESTRICTED TO -		
		FINISH TIN PLATE PER ASTM B545		WEIGHT -			
				CUSTOMER DRAWING	SHEET 1 OF 1		

单击下面可查看定价，库存，交付和生命周期等信息

[>>TE Connectivity\(泰科\)](#)