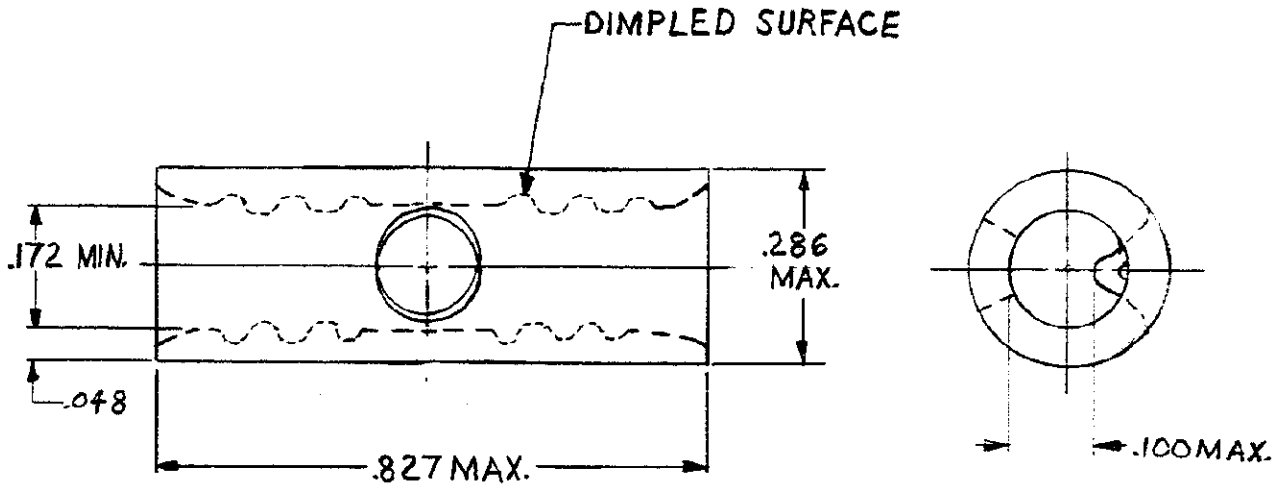


NUMBER
328605



PART NO.	FINISH
328605	GOLD PLATED
2328605-1	HIGH TEMP GOLD PLATED

MAX FEATURE LENGTH DOES NOT INCLUDE MANUFACTURING TABS.

DIMENSIONS IN INCHES. DO NOT SCALE PRINT.

CUSTOMER COPY
REFERENCE ONLY

MATERIAL AND FINISH

COPPER
ANNEALED

TE

TE Connectivity

CLASS BUTT

WIRE RANGE 8 INSULATION H

TYPE SOLISTRAND

TOLERANCE EXCEPT AS NOTED ± .015 ± 1° 0'

SCALE 1/1

LOC G A NO 328605

REV D1

NAME

WIRE SPLICE

DI	REVISED PER ECO-16-010674	08AUG2016	NK	DR
REV	DESCRIPTION	DATE	CHK	APVD
DR	<i>T. Bentley 4-5-62</i>	DE		
CHK		APP		

PRINT/DRAWN
14

单击下面可查看定价，库存，交付和生命周期等信息

[>>TE Connectivity\(泰科\)](#)