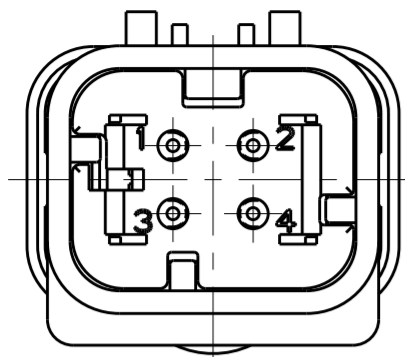
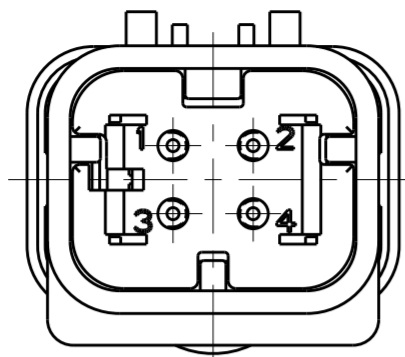


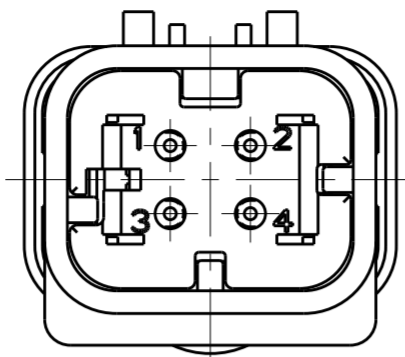
REVISIONS					
P	LTR	DESCRIPTION	DATE	DWN	APVD
G		REVISED	20AUG2011	H.U	N.Y
H		REVISED PER ECR-14-000206	26DEC2013	PV	RB



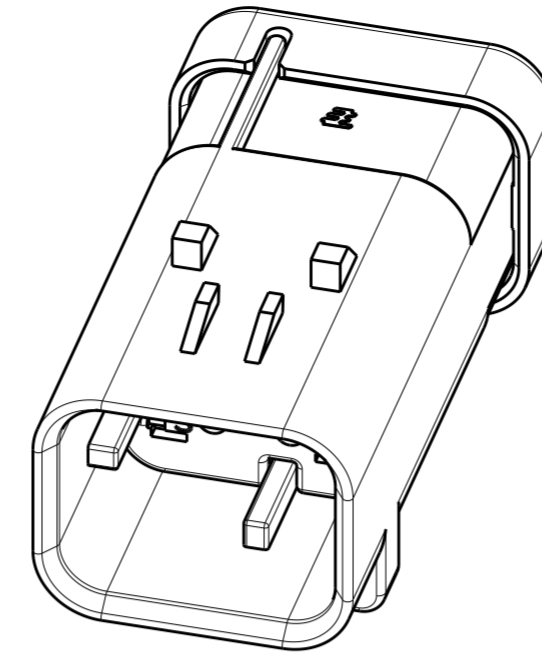
1871414-2  
SCALE 2:1



1871414-3  
SCALE 2:1



1871414-4  
SCALE 2:1

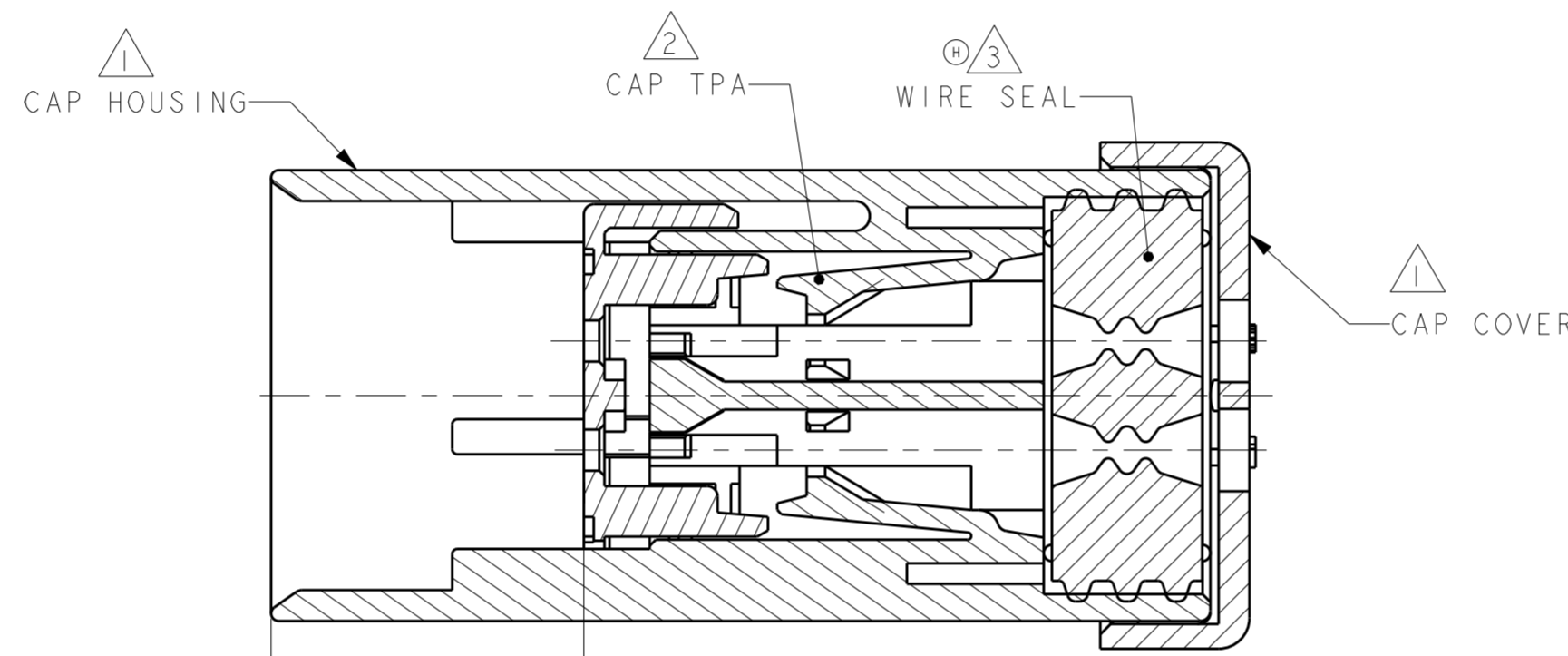


SCALE 2:1

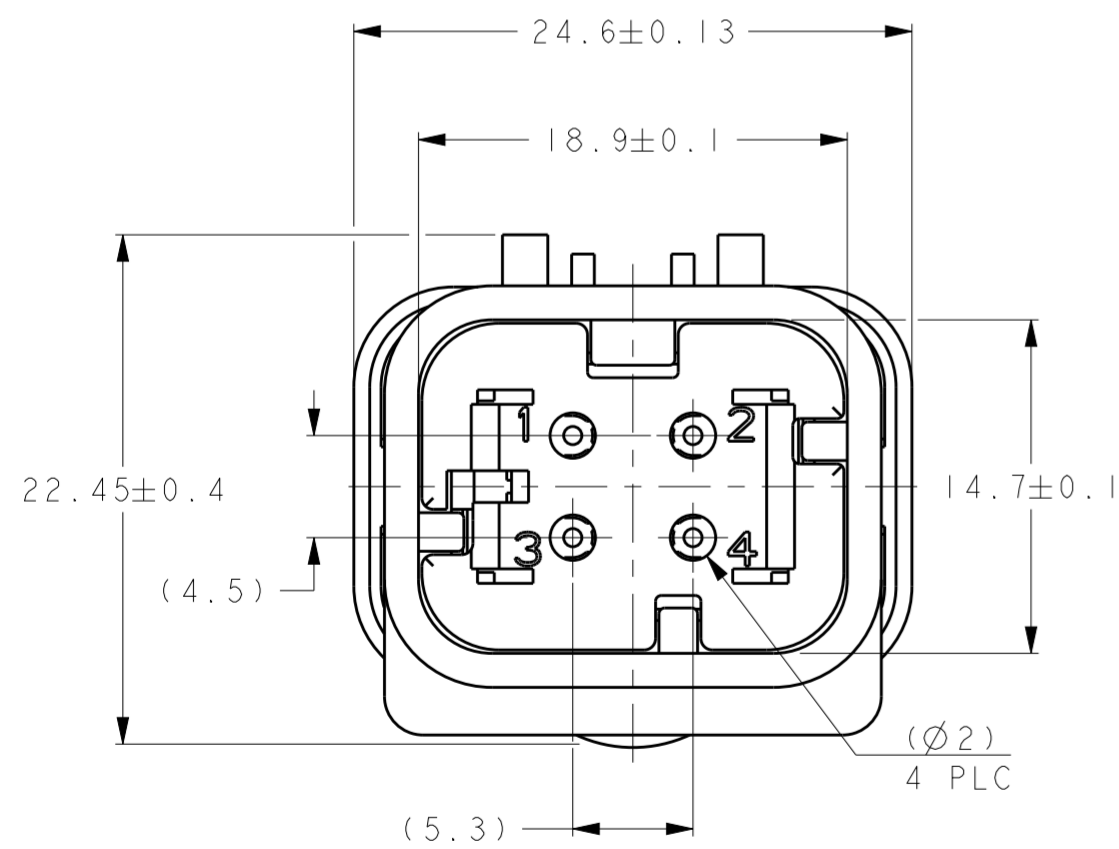
- ① MATERIAL: 15% GLASS FILLED THERMOPLASTIC  
COLOR: BLACK
- ② MATERIAL: 15% GLASS FILLED THERMOPLASTIC  
COLOR: (SEE TABLE)
- ③ MATERIAL: SILICONE  
COLOR: RUST

4. WIRE INSULATION RANGE:  $\varnothing 1.3 \sim \varnothing 2.3$

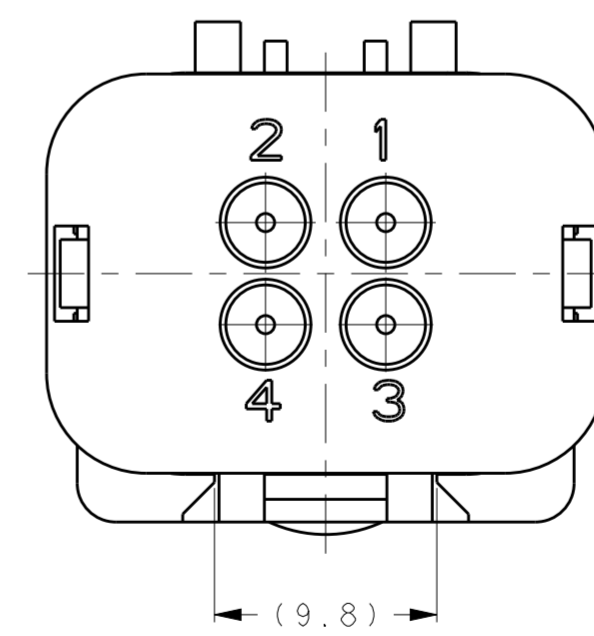
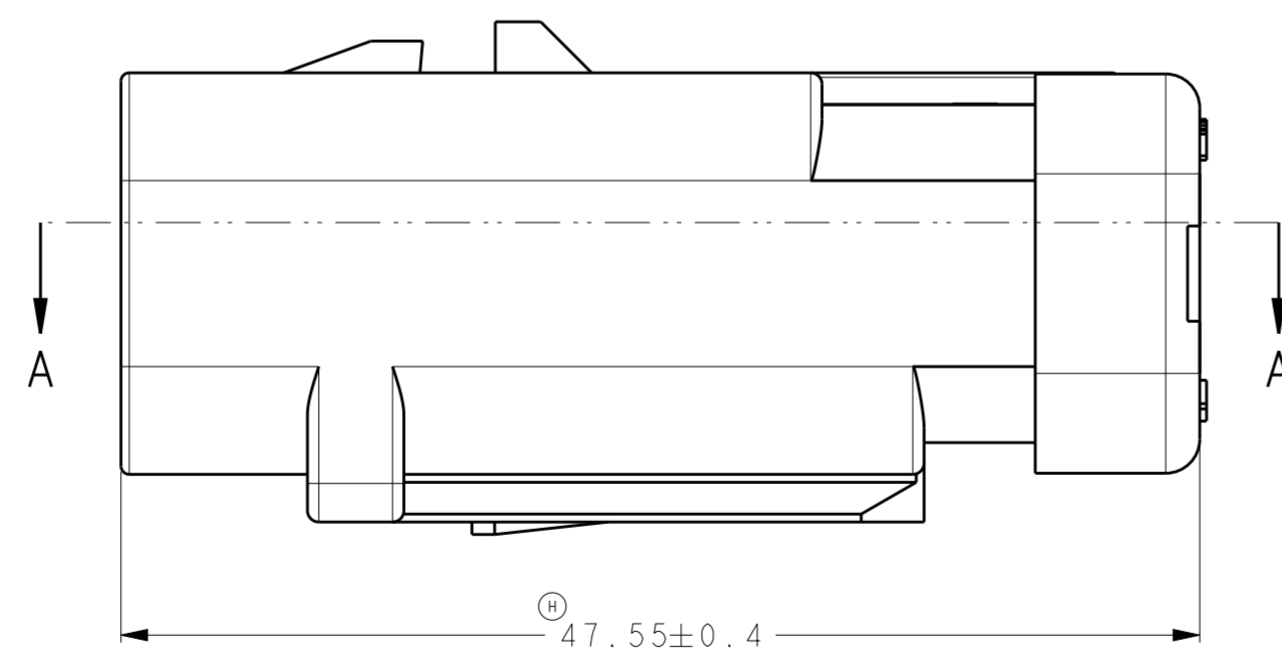
⑤ OBSOLETE PARTS: OBSOLETE CIS STREAMLINING PER D.RENAUD/ D.SINISI



A - A  
OPEN POSITION



1871414-1 SHOWN



TPA COLOR	PART NUMBER
GREEN	1871414-4
YELLOW	1871414-3
GRAY	1871414-2
RED	1871414-1

⑤  
**OBSOLETE**

THIS DRAWING IS A CONTROLLED DOCUMENT.		DWN Y. KATO 21DEC2005	TE Connectivity	
		CHK J. AKASAKA 28DEC2005		
		APVD D. MITSUGI 28DEC2005	NAME CAP ASSY, 4 POS. BRACKET REVERSE TYPE SMALL WIRE SIZE AMP SEAL 16	
DIMENSIONS: mm		PRODUCT SPEC 108-2184	SIZE A2	CAGE CODE 0779
TOLERANCES UNLESS OTHERWISE SPECIFIED: 0 PLC ± 1 PLC ± 2 PLC ± 3 PLC ± 4 PLC ± ANGLES ± FINISH -		APPLICATION SPEC 114-13065	DRAWING NO C-1871414	RESTRICTED TO -
MATERIAL -		WEIGHT -	SCALE 3:1	SHEET OF REV H

单击下面可查看定价，库存，交付和生命周期等信息

[>>TE Connectivity\(泰科\)](#)