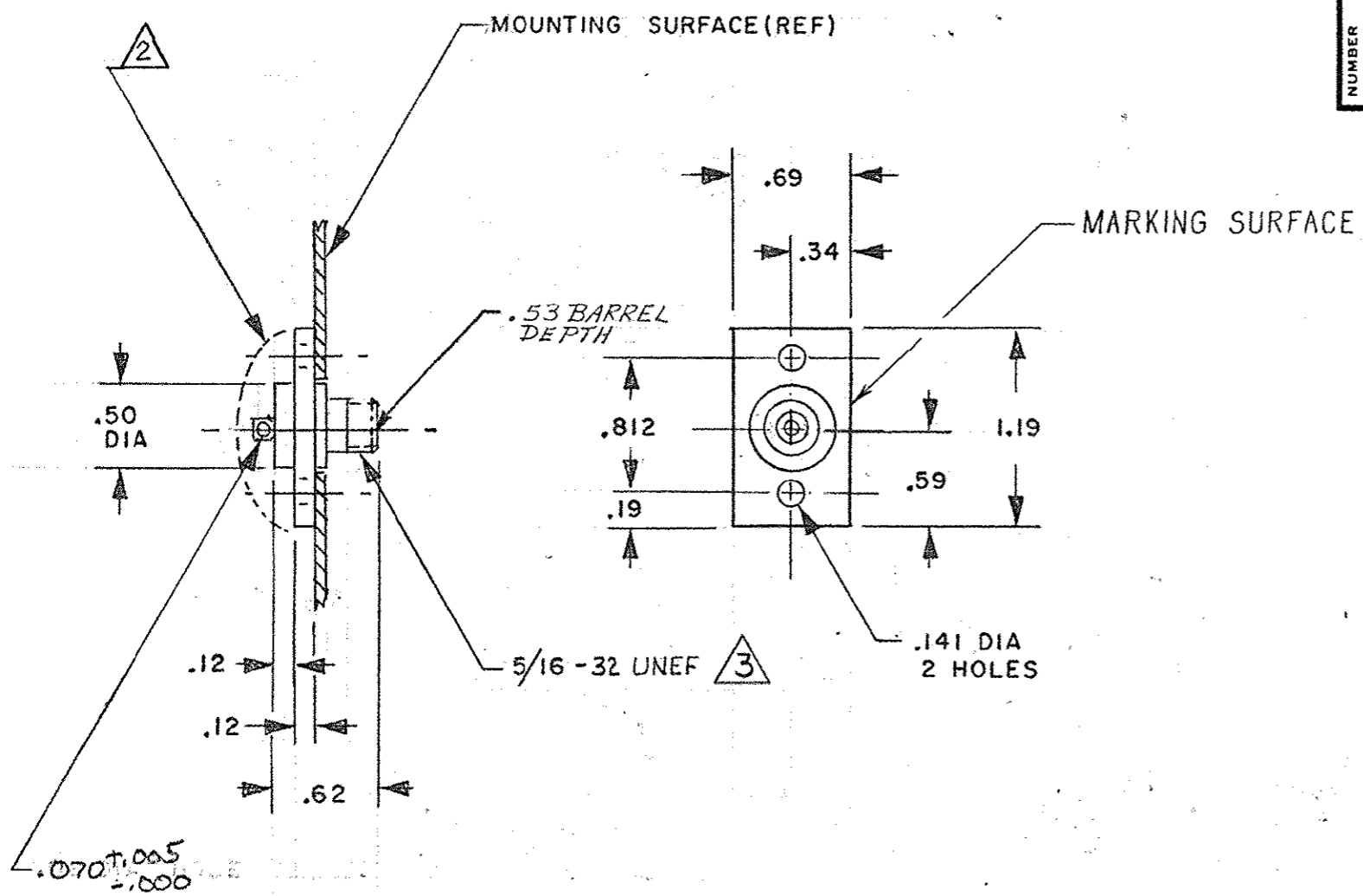


© 1966 BY AMP INCORPORATED. ALL RIGHTS RESERVED. AMP PRODUCTS COVERED BY PATENTS AND/OR PATENTS PENDING.

NUMBER 846349

REVISIONS				
ZONE	SYM	DESCRIPTION	DATE	APPROVAL
	-	WAS SK-20518A & SD 20534D		
	A	ADDED .53 BARREL DEPTH	8-19-68	Ken K
	B	REV. MAT. & FINISH	10-14-70	Ken K
	C	REVISED PER ECN 4349	D.S. 5-22-74	M.S.
	D	ADDED MARKING NOTE	KH 8-23-76	M.S.
	E	REV. PER E.C.N 8595	AG 1-30-79	M.S.
	F	REV PER ECN 5-3960	9/20/87	R8
✓	G	REV PER 0600-1103-93	CT 3-94	DW
	H	REV PER 0414-0192-05	1-06	PY



1. RECEPTACLE TO MATE WITH AMP LGH 1/2L LEAD ASSEMBLY, AVAILABLE SEPARATELY. WHEN MATING LEAD ASSEMBLY WITH RECEPTACLE, APPLY SILICONE GREASE PER 830800 INSTRUCTIONS.
2. PROTECT THIS END, IF NOT ENCAPSULATED, AGAINST VOLTAGE BREAKDOWN, IF BULKHEAD &/OR MOUNTING HARDWARE IS METALLIC &/ AT GROUND POTENTIAL
3. PER FEDERAL STANDARD H-28 3 WIRE METHOD. DIMENSION OVER WIRES TO BE: .307-.318.

5-846349-1	TIN PLATED PIN
846349-1	TIN-LEAD PLATED PIN

REQD	SIZE	ITEM	PART NO	DESCRIPTION	MATL	MATL SPEC
-1				LIST OF MATERIAL		

UNLESS OTHERWISE SPECIFIED				SIGNATURE		DATE		NAME	
DIMENSIONS ARE IN INCHES				<i>[Signature]</i>		9-9		FLANGED RECEPTACLE ASSY	
TOLERANCES ON FRACTIONS				CHK		66		LGH-1/2L	
= .03				DSGN ENGR				(FOR BULKHEAD APPLICATION)	
= .015				APPD		9-9		AMP INCORPORATED	
MATERIAL				<i>[Signature]</i>		66		CAPITRON DIVISION	
MOLDED GLASS EPOXY								ELIZABETHTOWN	
HEAT TREAT								PENNSYLVANIA	
H								LOC PRINT DIST	
FINISH								CODE IDENTIFICATION	
BLACK								00779	
NEXT ASSY		USED ON		SCALE 1/1		WT		SIZE	
APPLICATION		QTY REQD						B	
								NUMBER	
								846349	
								SHEET 1 OF 1	

THIS PRODUCT DESIGNED AND BUILT BY AMP INCORPORATED. NO LICENSE TO USE THAT DESIGN IN MANUFACTURE, OR TO USE ANY ISSUED OR PENDING PATENTS WHICH ARE INVOLVED, IS IMPLIED.

单击下面可查看定价，库存，交付和生命周期等信息

[>>TE Connectivity\(泰科\)](#)