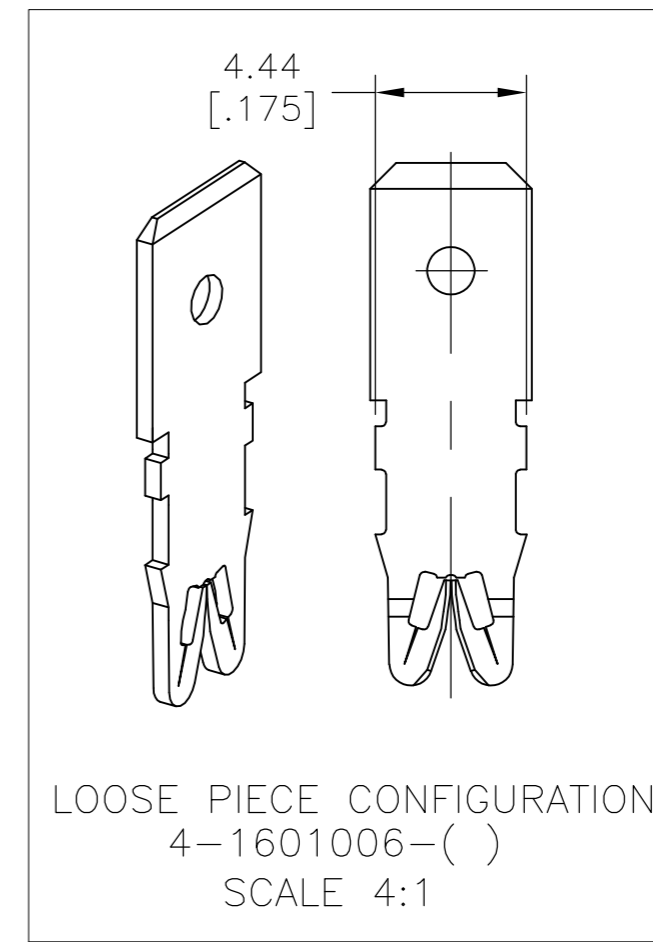
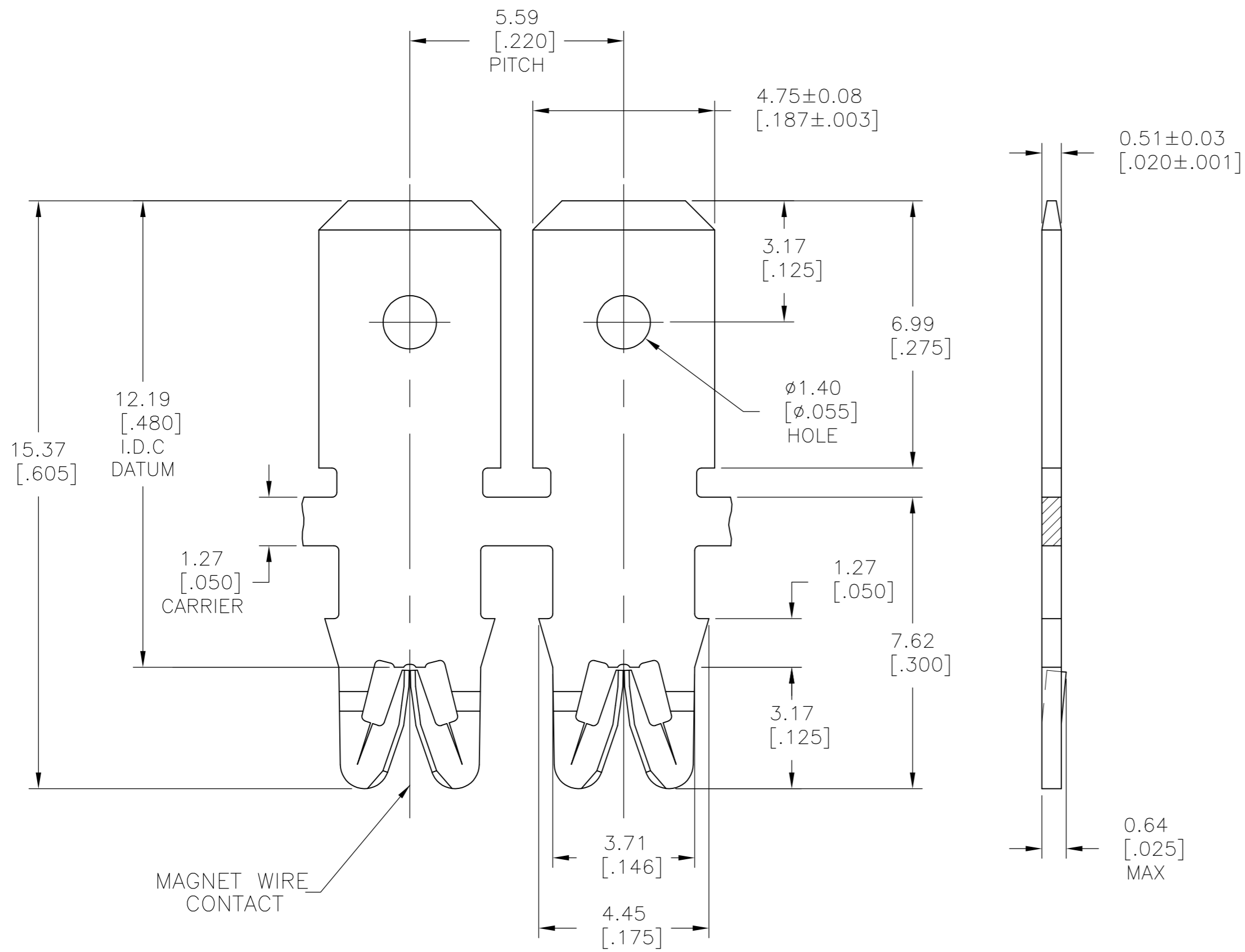


THIS DRAWING IS UNPUBLISHED. RELEASED FOR PUBLICATION
 © COPYRIGHT BY TYCO ELECTRONICS CORPORATION. ALL INTERNATIONAL RIGHTS RESERVED.

LOC	DIST	REVISIONS			
P	LTR	DESCRIPTION	DATE	DWN	APVD
AF	50	B2	REVISED PER ECR-10-013120	24JUN10	HMR GJ



- 1 SPECIFICATIONS:
MAGNET WIRE #18- #34 AWG. 1.02[.040]-0.16[.006] DIA COPPER, OTHER SIZES MAY BE ACCOMMODATED, CONSULT TYCO ELECTRONICS FOR APPROVAL.
- 2 POCKET RECOMMENDATION: # 1601423
- 3 TERMINAL APPLICATION TO COMPLY WITH TYCO ELECTRONICS SPECIFICATION #114-13166, FIG. 6.
- 4 TWO(2) TERMINALS SHOWN FOR ILLUSTRATION PURPOSES ONLY.



-	-	-
-	-	-
-	-	-
-	-	-
Pre Tin Plate	031-015-002	4-1601006-2
Pre Tin Plate	131-015-002	1601006-2
FINISH	REFERENCE PART NUMBER	TE PART NUMBER
THIS DRAWING IS A CONTROLLED DOCUMENT.		
DIMENSIONS: mm [INCHES] TOLERANCES UNLESS OTHERWISE SPECIFIED: 0 PLC ± - 1 PLC ± - 2 PLC ± 0.13[.005] 3 PLC ± - 4 PLC ± - ANGLES ± 2°		DWN J.WELLER 11JAN2002 CHK M.FEHER 11JAN2002 APVD K.RANDOLPH 11JAN2002 PRODUCT SPEC 108-2085 APPLICATION SPEC 3
MATERIAL BRASS, SPRING HARD		FINISH SEE TABLE
WEIGHT -		SIZE A2
CUSTOMER DRAWING		CAGE CODE 00779
DRAWING NO C=1601006		RESTRICTED TO -
SCALE 9:1		SHEET 1 OF 1
REV B2		

1601006

单击下面可查看定价，库存，交付和生命周期等信息

[>>TE Connectivity\(泰科\)](#)