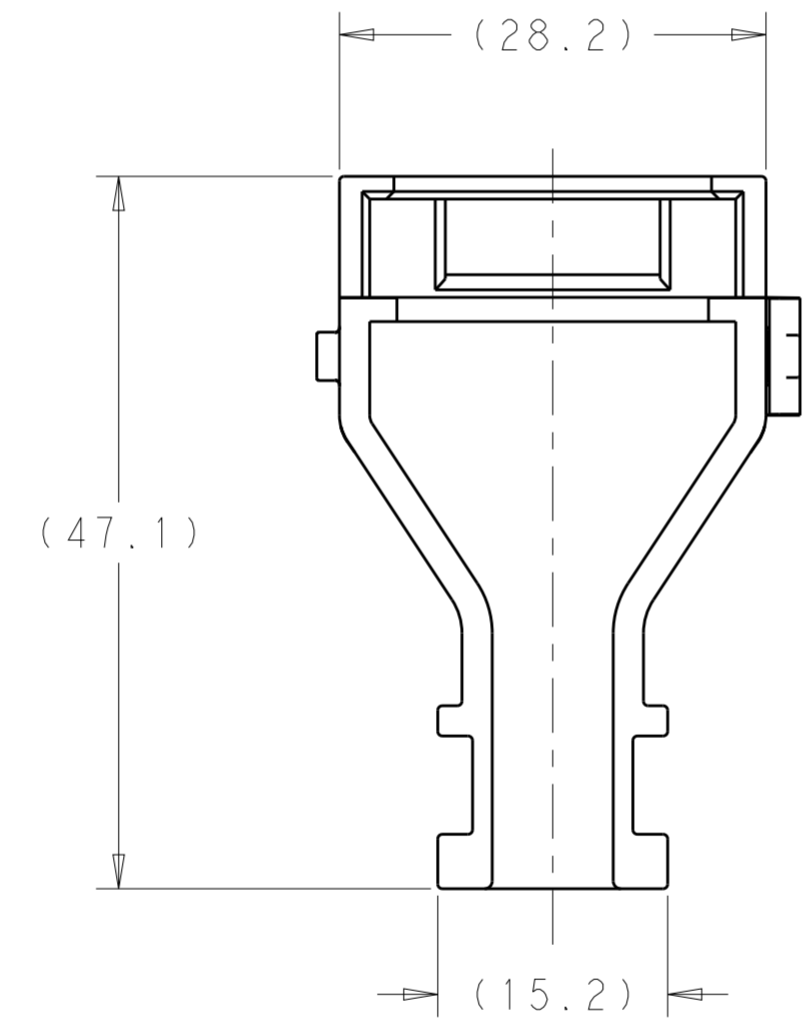
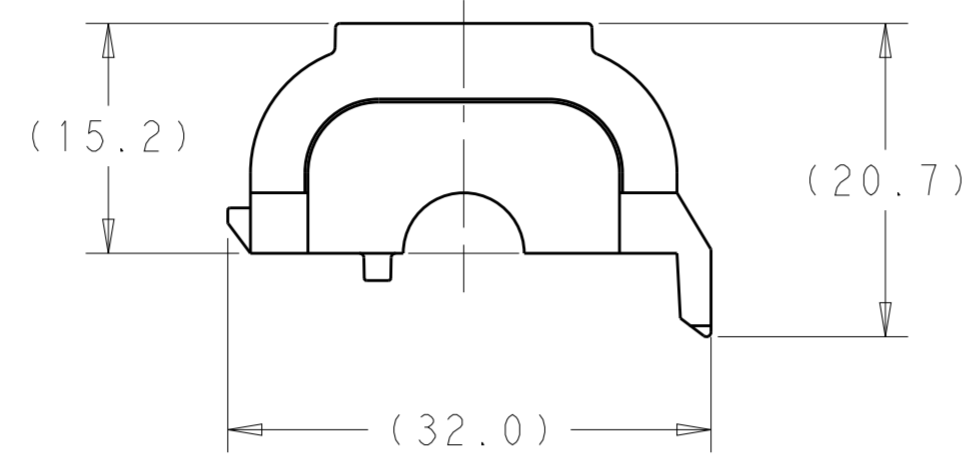
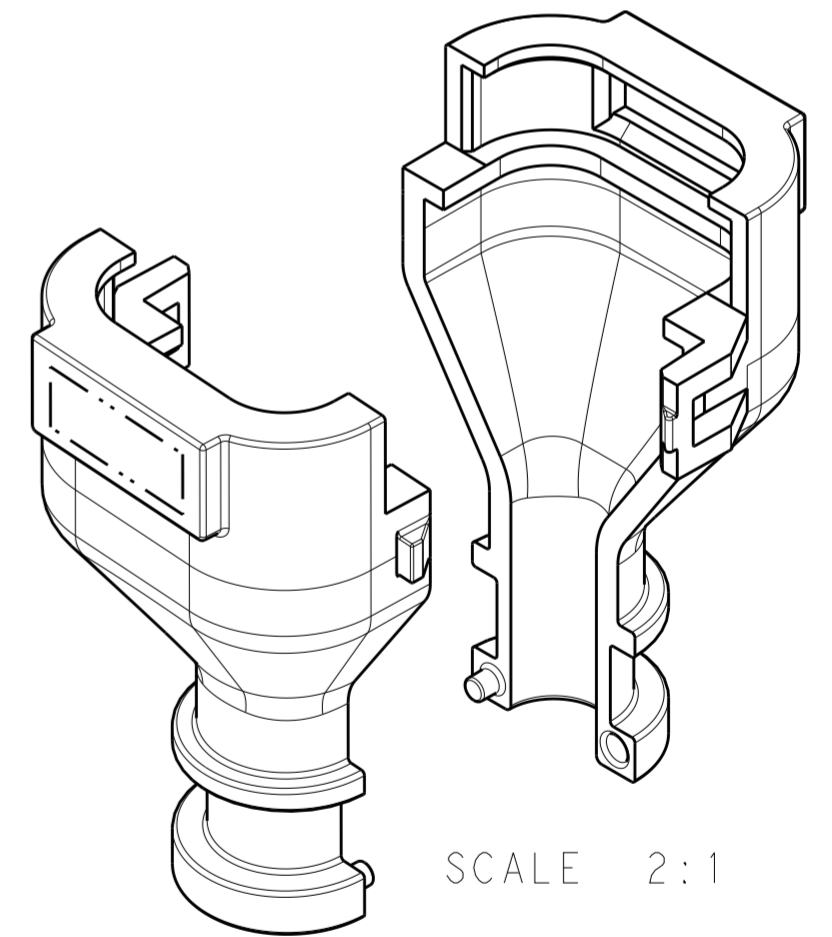


THIS DRAWING IS UNPUBLISHED. RELEASED FOR PUBLICATION 2017
 © COPYRIGHT 2017 BY - ALL RIGHTS RESERVED.

REVISIONS				
P	LTR	DESCRIPTION	DATE	APVD
A		INITIAL RELEASE	15MAR2017	DS DS
B		ECO-18-002973	28FEB2018	DS DS
C		ECO-18-016527	17OCT2018	DS DS



- 1. MATERIAL: PBT, 15% GLASS FILLED, COLOR: BLACK
- 2. USED WITH 8 POSITION AMPSEAL PLUG ASSEMBLY 776286
- 3. TWO PIECES REQUIRED PER ASSEMBLY
- 4. A WIRE TIE IS RECOMMENDED AROUND THE WIRE EXIT END OF THE BACKSHELL TO AID IN SECURING THE TWO HALVES TOGETHER



2138529-1
PART NO

THIS DRAWING IS A CONTROLLED DOCUMENT.		DWN J. MCNEAL 23FEB2017	STE TE Connectivity	
		CHK D. STRAUSSER 23FEB2017		
DIMENSIONS: mm		APVD -	NAME WIRE RELIEF, 8 POSITION, AMPSEAL	
TOLERANCES UNLESS OTHERWISE SPECIFIED:		PRODUCT SPEC -	SIZE A2	
0 PLC ±		APPLICATION SPEC -	CAGE CODE C-2138529	DRAWING NO
1 PLC ±		WEIGHT -	RESTRICTED TO	
2 PLC ±		CUSTOMER DRAWING		
3 PLC ±		SCALE 2:1 SHEET 1 OF 1 REV C		
4 PLC ±				
ANGLES ±				
FINISH -				

单击下面可查看定价，库存，交付和生命周期等信息

[>>TE Connectivity\(泰科\)](#)