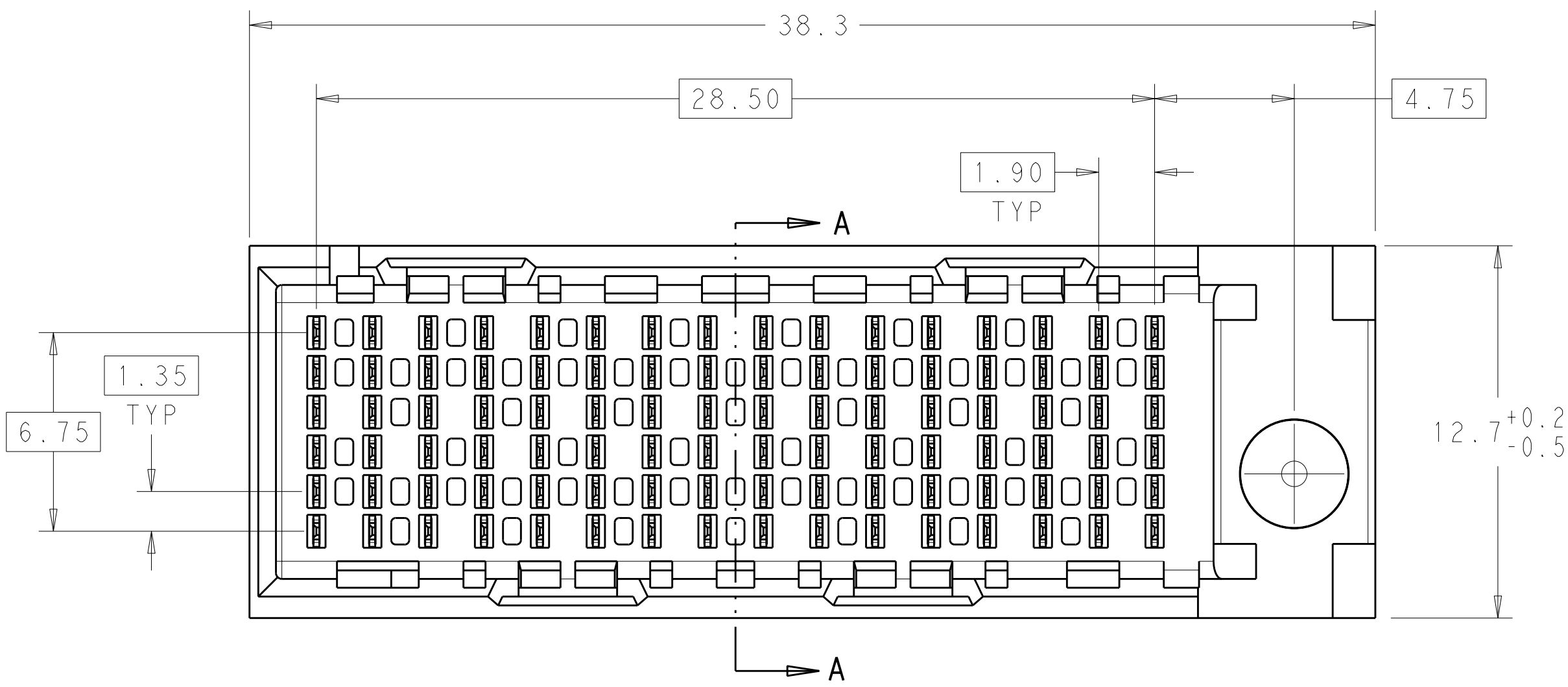
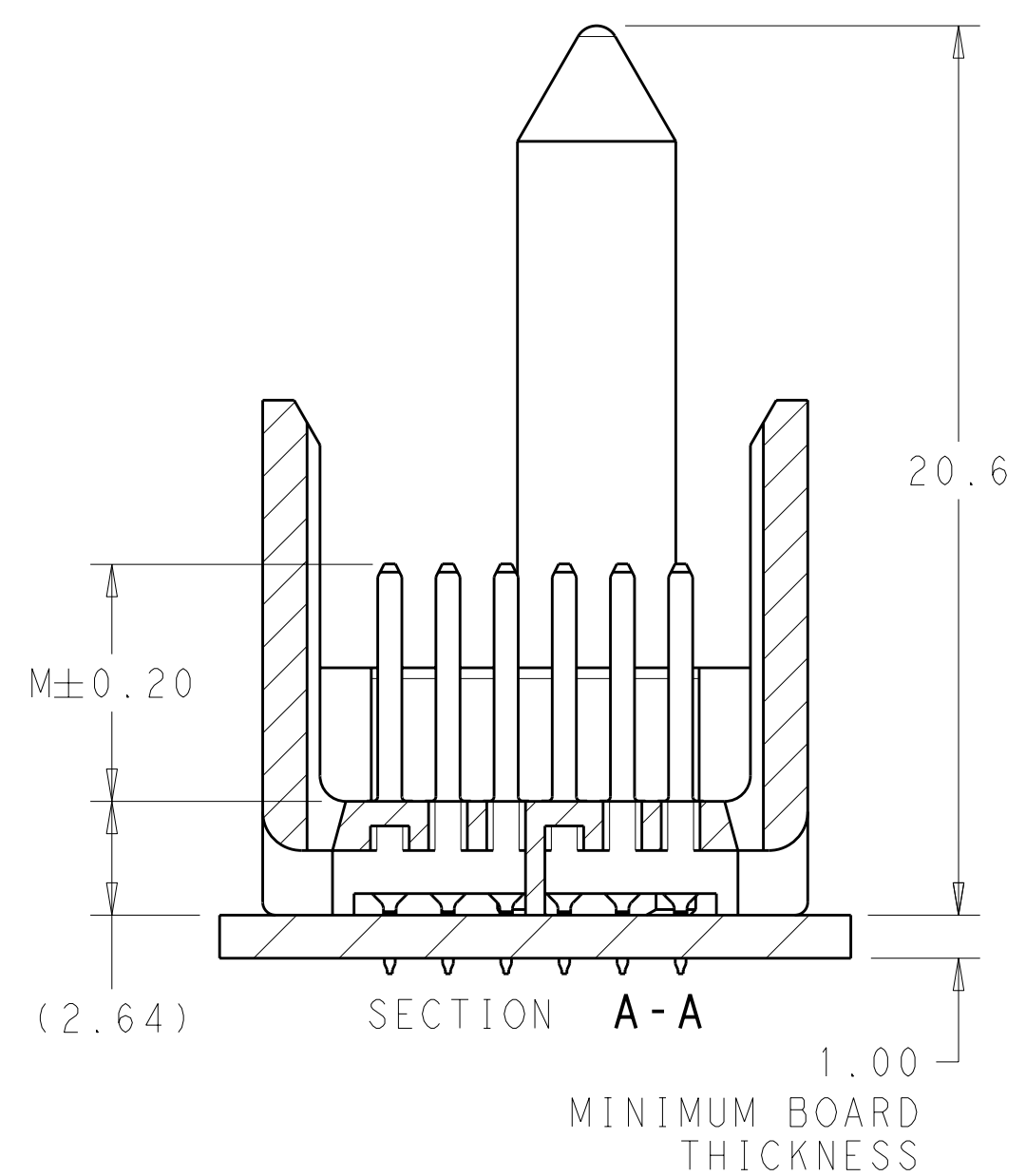
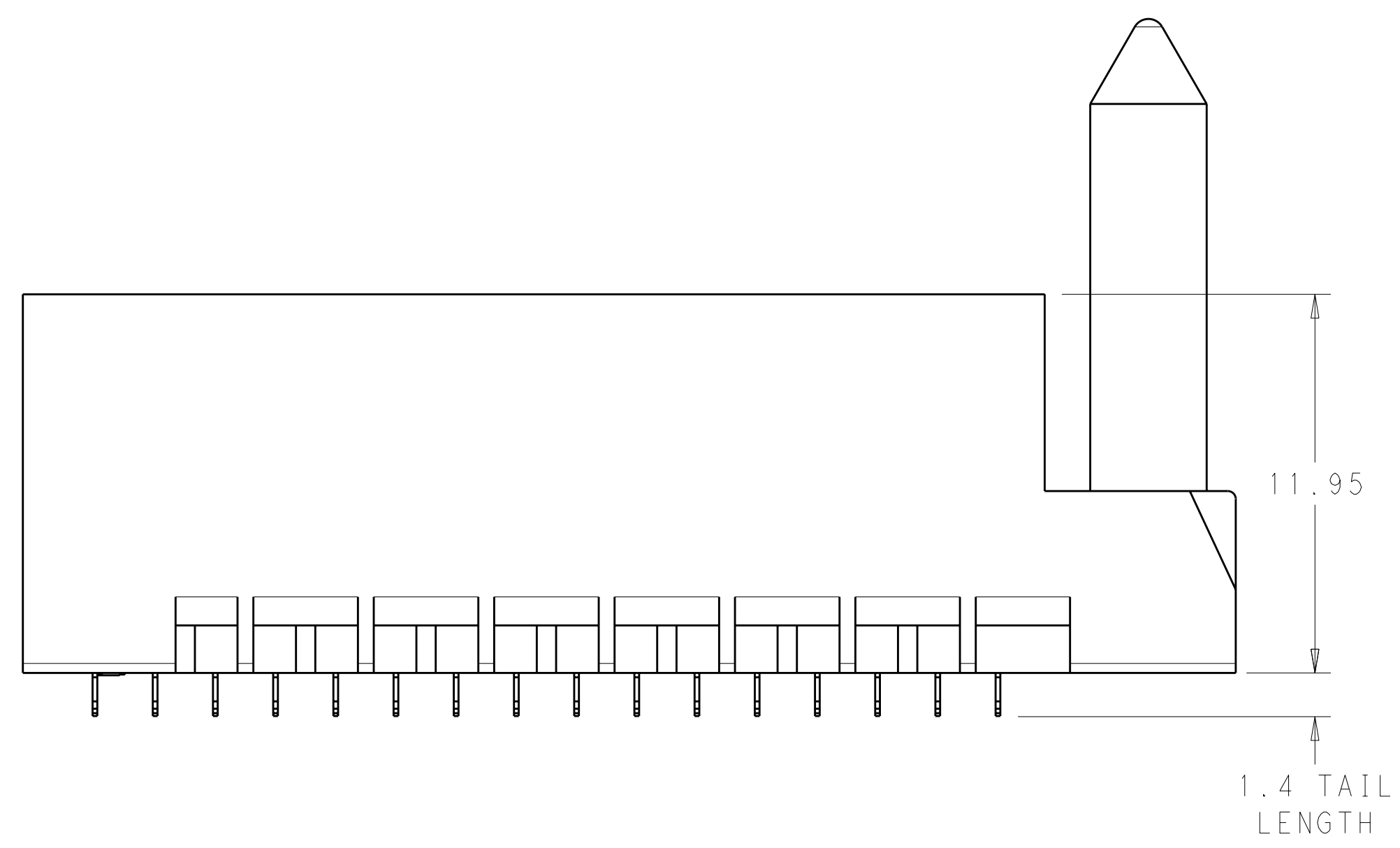
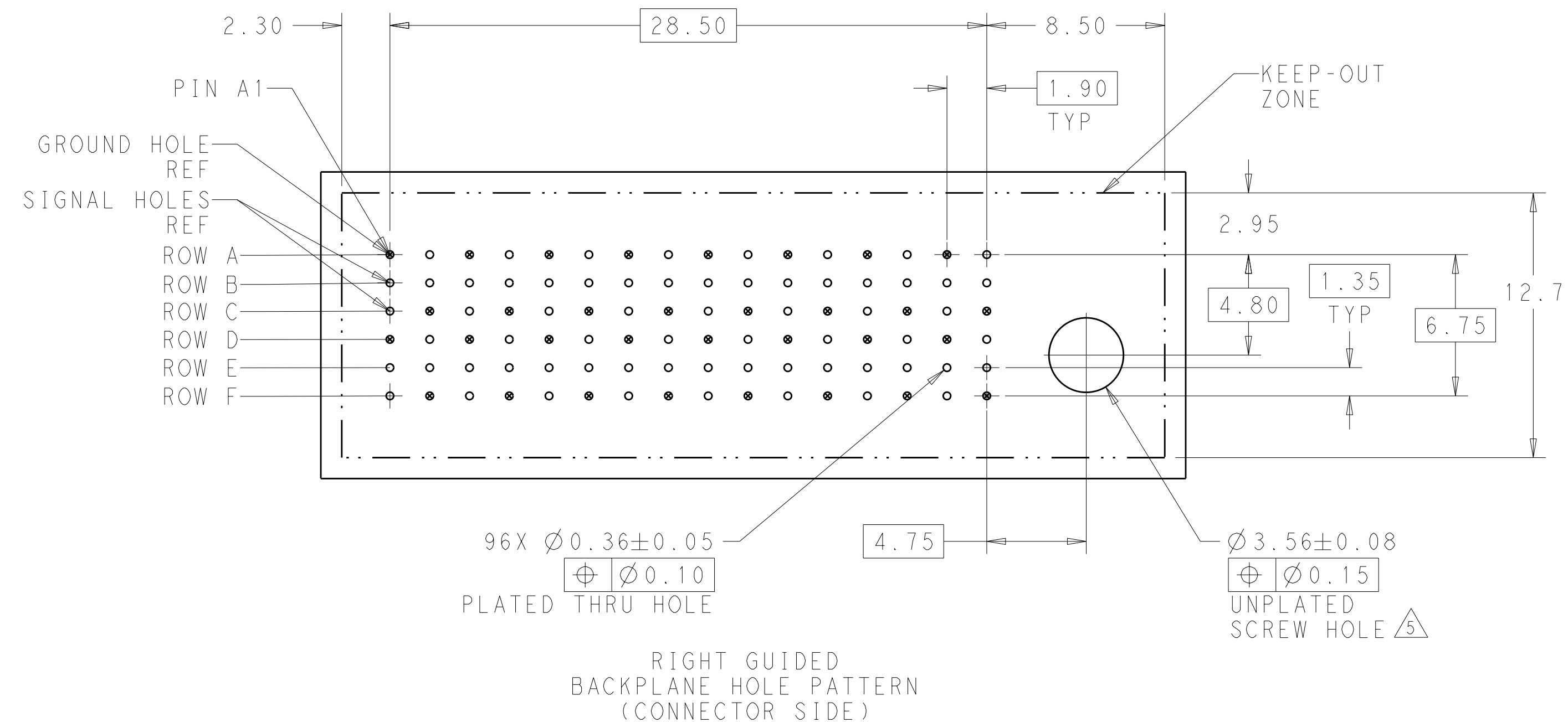
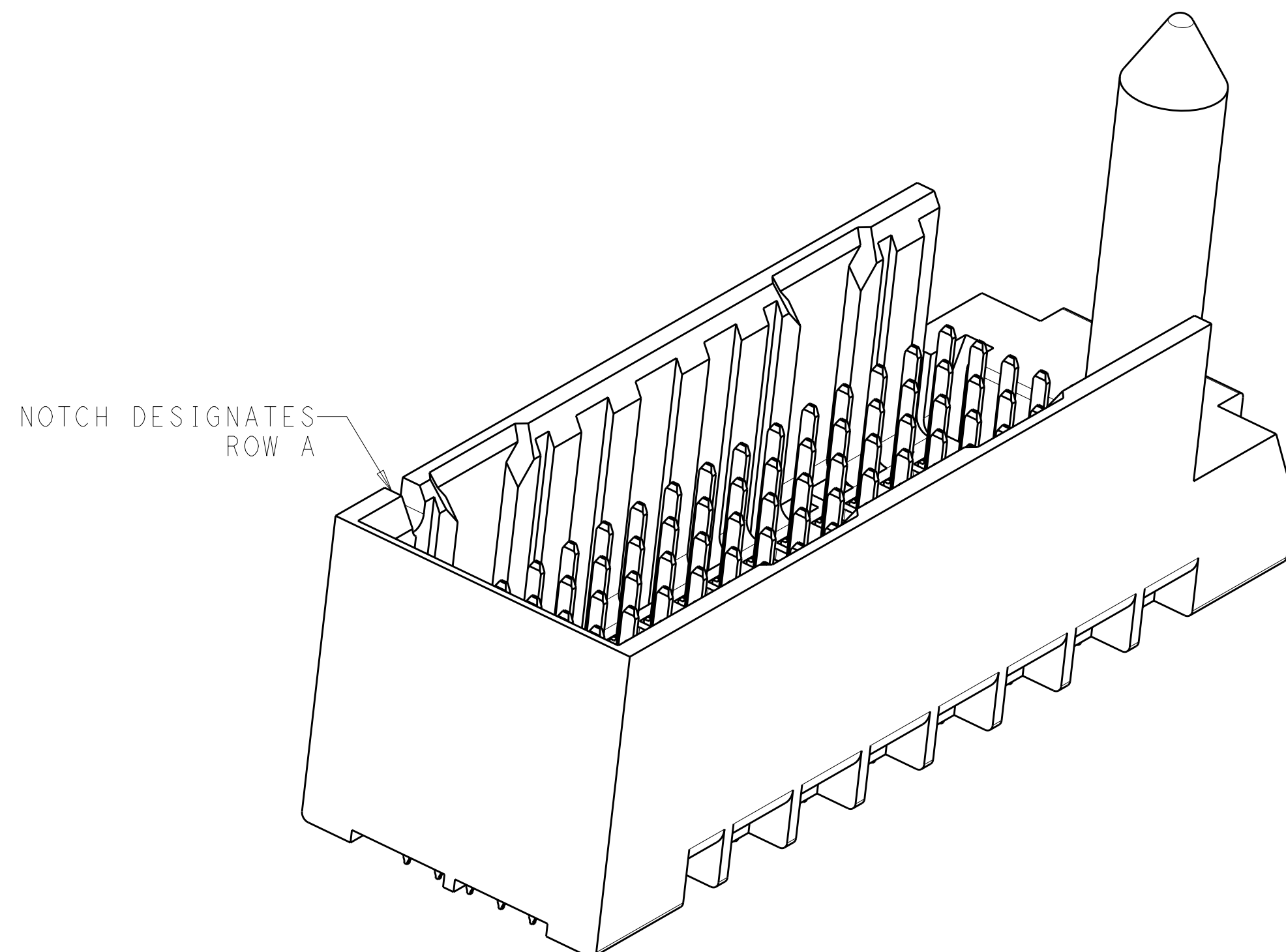


LOC	DIST	REV	DATE	BY	APPD
AD	00	B	05JAN2012	KH	DY
		REVISIONS			
		DESCRIPTION	DATE	DWN	APPD
		B	REVISD PER ECO-11-025276		



- 1 MATERIAL:
HOUSING: LCP, GLASS FILLED, UL94V-0.
TERMINALS: HIGH PERFORMANCE COPPER ALLOY.
- 2 FINISH:
30µ" MIN GOLD IN CONTACT AREA. SELECTIVE TIN ON PCB TAILS, NICKEL OVERALL.
- 3 FINISH:
30µ" MIN GOLD IN CONTACT AREA. SELECTIVE TIN-LEAD ON PCB TAILS, NICKEL OVERALL.
- 4. SCREWS PACKAGED IN END OF PACKAGING TUBE.
- 5 FOR GROUNDED GUIDE PIN USE $\varnothing 3.56 \pm 0.08$ PTH, $\varnothing 3.66$ DRILL, AND $\varnothing 6.5$ PAD.



THIS DRAWING IS A CONTROLLED DOCUMENT.		DWN J. K. SHOBER 3NOV2011	TE Connectivity
DIMENSIONS: mm		CHK J. EARY 3NOV2011	
TOLERANCES UNLESS OTHERWISE SPECIFIED:		APVD J. EARY 3NOV2011	NAME: IMPACT, 2 PAIR, 16 COLUMN, HEADER RIGHT GUIDED, LEFT END WALL SIGNAL MODULE, 0.36 PTH
9 PLC ±		PRODUCT SPEC	
1 PLC ±0.25		APPLICATION SPEC	SIZE CAGE CODE DRAWING NO RESTRICTED TO
3 PLC ±0.13		WEIGHT	A100779C=2057743
5 PLC ±		CUSTOMER DRAWING	SCALE 6:1 SHEET 1 OF 2 REV B
4 PLC ±			
ANGLES ±			
FINISH SEE TABLE			

THIS DRAWING IS UNPUBLISHED. RELEASED FOR PUBLICATION 20
 © COPYRIGHT 20 . . . ALL RIGHTS RESERVED.

LOC	DIST	REVISIONS				
AD	00	P	LTB	DATE	DWN	APVD
		-	-	SEE SHEET 1	-	-

FINISH	DIM M	PART NUMBER
△3	5.5	2057743-6
△3	4.9	2057743-5
△3	4.5	2057743-4
△2	5.5	2057743-3
△2	4.9	2057743-2
△2	4.5	2057743-1

REFER TO WWW.TE.COM
FOR PRODUCT AVAILABILITY

THIS DRAWING IS A CONTROLLED DOCUMENT.		DWN J. K. SHOBER 3NOV2011	
DIMENSIONS: mm		CHK J. EARY 3NOV2011	
TOLERANCES UNLESS OTHERWISE SPECIFIED:		APVD J. EARY 3NOV2011	NAME IMPACT, 2 PAIR, 16 COLUMN, HEADER RIGHT GUIDED, LEFT END WALL SIGNAL MODULE, 0.36 PTH
0 PLC ± 1 PLC ±0.25 2 PLC ±0.13 3 PLC ± 4 PLC ± ANGLES ± FINISH SEE TABLE		PRODUCT SPEC	
MATERIAL		APPLICATION SPEC	RESTRICTED TO
CUSTOMER DRAWING		WEIGHT	SIZE CAGE CODE DRAWING NO. A100779C=2057743
		SCALE 5:1	SHEET 2 OF 2 REV B

单击下面可查看定价，库存，交付和生命周期等信息

[>>TE Connectivity\(泰科\)](#)