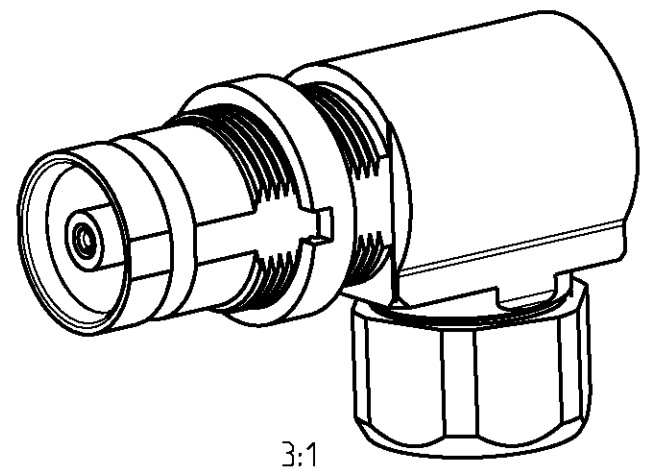
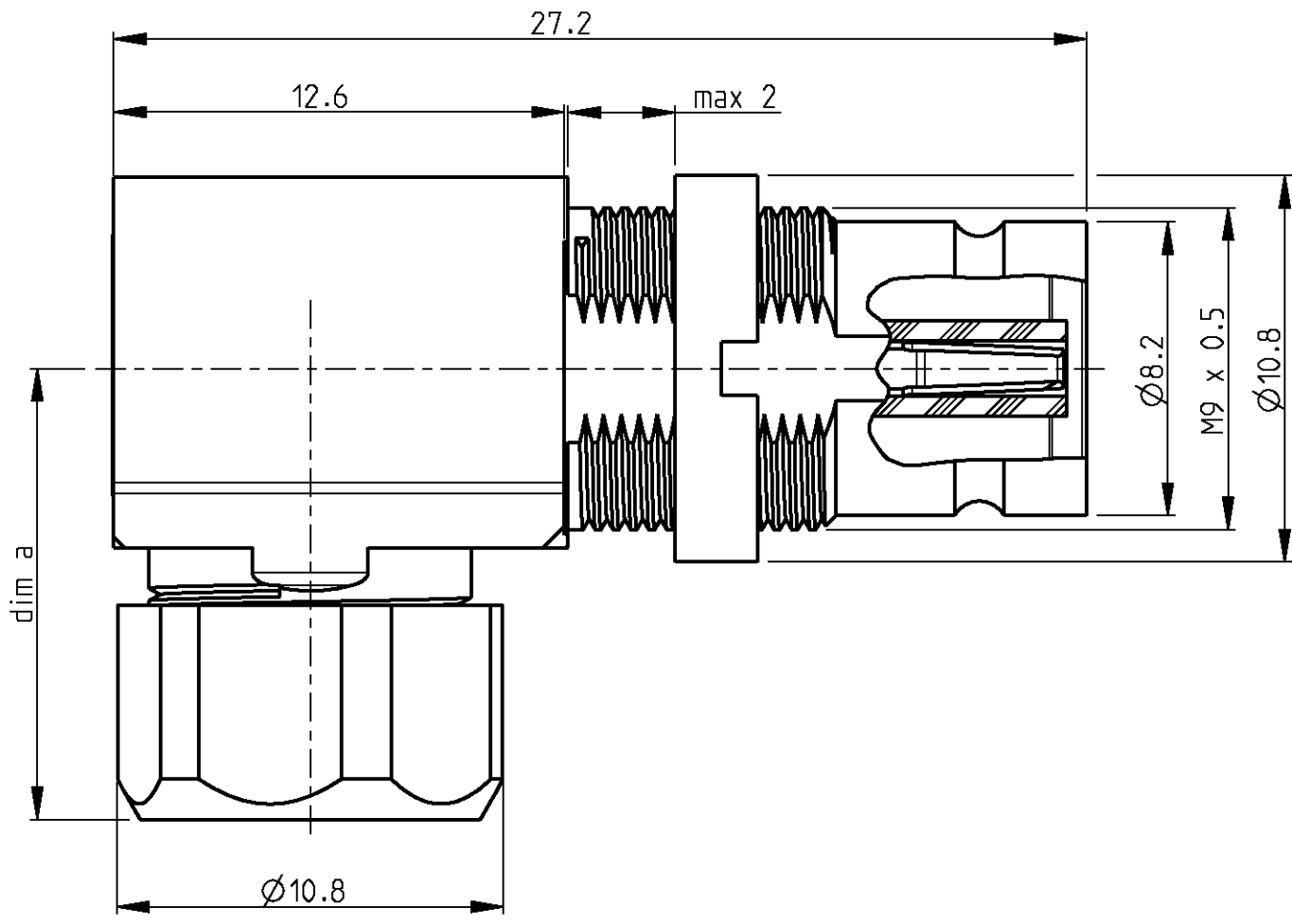
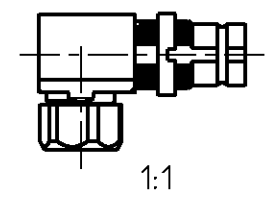


THIS DRAWING IS UNPUBLISHED. RELEASED FOR PUBLICATION 2000  
 © COPYRIGHT 2000 BY TYCO ELECTRONICS CORPORATION. ALL RIGHTS RESERVED.

LOC	DIST	REVISIONS					
		P	LTR	DESCRIPTION	DATE	DWN	APVD
IS	-		A	-	05APR2001	BL	KM
			B	ECR-08-004805	21FEB08	AN	DB
			B1	REVISED PER ECO-09-027197	13JAN10	KK	AEG



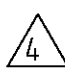



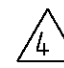
- 5 OBSOLETE PARTS: OBSOLETE CIS STREAMLINING PER D.RENAUD/D.SINISI
- 4 Packed in tray
- 3. Mating face according to DIN 47295/CECC 22240.
- 2. All parts supplied as loose part.
- 1. All dimensions are maximum unless otherwise specified.


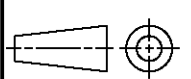


<small>THIS DRAWING IS A CONTROLLED DOCUMENT FOR TYCO ELECTRONICS CORPORATION          IT IS SUBJECT TO CHANGE AND THE CONTROLLING ENGINEERING ORGANIZATION          SHOULD BE CONTACTED FOR THE LATEST REVISION.</small>		DWN B. Ienvain 26MAR2001 CHK K. Mattheuws 05APR2001 APVD R. Leeman 05APR2001		Tyco Electronics CH - Switzerland - Lugano	
DIMENSIONS: mm		TOLERANCES UNLESS OTHERWISE SPECIFIED: 0 PLC ± 1 PLC ± 2 PLC ± 3 PLC ± 4 PLC ± ANGLES ±		NAME Bulkhead jack 1.6/5.6	
MATERIAL -		FINISH -		PRODUCT SPEC - APPLICATION SPEC See table	
		WEIGHT -		SIZE A3	CAGE CODE 00779
		CUSTOMER DRAWING		DRAWING NO C-4-1393682-6	RESTRICTED TO -
		SCALE 5:1		SHEET 1 OF 1	REV B1

THIS DRAWING IS UNPUBLISHED. RELEASED FOR PUBLICATION 2000  
 © COPYRIGHT 2000 BY TYCO ELECTRONICS CORPORATION. ALL RIGHTS RESERVED.

LOC	DIST	REVISIONS					
		P	LTR	DESCRIPTION	DATE	DWN	APVD
IS	-			SEE SHEET 1	-	-	-

Old part number	TE P/N	Description	Material	Plating	dim a	Appl spec	Cable type
V23612-A803-G76A 	<del>5-1393682-0</del>  	Outer conductor	Brass	1µm Au min in contact area/min 0.1µm Au over min 2µm NiP	13	114-71022	02Y(ST)CY 0.45/2.0
		Center conductor	CuBe/Bronze	min 0.1µm Au over min 2µm NiP			
		Dielectric	PEEK/PC	-			
V23612-A803-G76	4-1393682-9	Outer conductor	Brass	1µm Au min in contact area/min 0.1µm Au over min 2µm NiP	13	114-71022	02Y(ST)CY 0.45/2.0
		Center conductor	CuBe/Bronze	min 0.1µm Au over min 2µm NiP			
		Dielectric	PEEK/PC	-			
V23612-A803-G66	4-1393682-8	Outer conductor	Brass	1µm Au min in contact area/min 0.1µm Au over min 2µm NiP	15.8	114-71023	2YCY 0.7/4.4 2YC (mS) CY 0.5/3.0 ST 120 RG 59 B/U
		Center conductor	CuBe/Bronze	min 0.1µm Au over min 2µm NiP			
		Dielectric	PEEK/PC	-			
V23612-A803-G45A 	4-1393682-7 	Outer conductor	Brass	1µm Au min in contact area/min 0.1µm Au over min 2µm NiP	13	114-71022	2 YCCY 0.4/2.5 2YC (MS) CY 0.4/2.5
		Center conductor	CuBe/Bronze	min 0.1µm Au over min 2µm NiP			
		Dielectric	PEEK/PC	-			
V23612-A803-G45	4-1393682-6	Outer conductor	Brass	1µm Au min in contact area/min 0.1µm Au over min 2µm NiP	13	114-71022	2 YCCY 0.4/2.5 2YC (mS) CY 0.4/2.5
		Center conductor	CuBe/Bronze	min 0.1µm Au over min 2µm NiP			
		Dielectric	PEEK/PC	-			

<small>THIS DRAWING IS A CONTROLLED DOCUMENT FOR TYCO ELECTRONICS CORPORATION          IT IS SUBJECT TO CHANGE AND THE CONTROLLING ENGINEERING ORGANIZATION          SHOULD BE CONTACTED FOR THE LATEST REVISION.</small>		DWN <b>B. Ienvain</b> 26MAR2001 CHK <b>K. Mattheeuws</b> 05APR2001 APVD <b>R. Leeman</b> 05APR2001		 Tyco Electronics CH - Switzerland - Lugano	
DIMENSIONS: mm 		TOLERANCES UNLESS OTHERWISE SPECIFIED: 0 PLC ± 1 PLC ± 2 PLC ± 3 PLC ± 4 PLC ± ANGLES ±		NAME <b>Bulkhead jack</b> <b>1.6/5.6</b>	
MATERIAL -		FINISH -		PRODUCT SPEC - APPLICATION SPEC See table WEIGHT -	
		CUSTOMER DRAWING		SIZE <b>A3</b>	CAGE CODE <b>00779</b>
		DRAWING NO <b>4-1393682-6</b>		RESTRICTED TO -	
		SCALE <b>5:1</b>		SHEET <b>2</b> OF <b>1</b>	
		REV <b>B1</b>			

单击下面可查看定价，库存，交付和生命周期等信息

[>>TE Connectivity\(泰科\)](#)