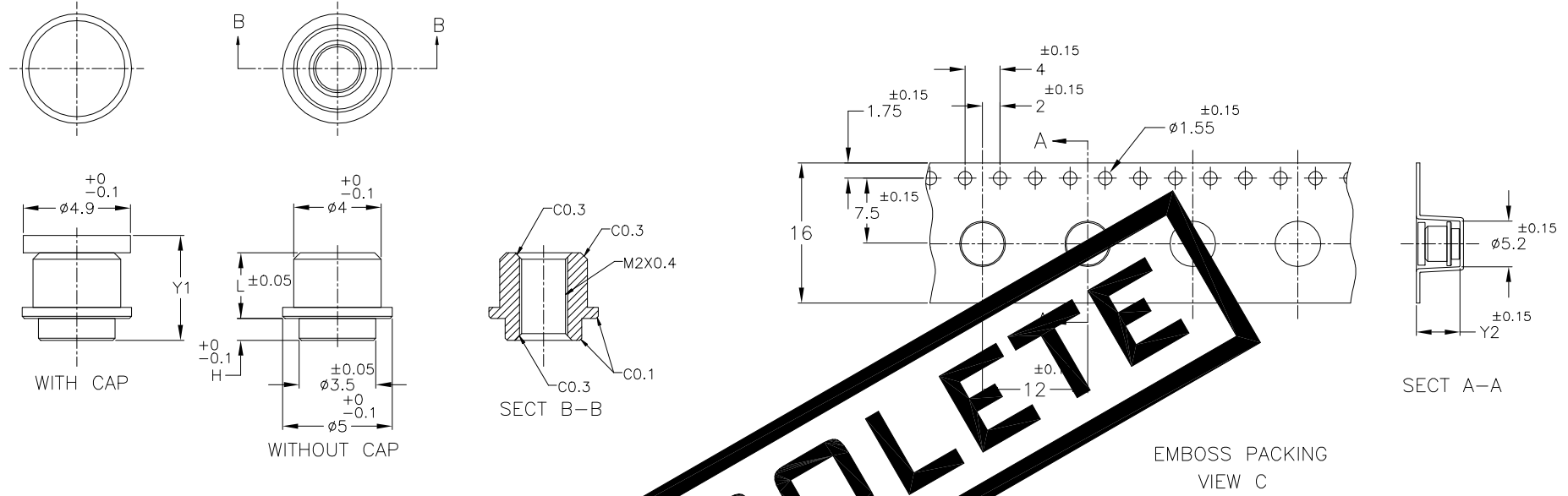


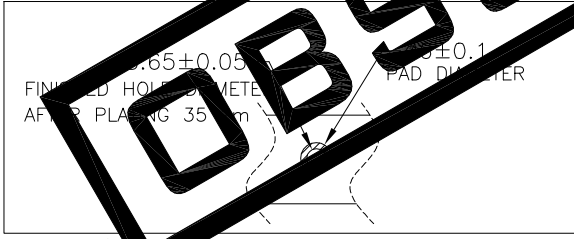
THIS DRAWING IS UNPUBLISHED. RELEASED FOR PUBLICATION SEP, 2003.  
 © COPYRIGHT 2003 By - ALL RIGHTS RESERVED.

| REVISIONS |     |                           |           |       |
|-----------|-----|---------------------------|-----------|-------|
| P         | LTR | DESCRIPTION               | DATE      | APVD  |
| C1        |     | REVISED PER ECO-19-015526 | 11OCT2019 | AL HL |



OBSOLETE

1. ???STUD : ??  
 CAP : 46????  
 2. ?? : Ni ?????????????????  
 3. ?????????????????  
 ⚠ FR-4, t=1.0REF



|   |         |     |     |     |     |           |
|---|---------|-----|-----|-----|-----|-----------|
| ⓑ | 1000    | 5.8 | 5.6 | 0.6 | 4.2 | 1717786-5 |
| ⓑ | 1200    | 4.6 | 4.4 | 0.6 | 3.0 | 1717786-4 |
| Ⓐ | 800     | 9.0 | 8.8 | 1   | 7.0 | 1717786-2 |
| Ⓐ | 1000    | 5.0 | 4.8 | 1   | 3.0 | 1717786-1 |
| ⓐ | PACKAGE | Y2  | Y1  | H   | L   | P/NO.     |

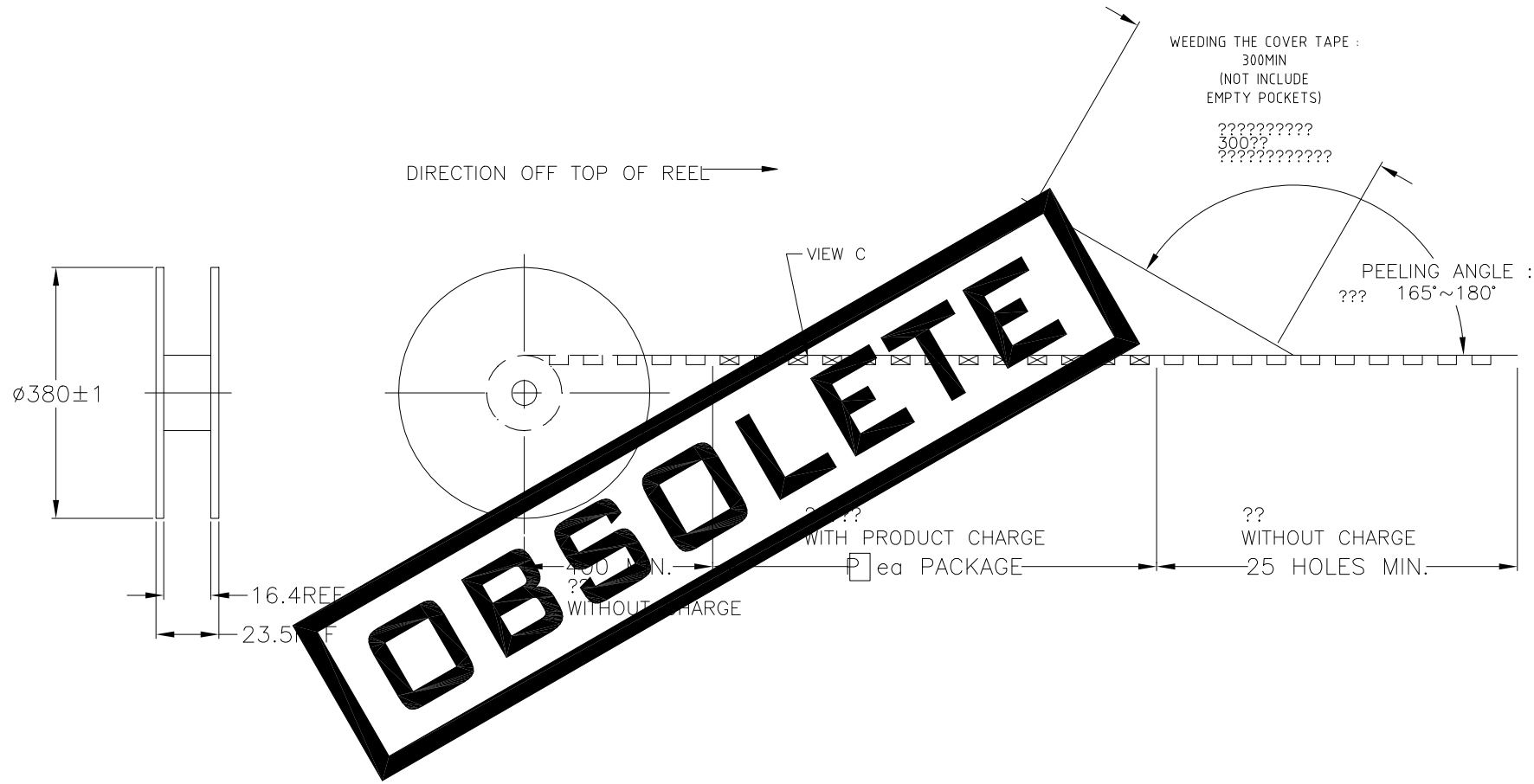
- NOTE
- MATERIAL : STUD : BRASS  
 CAP : 46 NYLON
  - FINISH : MATTE TIN PLATING AFTER Ni PLATING.
  - NO BURR IS ALLOWED AT UNSPECIFIED CORNERS.  
 ⚠ FR-4, t=1.0REF


THIS DRAWING IS A CONTROLLED DOCUMENT.

|   |   |                              |                               |                               |
|---|---|------------------------------|-------------------------------|-------------------------------|
| DIMENSIONS:<br>単位: 耗<br>MM  | TOLERANCES UNLESS<br>OTHERWISE SPECIFIED:<br>一般公差 | DWN<br>H.TAKASU<br>16SEP03   | TE Connectivity Ltd.          |                               |
| 0 PLC ± 0.3<br>1 PLC ± 0.3<br>2 PLC ± 0.1<br>3 PLC ±<br>4 PLC ±<br>ANGLES ± 1 | FINISH<br>仕上                                      | CHK<br>K.KODAIRA<br>16SEP03  |                               |                               |
| SEE TABLE   |   | APVD<br>K.KODAIRA<br>16SEP03 | PRODUCT SPEC<br>製品規格          | EMBOSSED PACKAGE,<br>MDC-STUD |
|   |   | APPLICATION SPEC<br>取付適用規格   | SIZE<br>A3                    | CAGE CODE<br>00779            |
|   |   | WEIGHT                       | DRAWING NO<br>番号<br>G=1717786 | RESTRICTED TO<br>—            |
|   |   | CUSTOMER DRAWING             | SCALE<br>尺度 NTS               | SHEET<br>1 OF 2               |
|   |   |                              |                               | REV<br>C1                     |

THIS DRAWING IS UNPUBLISHED.      RELEASED FOR PUBLICATION      SEP .01 .  
 © COPYRIGHT 2003 By -      ALL RIGHTS RESERVED.

| REVISIONS |     |             |      |      |
|-----------|-----|-------------|------|------|
| P         | LTR | DESCRIPTION | DATE | APVD |
| -         | -   | SEE SHEET 1 | -    | -    |



|   |  |                      |                            |  |                               |
|---|--|----------------------|----------------------------|--|-------------------------------|
| THIS DRAWING IS A CONTROLLED DOCUMENT.  |  | DWN<br>H.TAKASU      | 16SEP2003                  |  TE Connectivity Ltd. |                               |
| DIMENSIONS:<br>單位：耗<br>MM   |  | CHK<br>K.KODAIRA     | 16SEP2003                  |  |                               |
| TOLERANCES UNLESS<br>OTHERWISE SPECIFIED:<br>一般公差                             |  | APVD<br>K.KODAIRA    | 16SEP2003                  | NAME<br>名称<br>EMBOSS PACKAGE,<br>MDC-STUD  |                               |
| 0 PLC ± 0.3<br>1 PLC ± 0.3<br>2 PLC ± 0.1<br>3 PLC ±<br>4 PLC ±<br>ANGLES ± 1 |  | PRODUCT SPEC<br>製品規格 | APPLICATION SPEC<br>取付適用規格 |  | SIZE<br>A3                    |
| MATERIAL<br>材料<br>SEE TABLE   |  | FINISH<br>仕上         | WEIGHT                     | CAGE CODE<br>00779   | DRAWING NO<br>番号<br>G=1717786 |
| CUSTOMER DRAWING  |  |                      | SCALE<br>尺度<br>NTS         | SHEET<br>2 OF 2  | RESTRICTED TO<br>REV<br>C1    |

单击下面可查看定价，库存，交付和生命周期等信息

[>>TE Connectivity\(泰科\)](#)