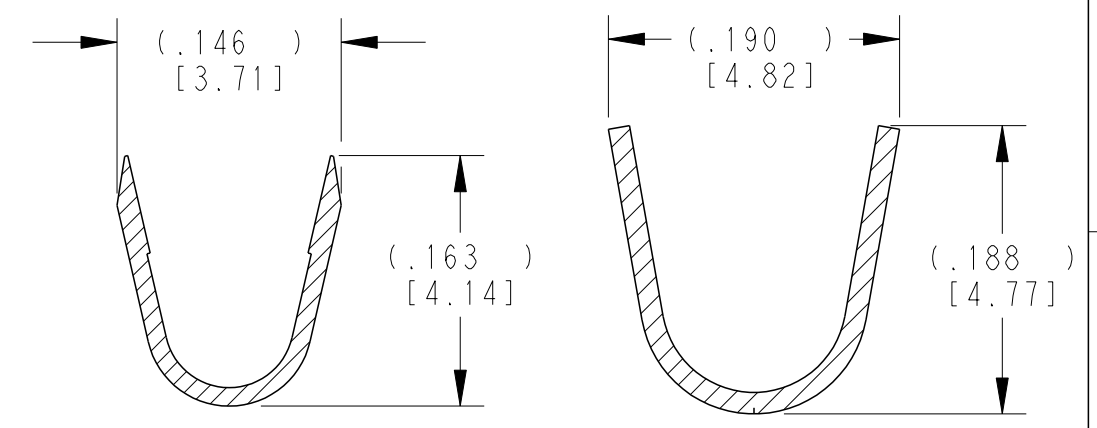
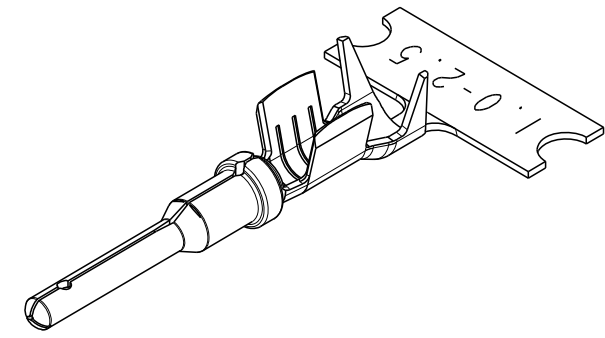


LOC	DIST	REVISIONS			
P	LTR	DESCRIPTION	DATE	DWN	APVD
	C	REVISED PER ECO-15-007761	28MAY2015	RL	DM
	D	REVISED PER PCN E-20-008101	12JUN2020	DM	DM



SECTION A-A
WIRE BARREL

SECTION B-B
INSULATION BARREL

TE INTERNAL PN	DEUTSCH PN	PLATING
1060-16-1222	1060-16-1222	Ni/Cu overall, Sn/Ni/Cu Wire Barrel
1060-16-1244	1060-16-1244	Selective Au, Ni/Cu overall, Sn/Ni/Cu Wire Barrel
1060-16-1277	1060-16-1277	Sn/Ni/Cu overall

- 5 TIN PLATING MAY BE IN THIS REGION.
- 4 TIN PLATED REGION.
- 3 MATERIAL: .014 [0.36] THICK CU ALLOY
- 2. WIRE RANGE: 16 AWG TO 12 AWG [1.0-2.5 mm²]
INSULATION RANGE: Ø.075-.140 [Ø1.91-3.56]
- 1 GOLD PLATED REGION.

NOTES: UNLESS OTHERWISE SPECIFIED

THIS DRAWING IS A CONTROLLED DOCUMENT.

DIMENSIONS: INCHES [mm]	TOLERANCES UNLESS OTHERWISE SPECIFIED: 0 PLC ± 1 PLC ± 2 PLC ± 3 PLC ±.025 [0.64] 4 PLC ± ANGLES ±	DWN VLADIMIR TOMSA 29MAR2001	TE Connectivity
		CHK BRICE BYFORD 14MAR2002	
	FINISH SEE TABLE	APVD R. REED 14MAR2002	NAME STAMPED CONTACT PIN SIZE 16
		PRODUCT SPEC 108-151000 APPLICATION SPEC 114-151001	SIZE A3 CAGE CODE 4AFU8 DRAWING NO C=1060-16-12XX RESTRICTED TO -
MATERIAL 3		WEIGHT 0.40 g	SCALE 6:1

Customer Drawing SHEET 1 OF 1 REV D

单击下面可查看定价，库存，交付和生命周期等信息

[>>TE Connectivity\(泰科\)](#)