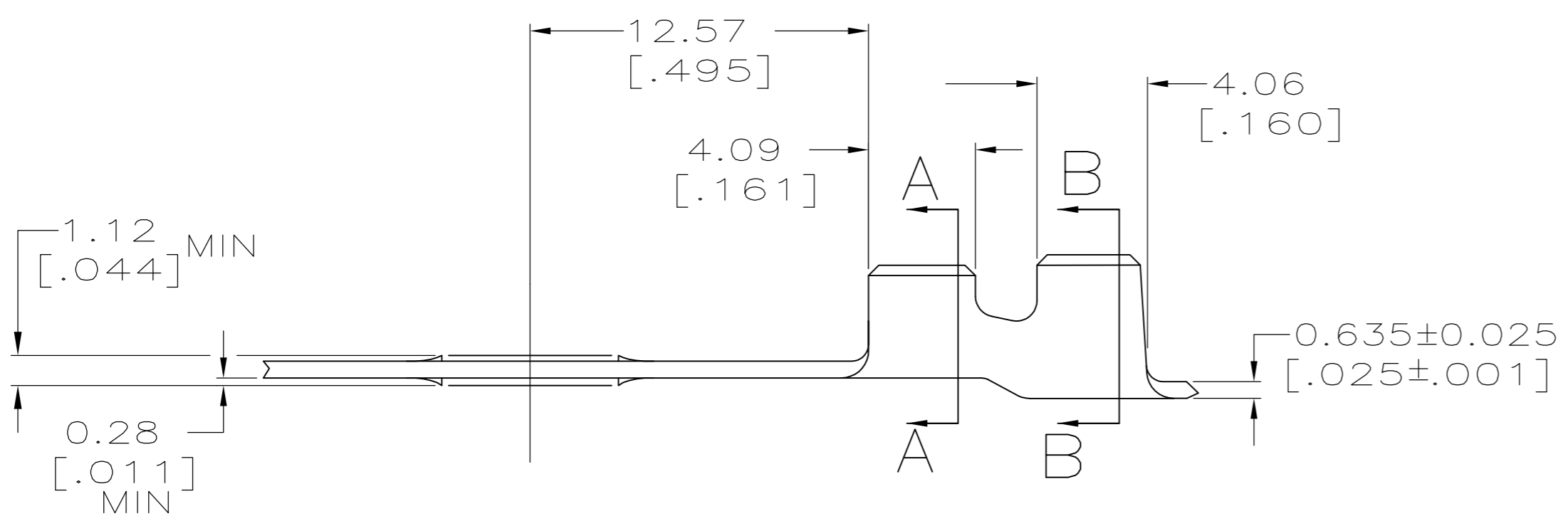
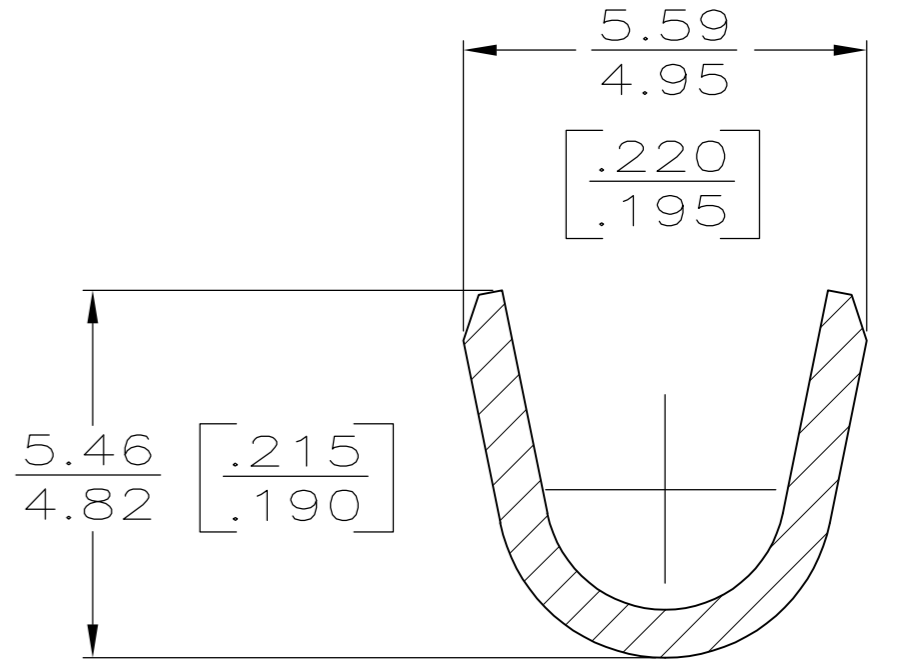
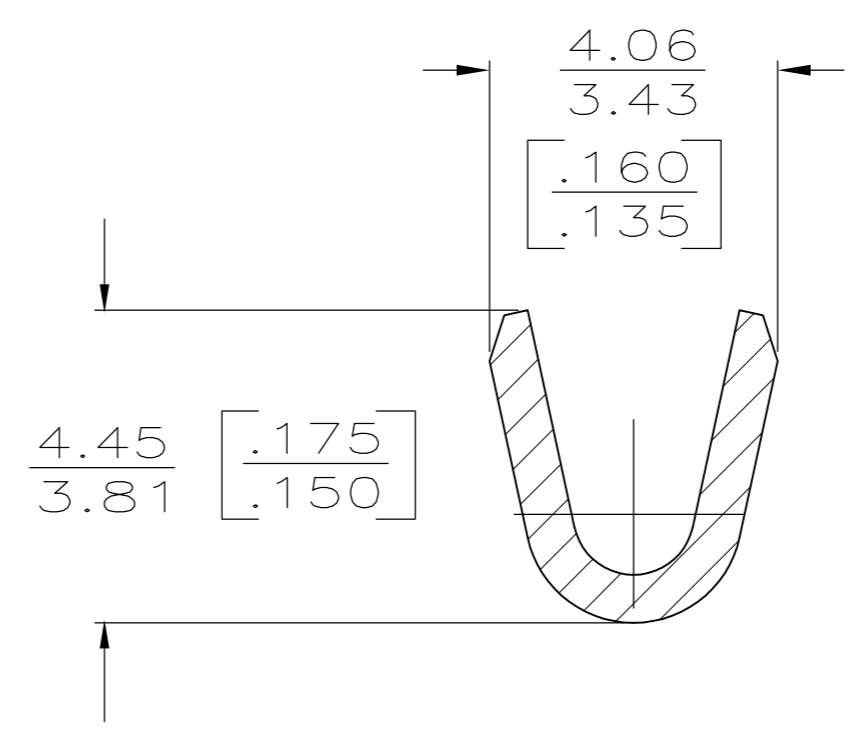
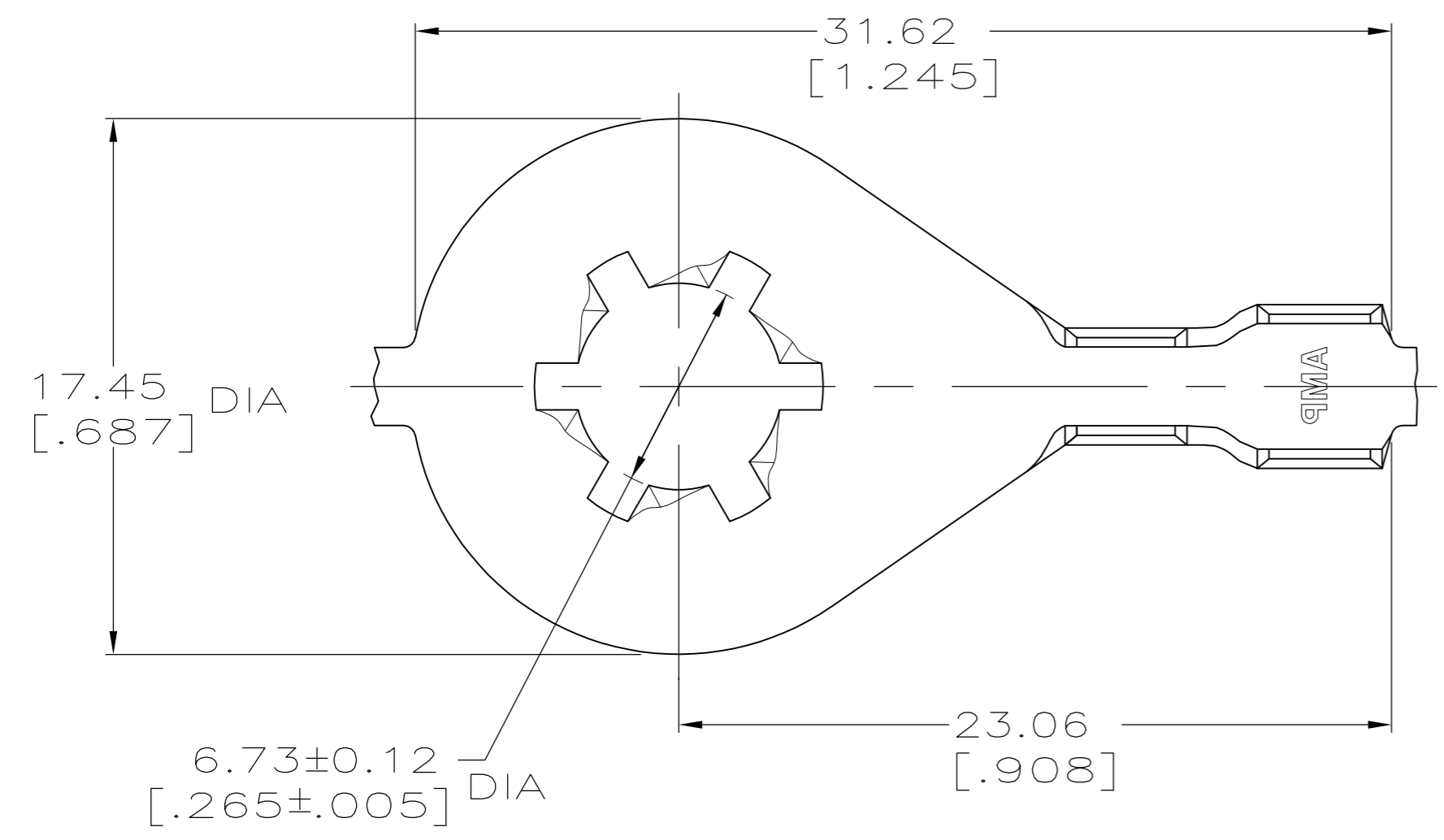


THIS DRAWING IS UNPUBLISHED. RELEASED FOR PUBLICATION
 © COPYRIGHT BY TYCO ELECTRONICS CORPORATION. ALL INTERNATIONAL RIGHTS RESERVED.

LOC	DIST	REVISIONS					
AF	50	P	LTR	DESCRIPTION	DATE	DWN	APVD
		D		REVISED PER ECR-10-006099	09JUL10	HMR	PD

- CONTINUOUS STRIP ON REELS
- WIRE SIZE IS [#18-#14] AWG.
- INSULATION RANGE IS 2.29-3.68 [.090-.145] DIA.



TIN	H04 BRASS	63602-2
-	ANNEALED SST	63602-1
FINISH	MATERIAL	PART NO

F or O	4.57 [.180]	4.32 [.170]	F	3.05 [.120]	2.31 [.091]	2.0mm² [14]	THIS DRAWING IS A CONTROLLED DOCUMENT.
					2.11 [.083]	1.3mm² [16]	
					1.98 [.078]	0.8mm² [18]	
TYPE	WIDTH	STRIP LENGTH ±0.38 [±.015]	TYPE	WIDTH	±0.051 [±.002] HEIGHT	WIRE	
INSUL BARREL CRIMP			WIRE BARREL CRIMP				
							DIMENSIONS: mm [INCHES]
							TOLERANCES UNLESS OTHERWISE SPECIFIED:
							0 PLC ± -
							1 PLC ± -
							2 PLC ± 0.25 [.010]
							3 PLC ± -
							4 PLC ± -
							ANGLES ± -
							MATERIAL SEE TABLE
							FINISH SEE TABLE

DWN	P FORTNEY	1/2/91	Tyco Electronics Corporation Harrisburg, PA 17105-3608
CHK	MS FEHER	1/2/91	
APVD	G YETTER		
PRODUCT SPEC			
APPLICATION SPEC			NAME RING, LOCKING
WEIGHT	-		SIZE A2
CUSTOMER DRAWING			CAGE CODE 00779
			DRAWING NO C=63602
			RESTRICTED TO -
			SCALE 5:1
			SHEET 1 of 1
			REV D

单击下面可查看定价，库存，交付和生命周期等信息

[>>TE Connectivity\(泰科\)](#)