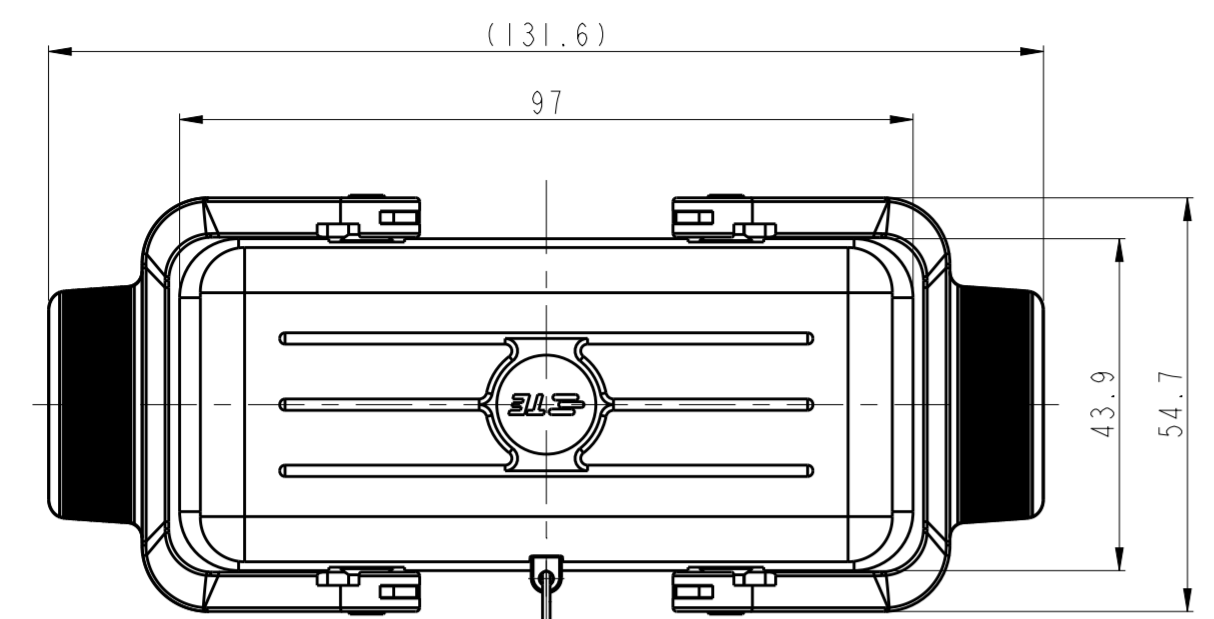


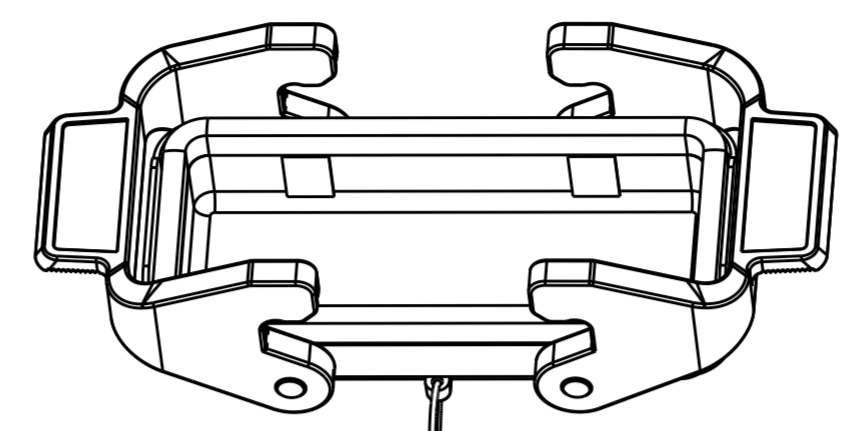
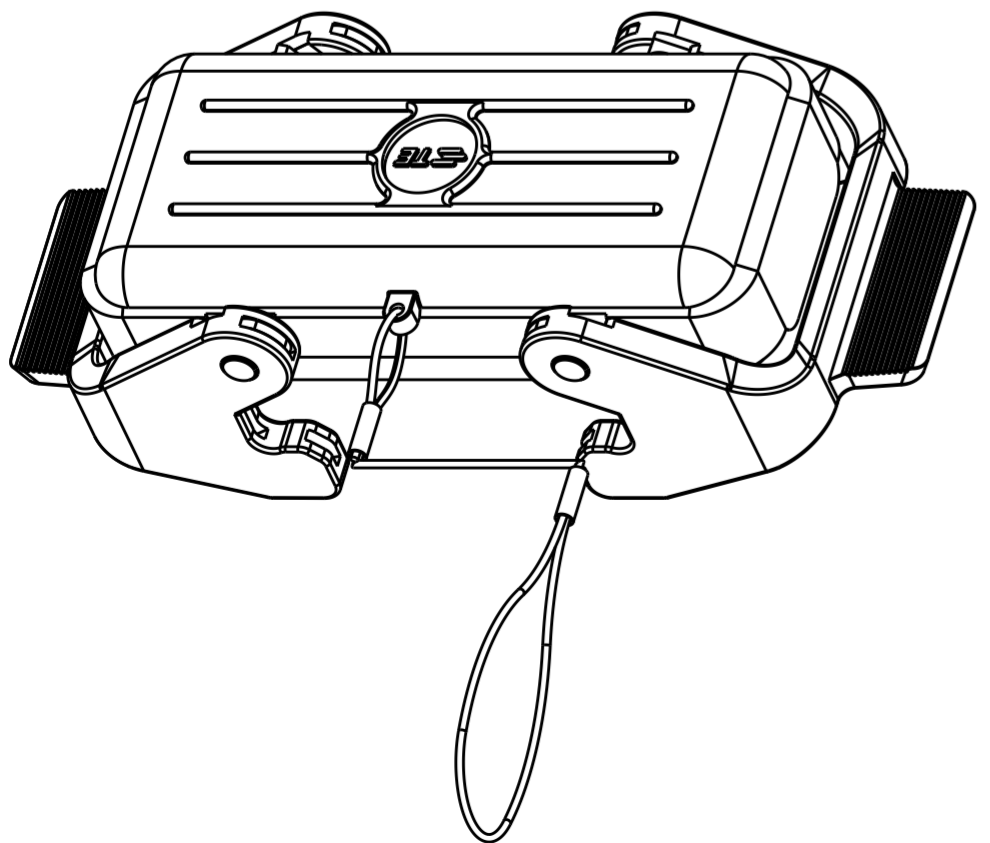
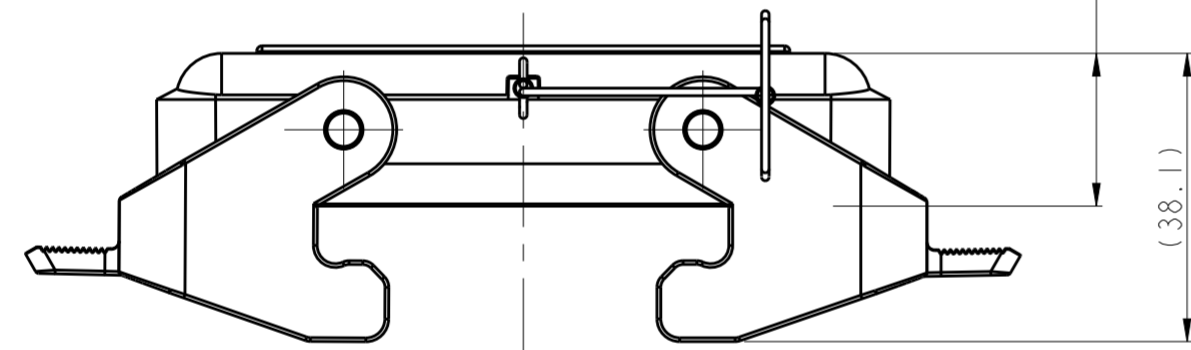
THIS DRAWING IS UNPUBLISHED. RELEASED FOR PUBLICATION
 © COPYRIGHT copyright_d81e- ALL RIGHTS RESERVED.

REVISIONS				
P	LTR	DESCRIPTION	DATE	APVD
	A	INITIAL	20JAN2017	CH CW
	AI	ECR-17-007543	27MAY2017	CH CW



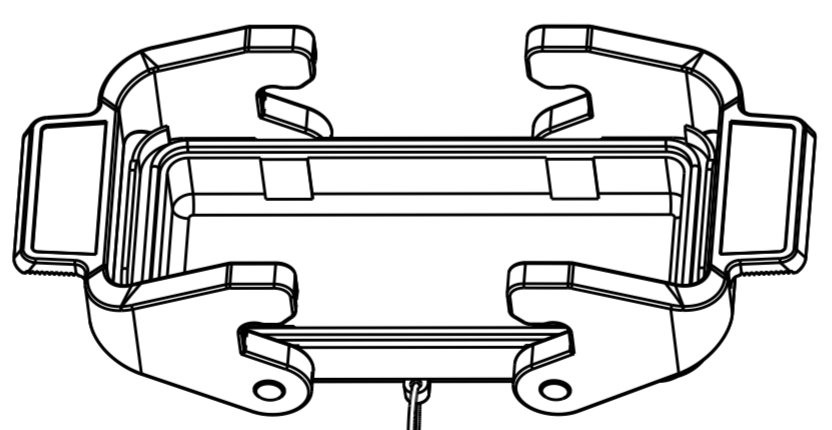
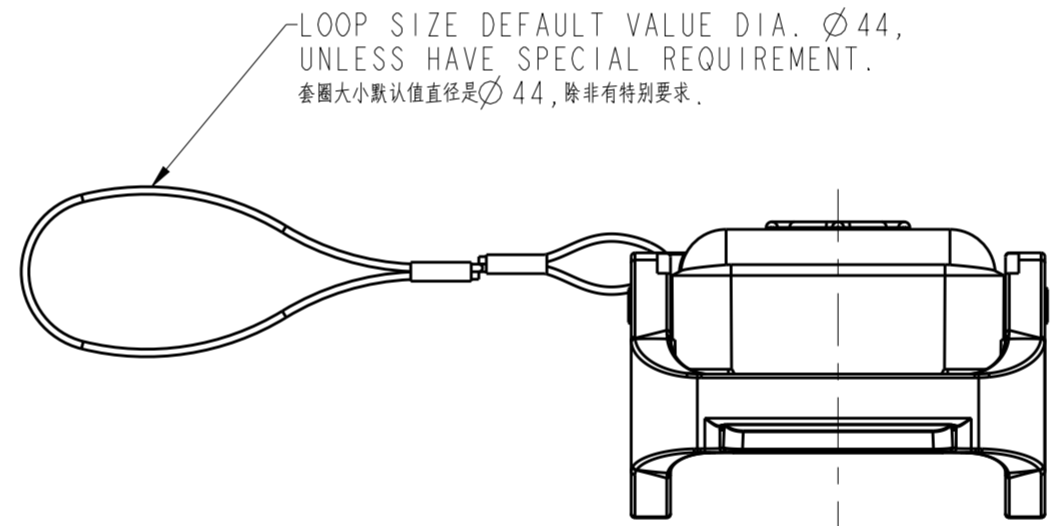
TRANSPARENT NYLON ROPE:
 TOTAL LENGTH 380mm,
 DIA. \varnothing 1.0mm
 透明尼龙绳: 总长380mm, 直径 \varnothing 1.0mm

20.2 DIM. WITH SEALING, NO DIM. WITHOUT SEALING
 带密封此尺寸, 不带密封此尺寸



SCALE 4:5

TYPE 2: THIS TYPE IS SAME AS TYPE1, ONLY ADD SEALING.
 类型2: 此类型同类型1, 只是增加了密封。



SCALE 4:5

TYPE 1
 类型1

NOTES:
 1. TECHNICAL CHARACTERISTICS:
 COVER MATERIAL: PC, GREY
 PLASTIC DOUBLE LOCKING MATERIAL: PC, GREY
 SEALING MATERIAL: EPDM, BLACK

注释:
 1. 技术参数:
 保护盖材料: PC, 灰色
 塑料双扣材质: PC, 灰色
 密封材质: EPDM, 黑色

T1010161200-000	H16B-KDTP	H16B HOOD PLASTIC PROTECTION COVER, PLASTIC DOUBLE LOCKING, SEALING, NYLON ROPE, GREY H16B上壳塑料保护盖, 塑料双扣, 带密封, 尼龙绳, 灰色	TYPE 2 类型2
T1010161100-000	H16B-KDTP-NR	H16B HOOD PLASTIC PROTECTION COVER, PLASTIC DOUBLE LOCKING, WITHOUT SEALING, NYLON ROPE, GREY H16B上壳塑料保护盖, 塑料双扣, 不带密封, 尼龙绳, 灰色	TYPE 1 类型1
PART NUMBER 料号	PART DESCRIPTION 描述		TYPE 类型

THIS DRAWING IS A CONTROLLED DOCUMENT.		DWN CHARLIE HU 20 JAN 2017	TE Connectivity	
		CHK KYLE ZENG 20 JAN 2017		
		APVD CHRIS WANG 20 JAN 2017		
DIMENSIONS: mm		TOLERANCES UNLESS OTHERWISE SPECIFIED:		NAME H16B-KDTP / H16B-KDTP-NR
		0 PLC \pm	1 PLC \pm	PRODUCT SPEC
		2 PLC \pm	3 PLC \pm	APPLICATION SPEC
		4 PLC \pm	ANGLES \pm	
MATERIAL		FINISH	WEIGHT	RESTRICTED TO
CUSTOMER DRAWING		SCALE 1:1	SHEET OF	REV AI

单击下面可查看定价，库存，交付和生命周期等信息

[>>TE Connectivity\(泰科\)](#)