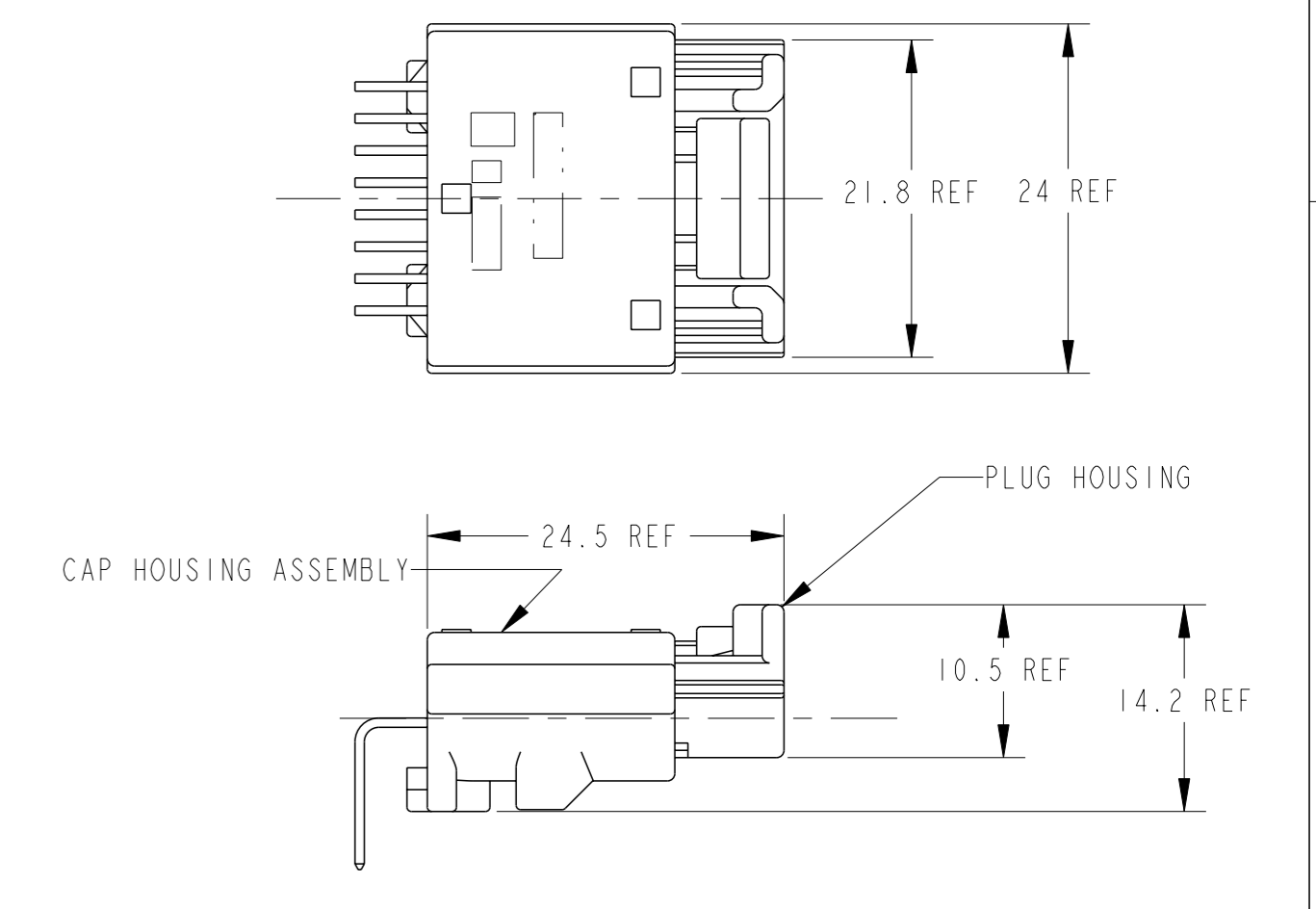
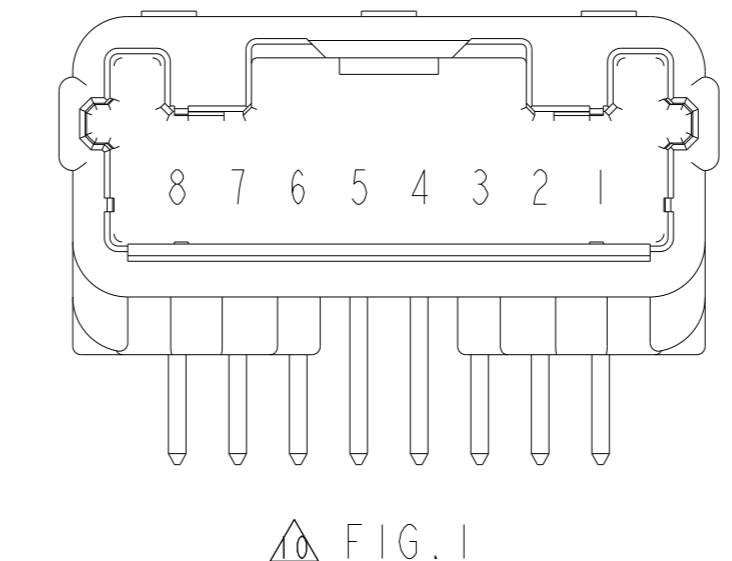
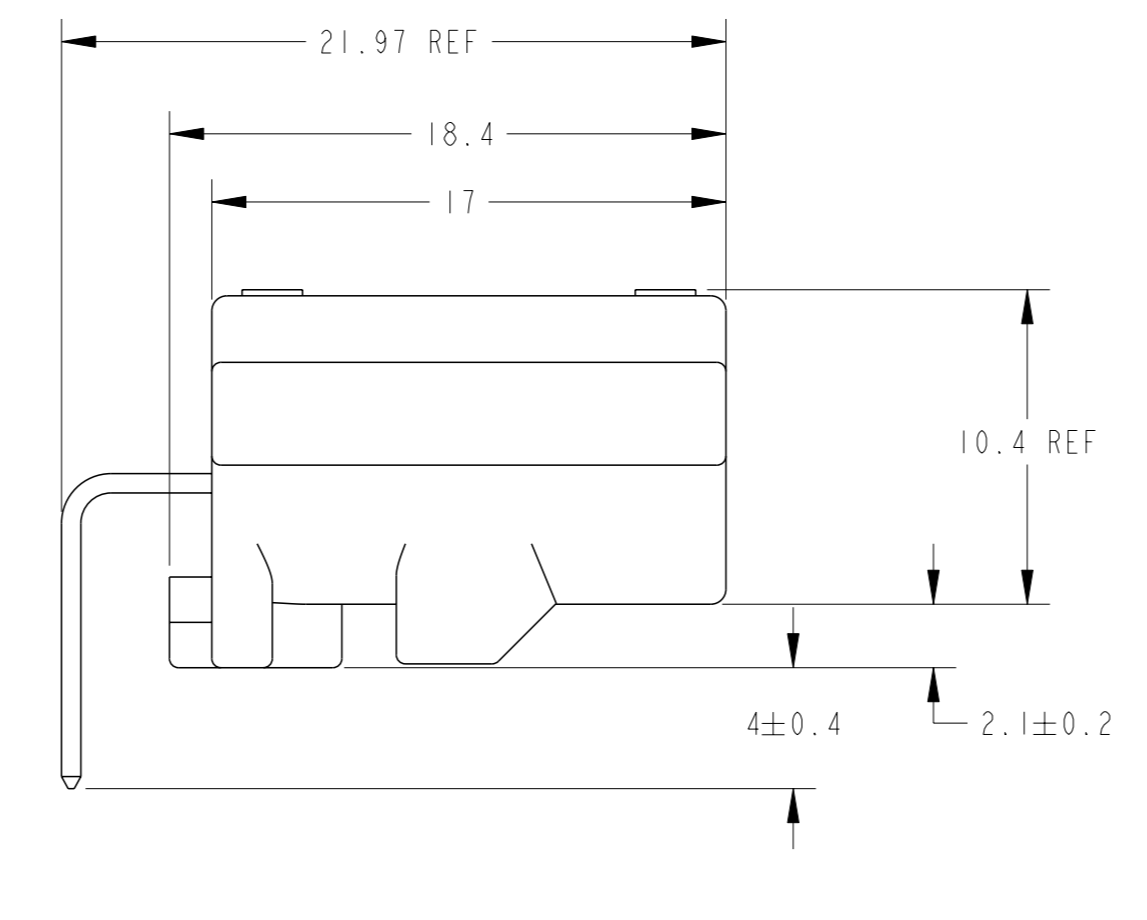
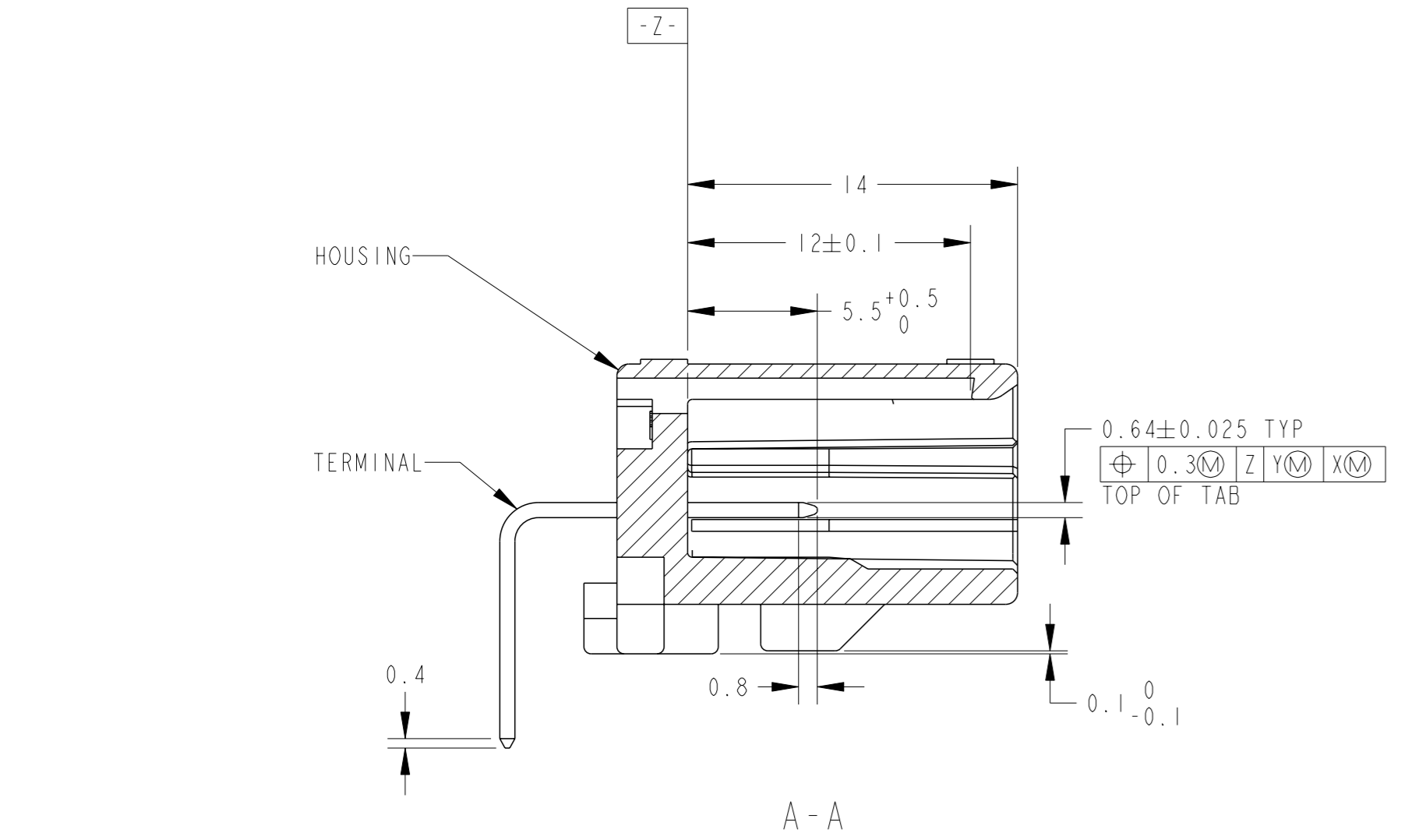
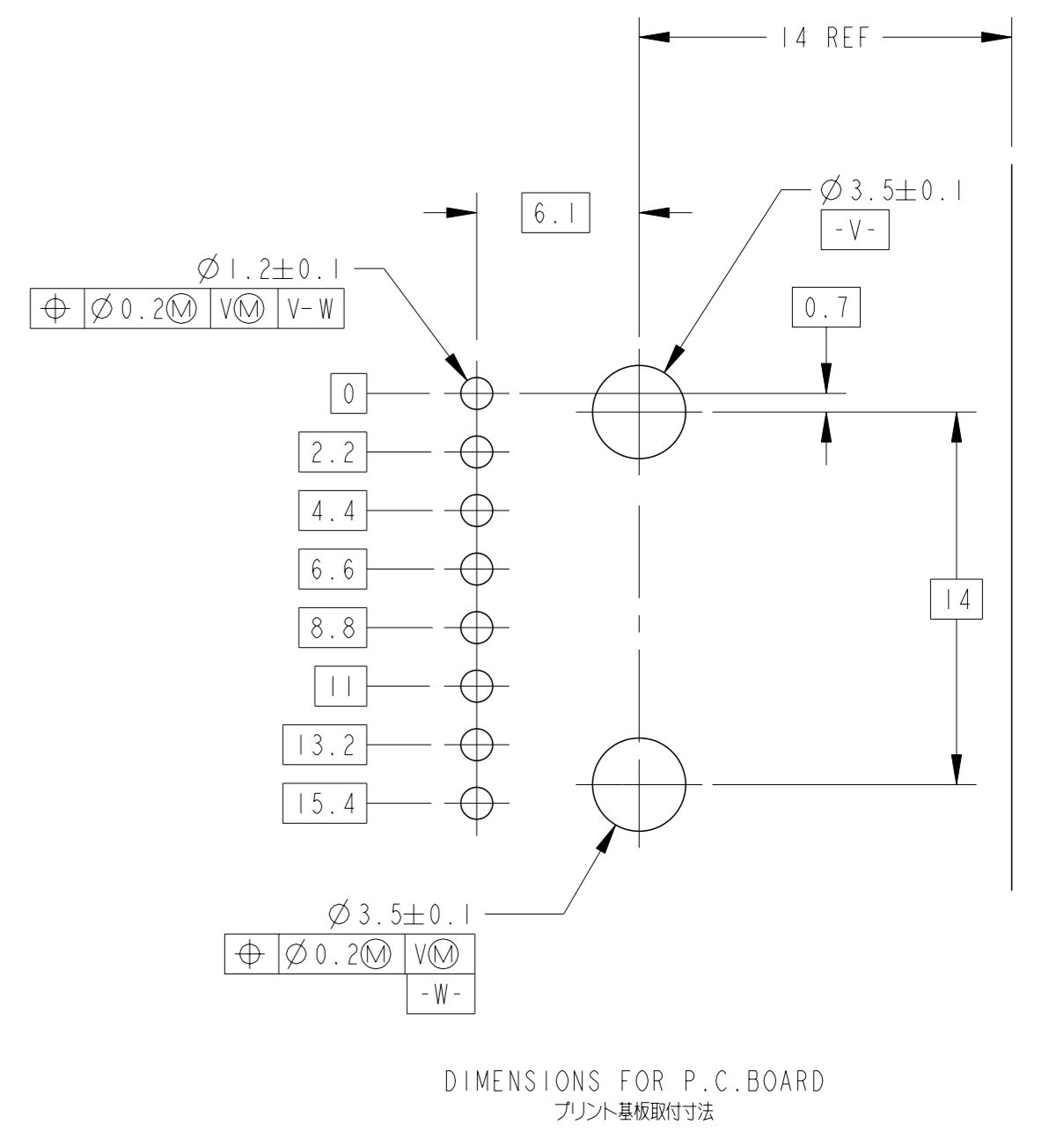
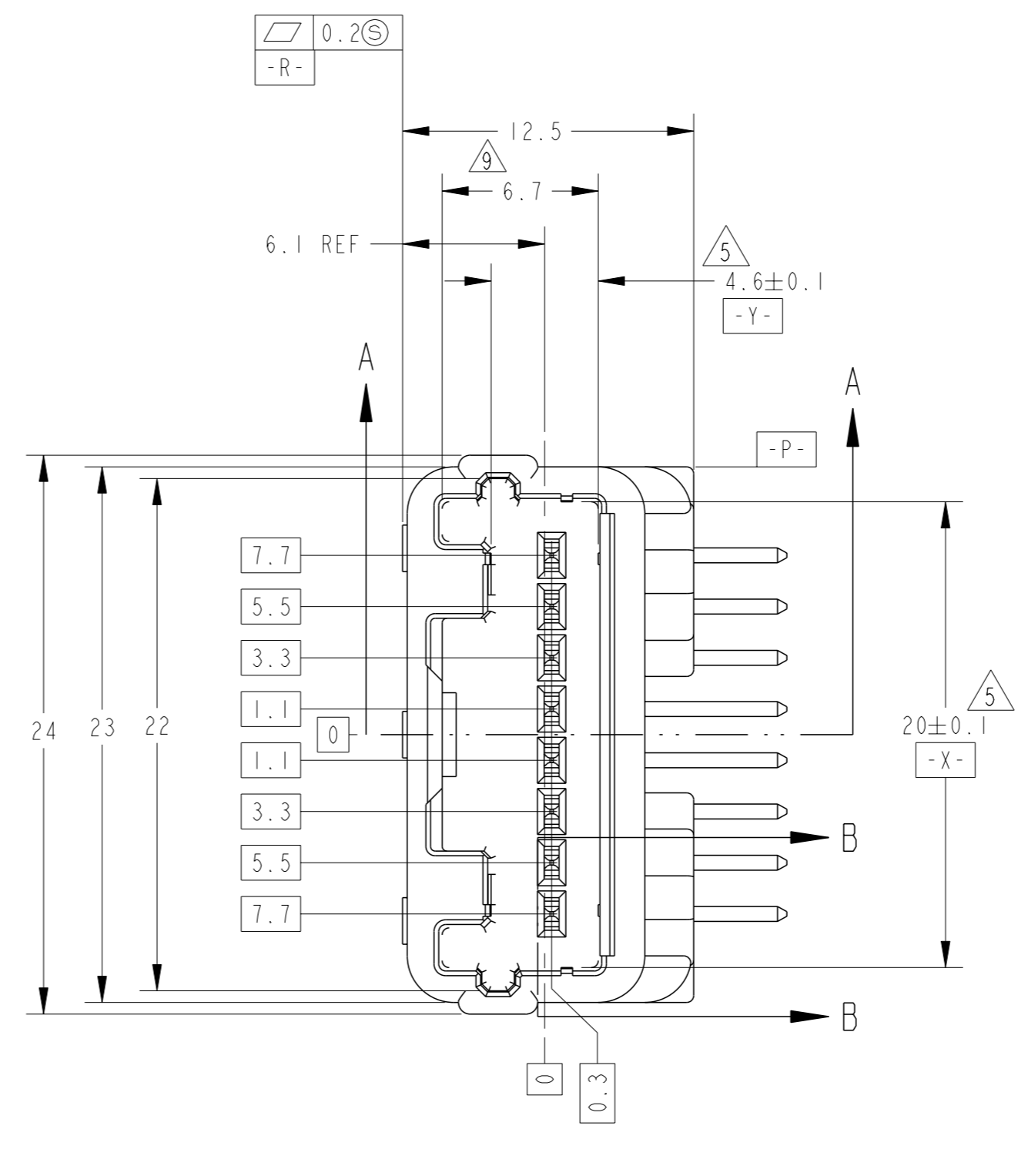
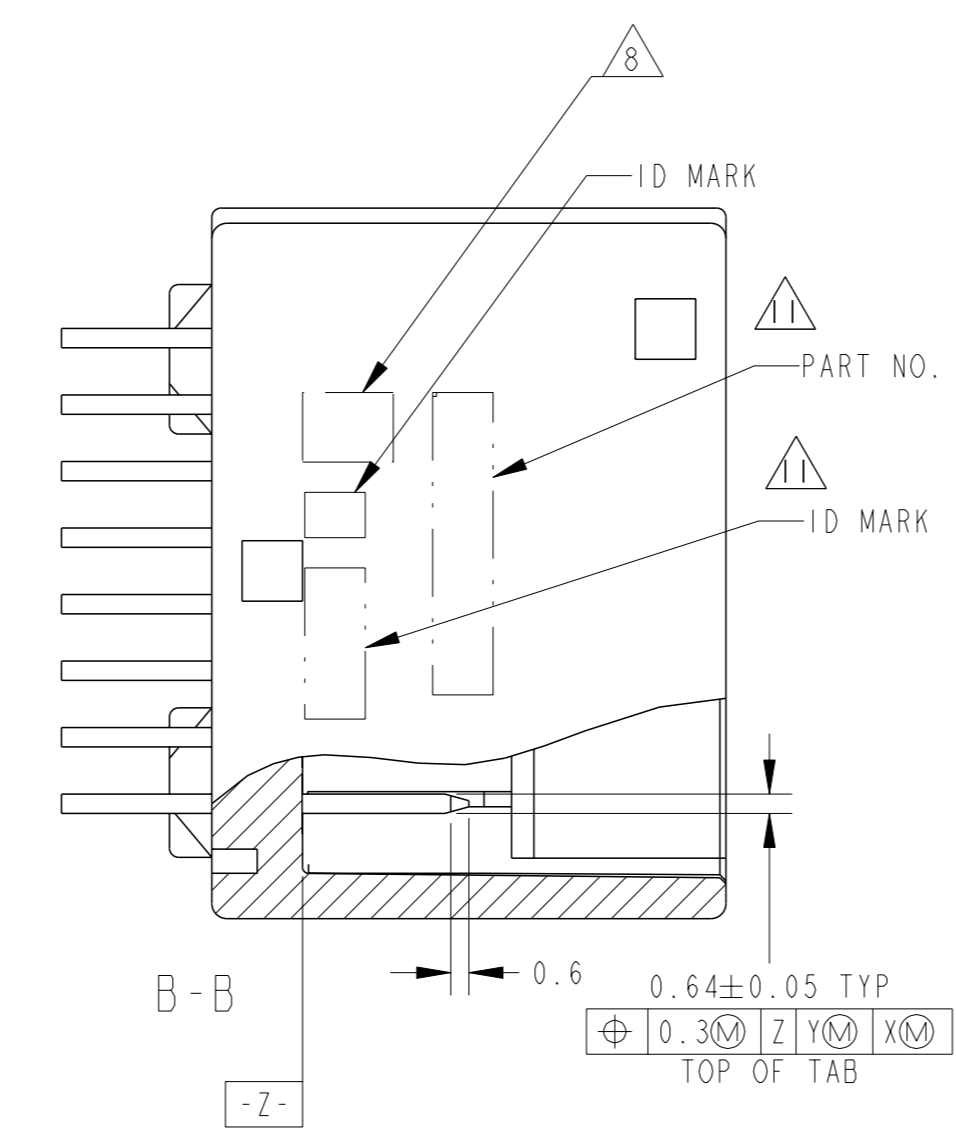
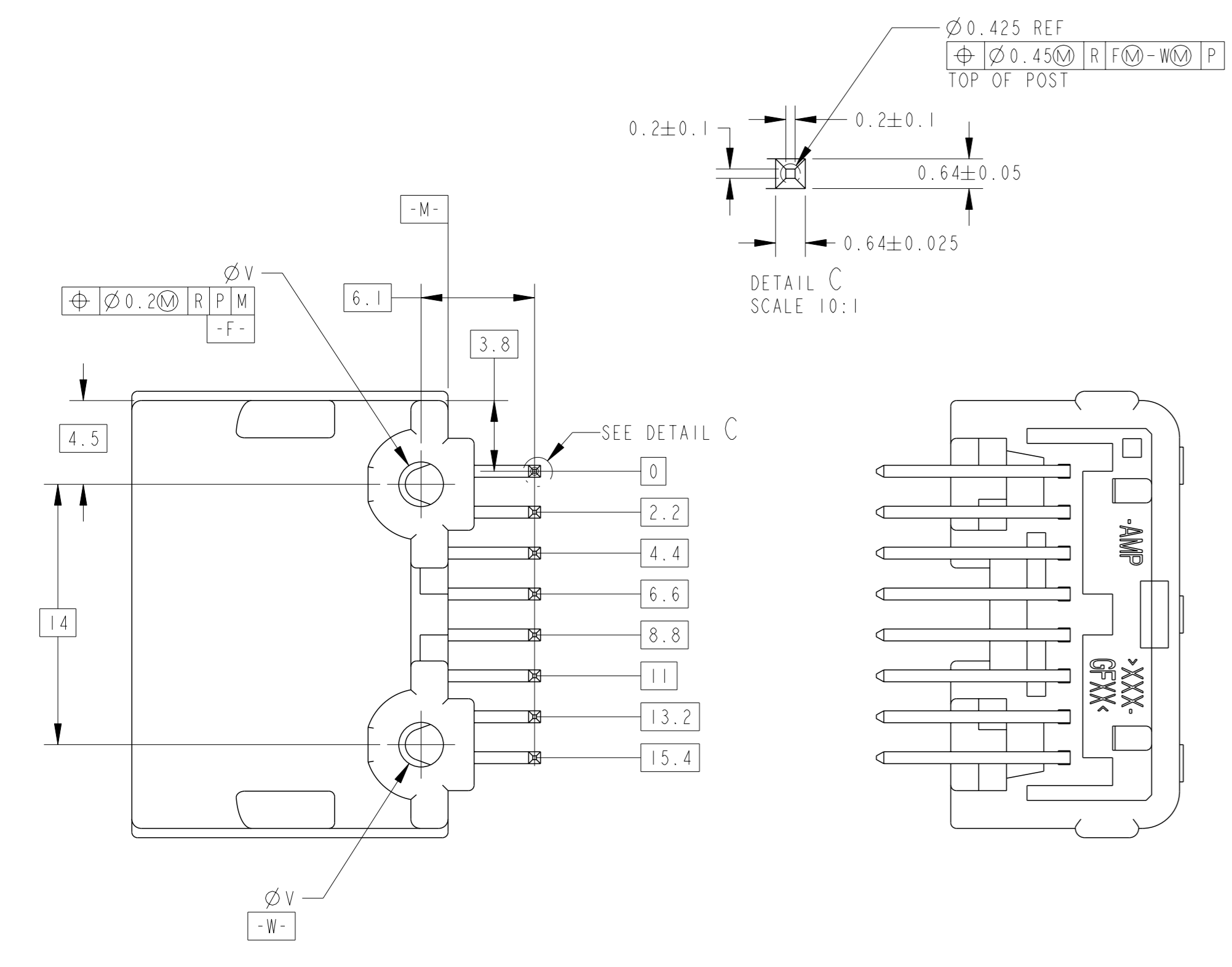


| REVISIONS |      |             |               |           |       |
|-----------|------|-------------|---------------|-----------|-------|
| REV       | DATE | DESCRIPTION | ECN           | OWN       | APVD  |
| B1        |      | OBSOLETE -3 | ECR-07-024069 | 170C107   | AY HY |
| B2        |      | ADDED -9    | ECR-09-010571 | 11MAY09   | TS KB |
| B3        |      | ADDED 1--0  | ECR-20-004298 | 03APR2020 | TH RK |
| B4        |      | ADDED 1--1  | ECR-21-116711 | 11OCT2021 | TH RK |



1. 嵌合相手(ハウジング)型番 ; TABLE-1  
プラグハウジング(P/N : 1376368-1)と支障なく嵌合、離脱できること
  2. 接触取付向き ; JIS B1115, B1122タッピンねじ、ねじ種  
ねじ径 3. 長さTABLE-2参照
  3. ねじ締め付トルク: 0.392N・m REF  
但し、管理値は別途規定すること。
  4. 本製品の取扱いについては、取扱説明書NO.411-5965  
に従うこと。
- △. [-Z-] より6mmの位置で測定
6. 適用プリント基板: 板厚 TABLE-2参照
  7. 嵌合相手端子構成 ; TABLE-3
- △. コンタクト仕上識別記号 ; 表参照
- △. [-Z-] より2mmの位置で測定
- △. 回路番号 ; FIG. 1参照
- △. PART NUMBER, ID MARKを表示
1. PLUG HOUSING TO BE MATED ; SEE TABLE-1  
TO BE MATED SMOOTHLY WITH THE PLUG HOUSING  
P/N ; 1376368-1.
  2. RECOMMENDED SCREW: PAN-HEADED, TYPE-2 TAPPING SCREW  
OF 3DIA, LENGTH: SEE TABLE-2 (JIS B1115, B1122).
  3. FASTENING TORQUE FOR SCREW: 0.392N・m REF  
BUT, TORQUE FOR OPERATION SHOULD BE PROVIDED RESPECTIVELY.
  4. AS FOR THE HANDLING OF THIS PRODUCT,  
FOLLOW THE INSTRUCTION SHEET NO.411-5965
- △. MEASURED AT 6mm FROM [-Z-].
6. APPLICABLE PRINTED CIRCUIT BOARD: THICKNESS SEE TABLE-2
  7. DETAILS OF TERMINALS TO BE MATED ; SEE TABLE-3.
- △. IDENTIFICATION MARK FOR THE CONTACT FINISH ; SEE TABLE
- △. MEASURED AT 2mm FROM [-Z-].
- △. CIRCUIT NUMBER: SEE FIG.1
- △. PART NUMBER, ID MARK INDICATED

TABLE-1

| POS.<br>極数 | FEMALE HOUSING<br>メスハウジング |
|------------|---------------------------|
|            | TE P/N                    |
| 8          | 1376368-1                 |
|            | 1746875                   |

TABLE-2

| THICKNESS OF PCB (mm)<br>プリント基板厚 (mm)        | 1.2 | 1.6 |
|--|-----|-----|
| NOMINAL LENGTH OF SCREW (mm)<br>固定用ねじ長さ (mm) | 5   | 6   |

TABLE-3

| SIGNAL  | FINISH<br>仕上 | POS<br>極数 | RECEPTACLE<br>CONTACT P/N | APPLICABLE<br>WIRE RANGE<br>適用電線  |
|---------|--------------|-----------|---------------------------|---|
| 025     | TIN          | 8         | 1123343-1                 | CAVS/CAVUS 0.22~0.5mm <sup>2</sup><br>AVSS/AVSSH-f/AESSX 0.3~0.5mm <sup>2</sup> |
| 0.64111 |              |           | 1674311-1                 | CAVS/CAVUS 0.3~0.5mm <sup>2</sup><br>AVSS/AVSSH-f 0.3~0.5mm <sup>2</sup>        |

| 6 | 6 | 3 | 3 | 4 | 3 | 1 | 1 | MARKING<br>マーキング | WEIGHT (g)<br>質量 | V | OUTER<br>外装         | INNER<br>内装                | SOLDERING SIDE<br>半田付け部  | CONTACT SIDE<br>接触部                     | GOLD PLATED CIRCUIT NO<br>金めっき回路番号 | TIN PLATED CIRCUIT NO<br>鍍めっき回路番号 | MATERIAL<br>材料 | COLOR<br>色 | PART NUMBER<br>型番 |
|---|---|---|---|---|---|---|---|------------------|------------------|---|---------------------|----------------------------|--------------------------|---|------------------------------------|-----------------------------------|----------------|------------|-------------------|
| △ | △ | △ | △ | △ | △ | △ | △ |                  |                  |   | PAPER BOX<br>ダンボール箱 | PLASTIC TUBE<br>プラスチックチューブ | SELECTIVE TIN<br>(MATTE) | SELECTIVE TIN (BRIGHT)                  | -                                  | 1, 8                              | SPS GF17       | NATURAL    | 1-1376366-1       |
| △ | △ | △ | △ | △ | △ | △ | △ |                  |                  |   | PLASTIC BOX<br>通し箱  | PLASTIC TUBE<br>プラスチックチューブ | SELECTIVE TIN<br>(MATTE) | SELECTIVE TIN (BRIGHT)                  | -                                  | 1, 8                              | SPS GF17       | NATURAL    | 1-1376366-0       |
| △ | △ | △ | △ | △ | △ | △ | △ |                  |                  |   | PLASTIC BOX<br>通し箱  | PLASTIC TUBE<br>プラスチックチューブ | SELECTIVE TIN<br>(MATTE) | SELECTIVE TIN (BRIGHT)                  | -                                  | 1~8                               | SPS GF17       | BLACK      | 1376366-9         |
| △ | △ | △ | △ | △ | △ | △ | △ |                  |                  |   | PAPER BOX<br>ダンボール箱 | PLASTIC TUBE<br>プラスチックチューブ | SELECTIVE TIN<br>(MATTE) | SELECTIVE TIN (BRIGHT)                  | -                                  | 1~8                               | SPS GF17       | NATURAL    | 1376366-8         |
| △ | △ | △ | △ | △ | △ | △ | △ |                  |                  |   | PAPER BOX<br>ダンボール箱 | PLASTIC TUBE<br>プラスチックチューブ | SELECTIVE TIN<br>(MATTE) | SELECTIVE TIN × 4<br>SELECTIVE GOLD × 4 | 3, 4, 5, 6                         | 1, 2, 7, 8                        | PBT GF15       | NATURAL    | 1376366-6         |
| △ | △ | △ | △ | △ | △ | △ | △ |                  |                  |   | PLASTIC BOX<br>通し箱  | PLASTIC TUBE<br>プラスチックチューブ | SELECTIVE TIN<br>(MATTE) | SELECTIVE TIN (BRIGHT)                  | -                                  | 1~8                               | SPS GF17       | NATURAL    | 1376366-5         |
| △ | △ | △ | △ | △ | △ | △ | △ |                  |                  |   | PAPER BOX<br>ダンボール箱 | PLASTIC TUBE<br>プラスチックチューブ | PRE-TINED X 8            |   | -                                  | 1~8                               | PBT GF15       | NATURAL    | 1376366-2         |
| △ | △ | △ | △ | △ | △ | △ | △ |                  |                  |   | PLASTIC BOX<br>通し箱  | PLASTIC TUBE<br>プラスチックチューブ | PRE-TINED X 8            |   | -                                  | 1~8                               | PBT GF15       | NATURAL    | 1376366-1         |

THIS DRAWING IS A CONTROLLED DOCUMENT.

OWNER: N. YASUDA 28AUG00  
CHK: N. SAI 28AUG00  
APVD: N. SAI 28AUG00

PRODUCT SPEC: 108-5664  
APPLICATION SPEC: 114-5250

SIZE: 114-5250  
WEIGHT: SEE TABLE  
CUSTOMER DRAWING

DATE: 11.04.2021 13:26 (From EJD46481)

SCALE: 4:1 SHEET 1 OF 1 REV B4

TE Connectivity  
025 SERIES 1/0 CONNECTOR  
8 POSITION CAP HOUSING ASSEMBLY IROW

00779 ©=1376366

单击下面可查看定价，库存，交付和生命周期等信息

[>>TE Connectivity\(泰科\)](#)