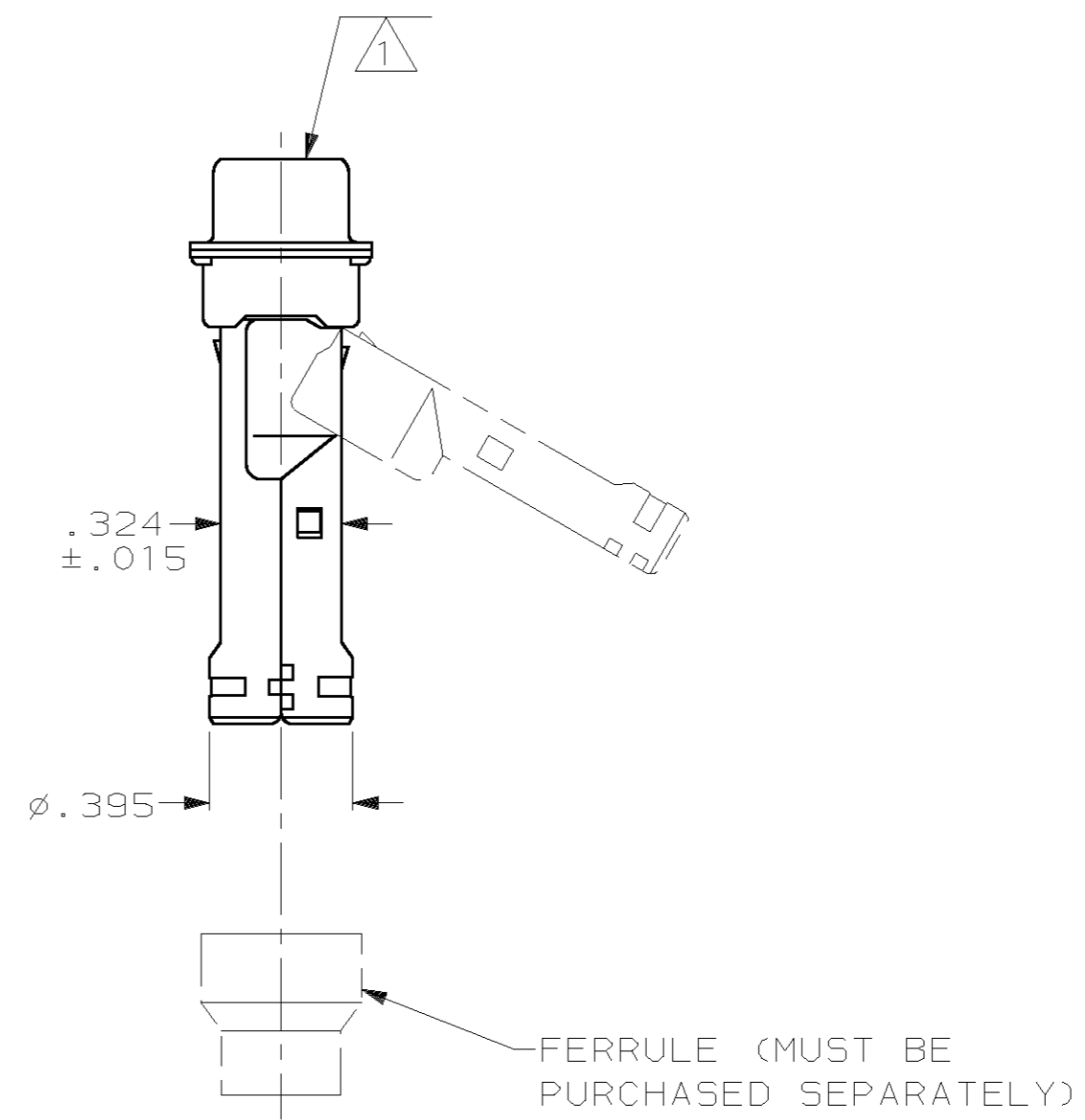
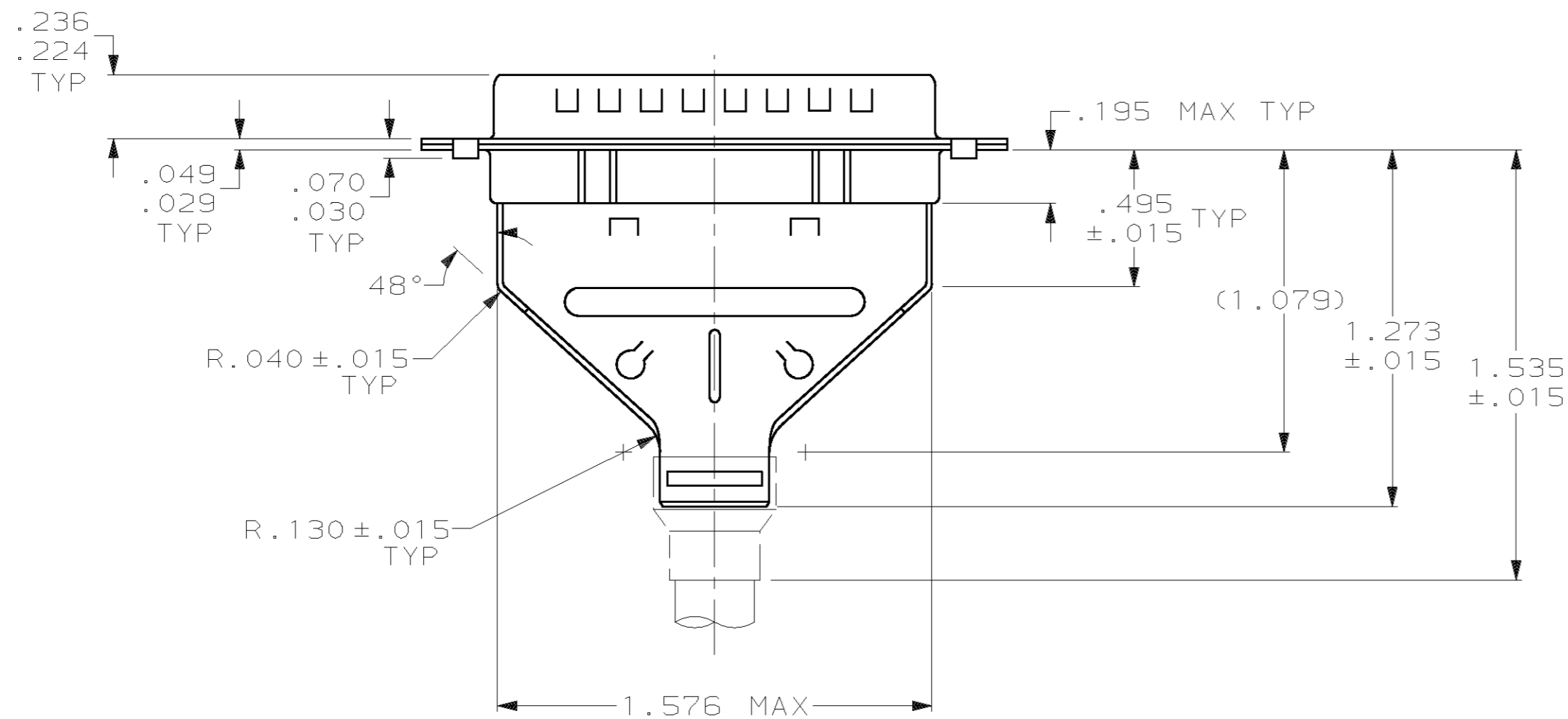
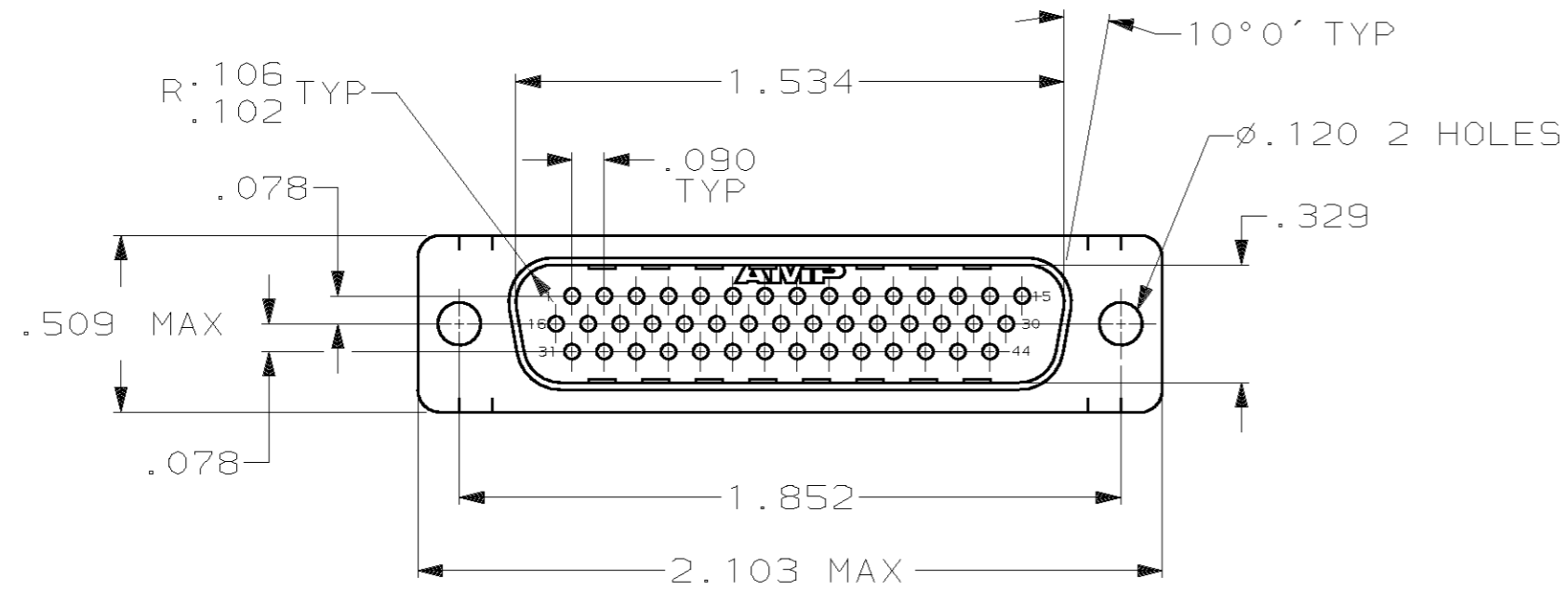


THIS DRAWING IS UNPUBLISHED. RELEASED FOR PUBLICATION
 BY AMP INCORPORATED, ALL RIGHTS RESERVED.

LOC	DIST	REVISIONS					
GP	00	P	LTR	DESCRIPTION	DATE	DWN	APVD
		0		RELEASED PER EC 0513-0209-03	02 JAN 04	LB	5B



- 1 PLUG ACCEPTS 22 PIN CONTACTS (CONTACTS MUST BE ORDERED SEPARATELY).
- 2. ALL PARTS SHIPPED UNASSEMBLED, EACH PART INDIVIDUALLY BULK PACKED.
- 3 FLAME RETARDANT 94V-0 GLASS FILLED NYLON, BLACK.
- 4 .000200 MIN. TIN PLATE OVER .000100 MIN. COPPER UNDERPLATE.

1658677-1
 PART NUMBER

THIS DRAWING IS A CONTROLLED DOCUMENT.		DWN L. BAUM 02JAN04	AMP Incorporated Harrisburg, PA 17105-3608			
DIMENSIONS: INCH		CHK S. BOLASH 02JAN04				
		APVD M. WALMSLEY 02JAN04				
TOLENCES UNLESS OTHERWISE SPECIFIED: 0 PLC ±- 1 PLC ±- 2 PLC ±- 3 PLC ±.005 4 PLC ±- ±2°		NAME KIT, PLUG, SHIELDING HARDWARE, SIZE 3, 44 POSN, HDP-22, AMPLIMITE™				
MATERIAL HOUSING: △ CARBON STEEL	FINISH △ SHELLS & SHIELDS:	PRODUCT SPEC 108-1268	SIZE A2	CAGE CODE 00779	DRAWING NO. C-1658677	RESTRICTED TO
CUSTOMER DRAWING		WEIGHT -	SCALE 2:1	SHEET 1 OF 1	REV 0	

单击下面可查看定价，库存，交付和生命周期等信息

[>>TE Connectivity\(泰科\)](#)