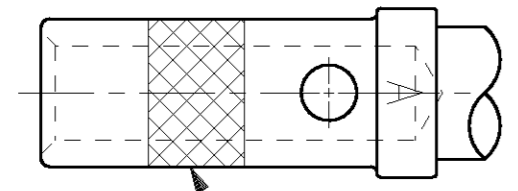
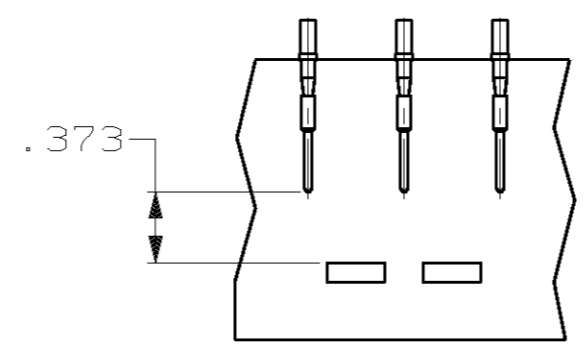


THIS DRAWING IS UNPUBLISHED. RELEASED FOR PUBLICATION .19
 © COPYRIGHT 19 BY AMP INCORPORATED. ALL RIGHTS RESERVED.

LOC	DIST	REVISIONS					
DF	AO	P	LTR	DESCRIPTION	DATE	DWN	APVD
		J		REV & REDRAWN; 0600-8098-98	7-99	CT	BG

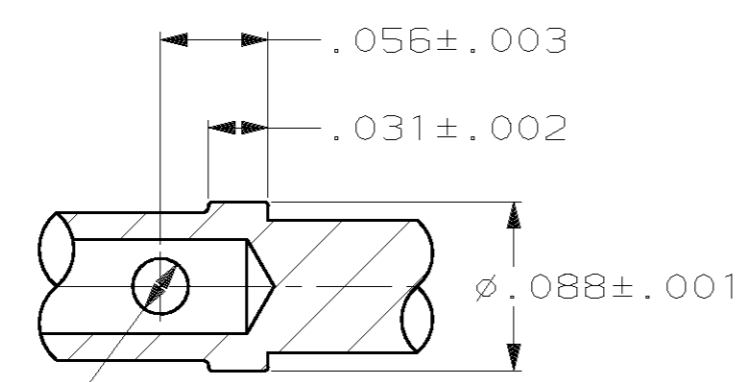
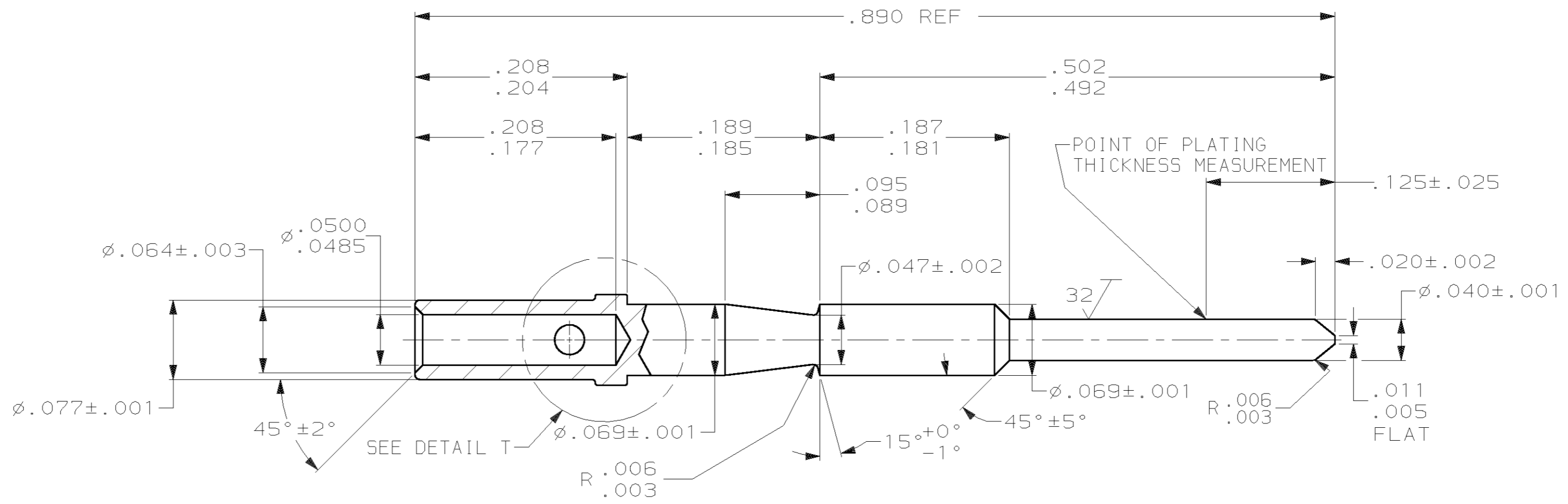


COLOR CODE GREEN



.373

TAPE MOUNTED ASS'Y
 SCALE 1:1
 203840-3 ONLY



$\phi .029 \pm .003$
 ONE WALL ONLY

DETAIL T

OBSELETE	TAPE MOUNTED	203840-3
	AS SHOWN	203840-2
REMARKS	PART NUMBER	

THIS DRAWING IS A CONTROLLED DOCUMENT.		DWN C.C. THOMAS 7-26-99	AMP Incorporated Harrisburg, PA 17105-3608	
DIMENSIONS: INCHES		CHK B. GROSS 7-27-99	NAME CONTACT, PIN, SIZE 20, ARINC 404	
TOLERANCES UNLESS OTHERWISE SPECIFIED:		APVD B. GROSS 7-27-99	SIZE A2	
0 PLC \pm		WIRE RANGE 20-24	CAGE CODE 00779	
1 PLC \pm		APPLICATION SPEC -	DRAWING NO C-203840	
2 PLC \pm		WEIGHT -	RESTRICTED TO -	
3 PLC $\pm .005$		CUSTOMER DRAWING	SCALE 10:1	
4 PLC \pm			SHEET 1 OF 1	
ANGLES \pm			REV J	
MATERIAL COPPER PER ASTM-B-301		FINISH .000050 MIN GOLD PER MIL-G-45204 OVER COPPER		

单击下面可查看定价，库存，交付和生命周期等信息

[>>TE Connectivity\(泰科\)](#)