

FIGURE 1

1. INTRODUCTION

The A-MP Insertion Tool 91056-1 is recommended for inserting On-Contact Keying Plugs 583487 into AMP-TAB Dual and Quad Connectors. Read these instructions carefully before using this tool.

2. DESCRIPTION

This tool consists of a Plunger and Plunger Housing. The Plunger Tip is designed to distribute the full insertion force on the Keying Plug. This ensures proper seating of the Keying Plug without any possible damage to the Connector. Keying Plug Guides have been designed on the Plunger Housing to facilitate centering of the Keying Plugs on the Contact Pads. See Figure 1.

3. INSERTING KEYING PLUGS

NOTE The cavity into which the Keying Plug is being inserted, may or may not have a contact in it.

Install the Keying Plugs as follows:

1. With the Plunger fully bottomed, place the chamfered end of the Keying Plug between Guides. Be sure the plug is seated squarely on the Plunger Tip.
2. Push the Keying Plug back into the Plunger Housing approximately 1/8 of an inch beyond the end of the Guides. See Figure 2.

3. With the Connector FIRMLY SUPPORTED, position the Guides over the Contact Pads. See Figure 2.
4. Grip the tool between the thumb and forefinger and insert the Guides into the Connector until the Tool Stop is flush against the Connector Housing.

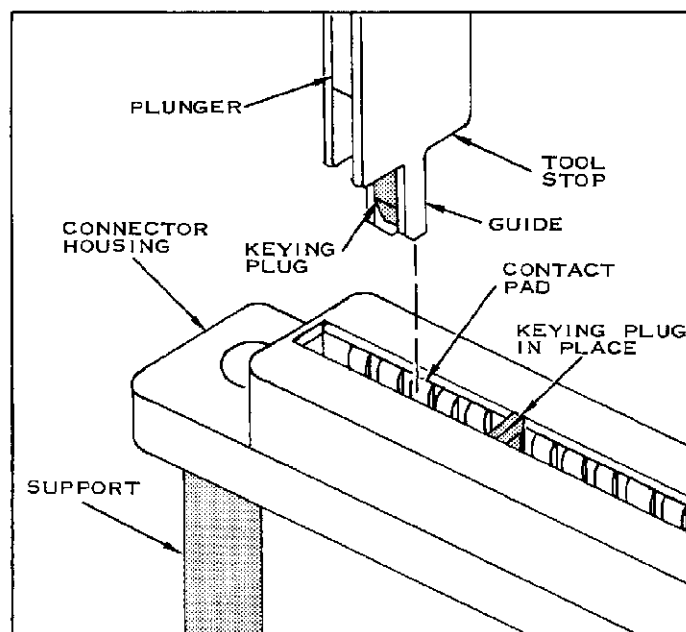


FIGURE 2

- Now, hold the tool with one hand and depress the Plunger with the other; using sufficient force to snap the Keying Plug in place. Be sure the Keying Plug is flush with the Connector Housing. Remove the tool from the cavity.

4. REMOVING KEYING PLUGS

When a Keying Plug is removed from a Contact to make provisions for an additional electrical circuit; the Contact must be removed and replaced with a new one.

CAUTION We recommend Contacts be removed by qualified personnel to prevent possible damage to the Connector Housing.

Remove the Keying Plug as follows:

- Select a pair of modified needle-nose pliers with good gripping capability. Insert the tool into the cavity and firmly grip the Keying Plug to be removed. See Figure 3.
- Pull straight out on the Keying Plug to dislodge the shoulders of the Keying Plug from the locking edge of the contact cavity.

CAUTION Be careful not to damage the adjacent Contacts or Connector Housing.

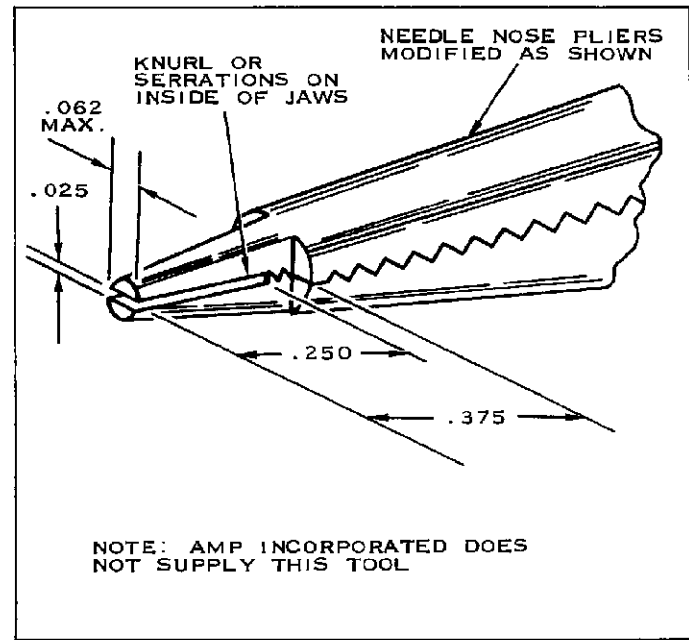


FIGURE 3

- Remove the Contact with an extraction tool. We recommend the A-MP Extraction Tool 91018-1 for Dual Connectors and 91018-2 for Quad Connectors. Read the instructions packed with the tool before using these tools.
- Insert a new contact into the cavity.

单击下面可查看定价，库存，交付和生命周期等信息

[>>TE Connectivity\(泰科\)](#)