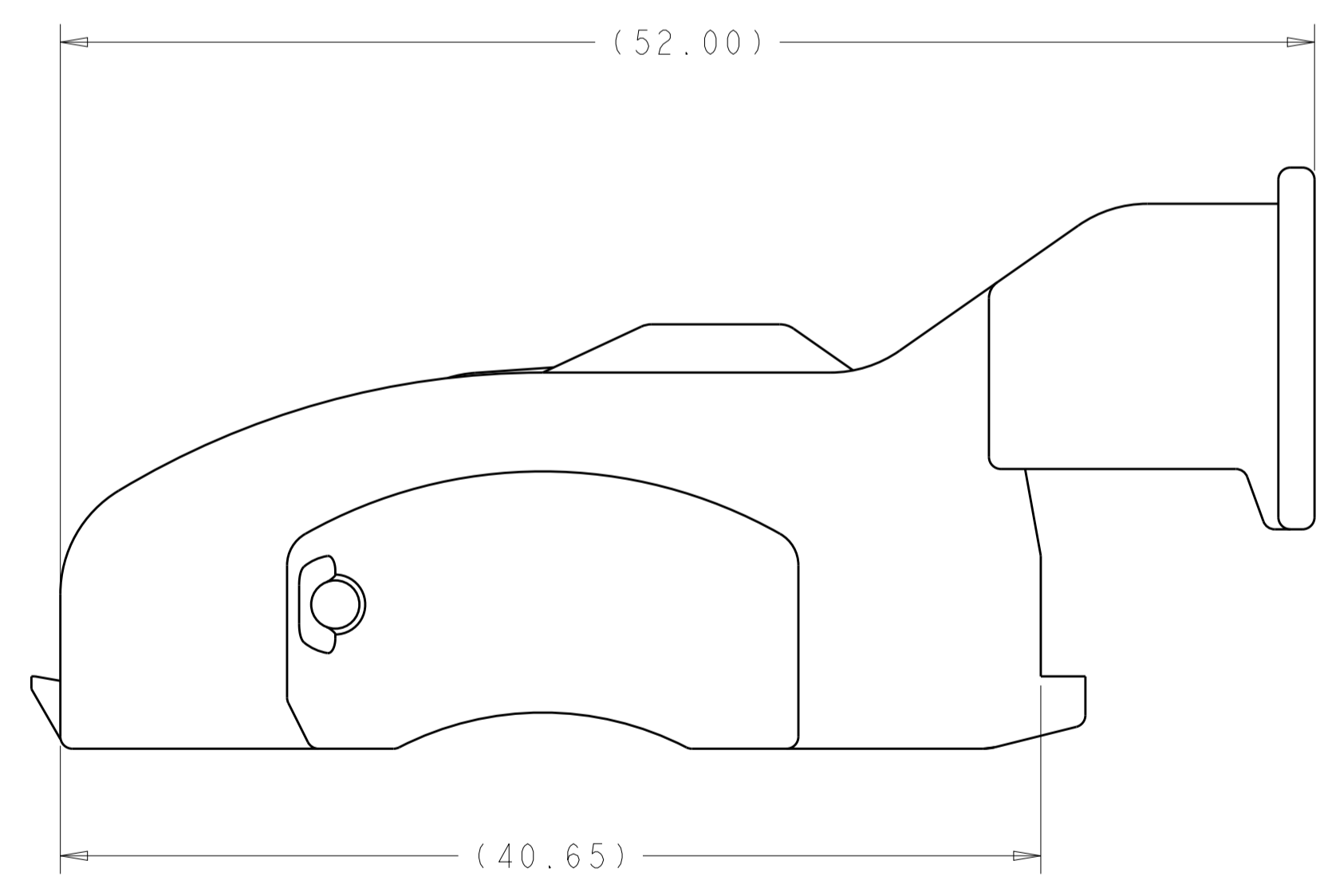
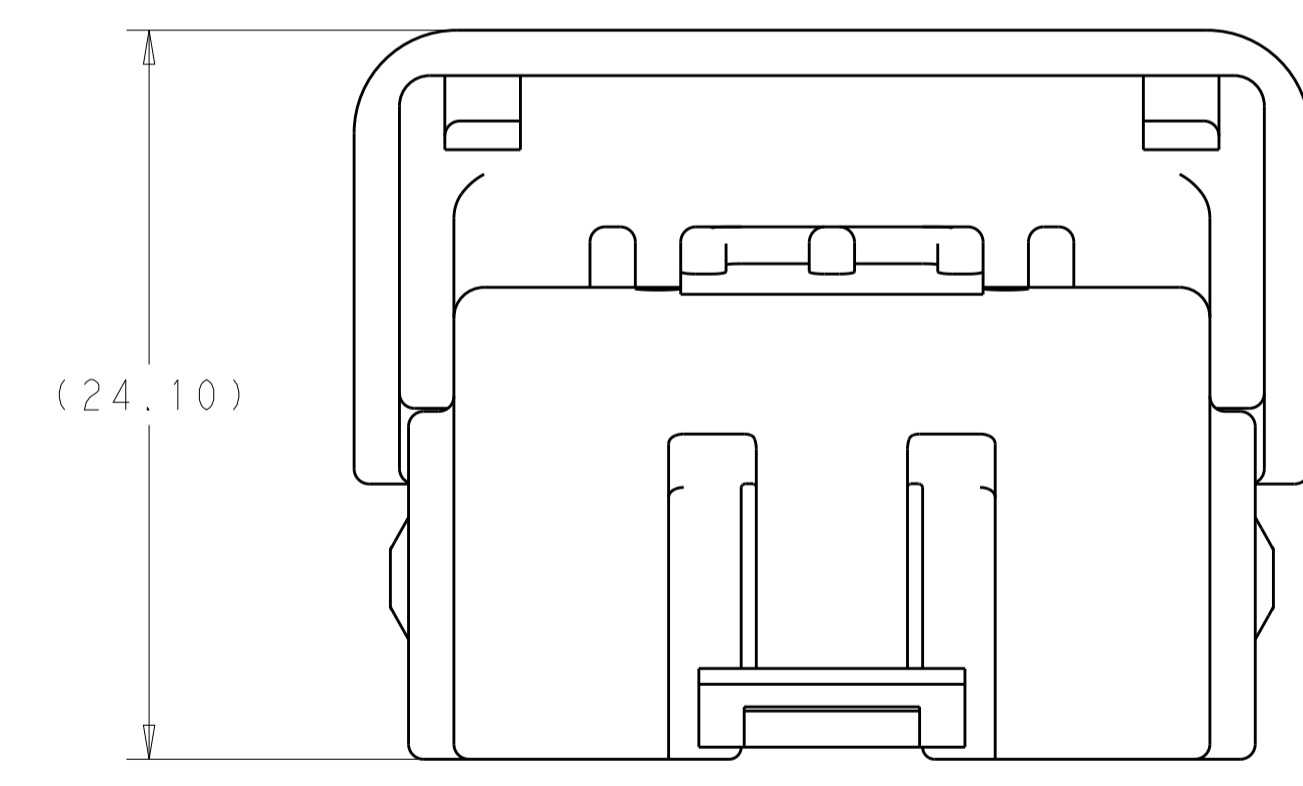
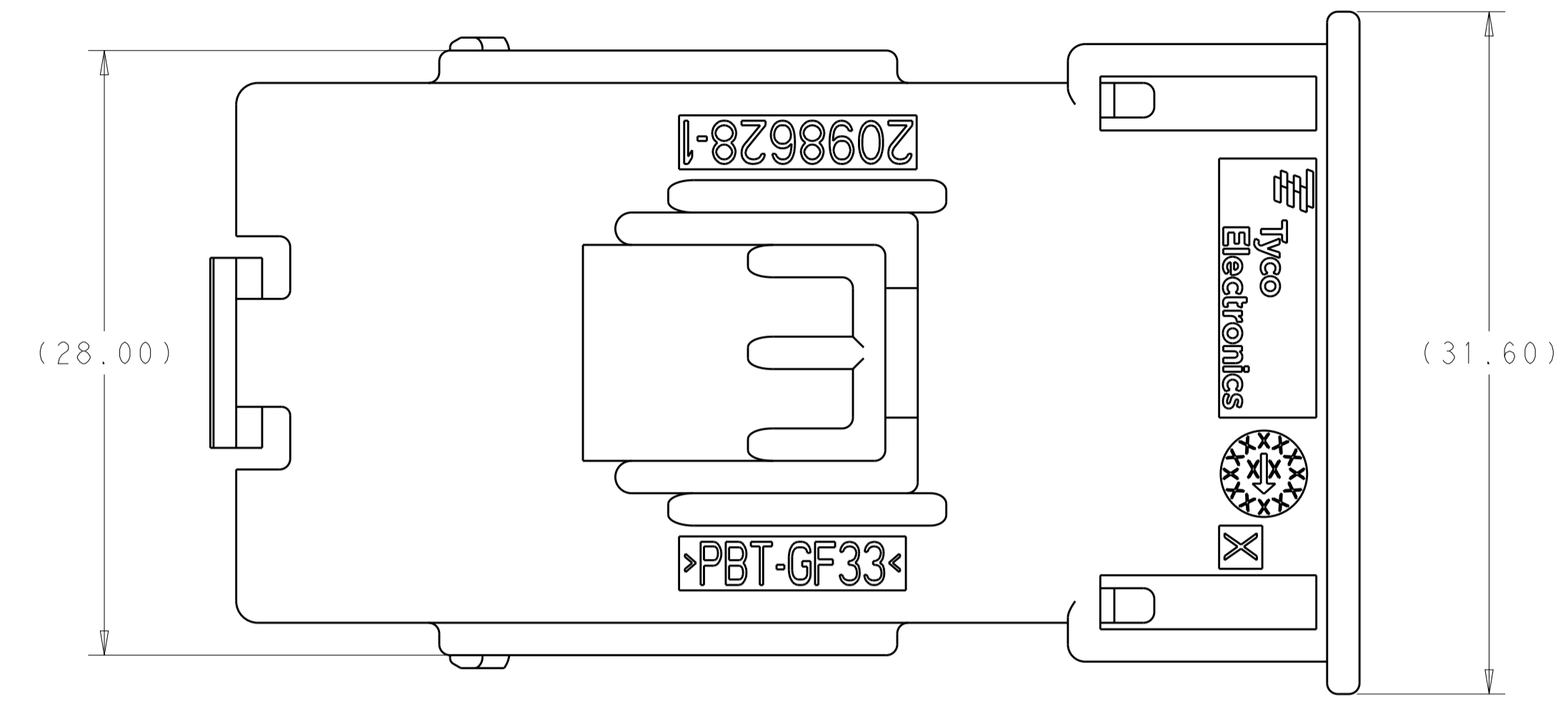
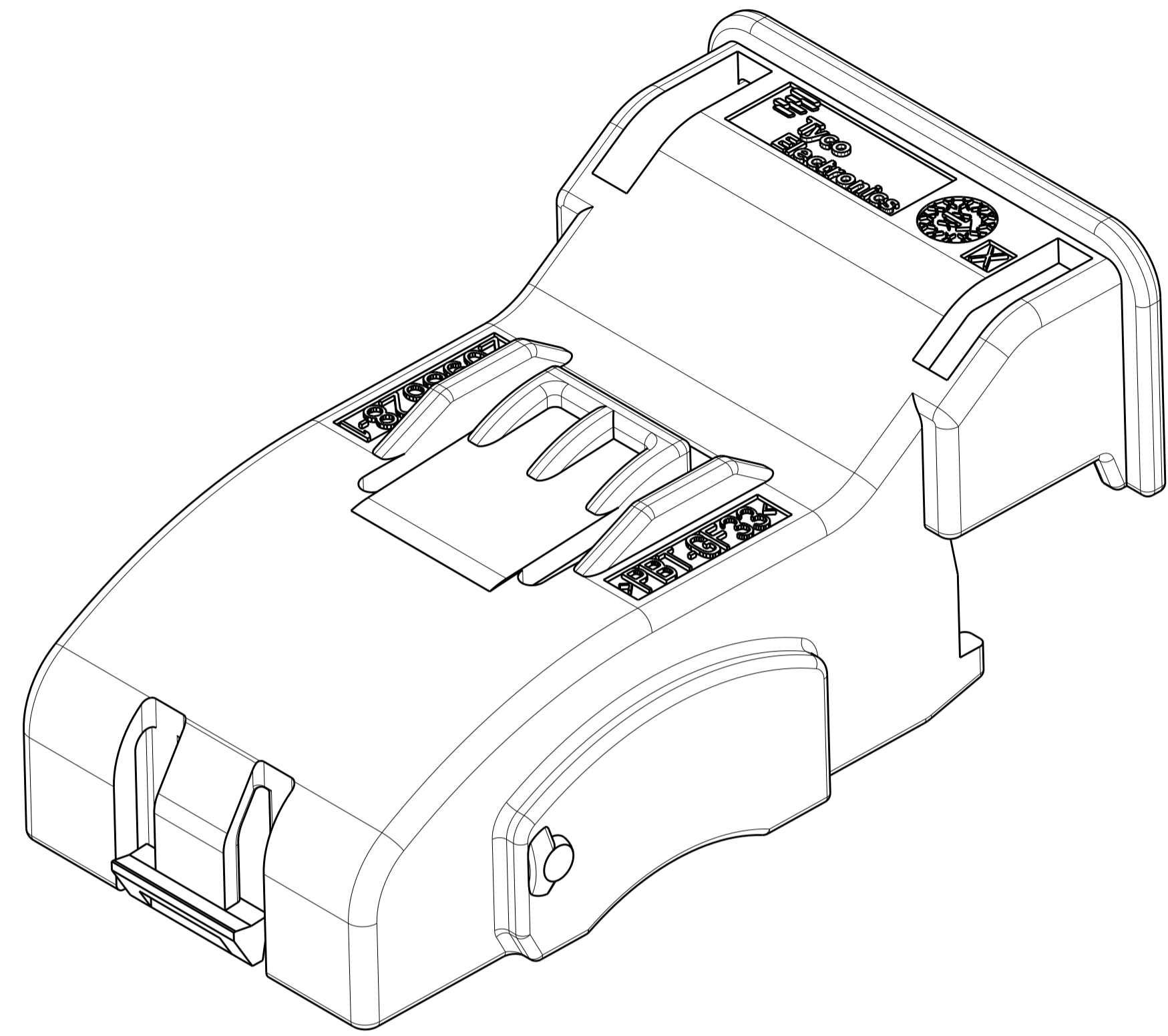


LOC		DIST		REVISIONS			
P	LTN	DESCRIPTION	DATE	DMN	APVD		
A		RELEASED	20FEB2012	MBH	RH		
B		REV PER ECO-12-019809	09NOV2012	MBH	RH		



- NOTES:
 1. MATERIAL: PBT GLASS FILLED 33% (>PBT-GF33<)
 2. MATING COMPONENT 2098627.

THIS DRAWING IS A CONTROLLED DOCUMENT.		DMN	M. HITCHCOCK	20FEB2012	TE Connectivity NAME 22P UNSEALED HYBRID WIRE DRESS (12X 1.5, 7X 2.8, 3X 6.3)
DIMENSIONS:		CHK	R. HETRICK	20FEB2012	
mm		APVD	R. HETRICK	20FEB2012	
0 PLC ±0.0 1 PLC ±0.3 2 PLC ±0.1 3 PLC ±0.0 4 PLC ±0.0 ANGLES ±0.0		PRODUCT SPEC APPLICATION SPEC		RESTRICTED TO	
MATERIAL		FINISH		WEIGHT	SIZE CAGE CODE DRAWING NO
					A100779C=2098628
				CUSTOMER DRAWING	SCALE 4:1 SHEET 1 OF 1 REV B

单击下面可查看定价，库存，交付和生命周期等信息

[>>TE Connectivity\(泰科\)](#)