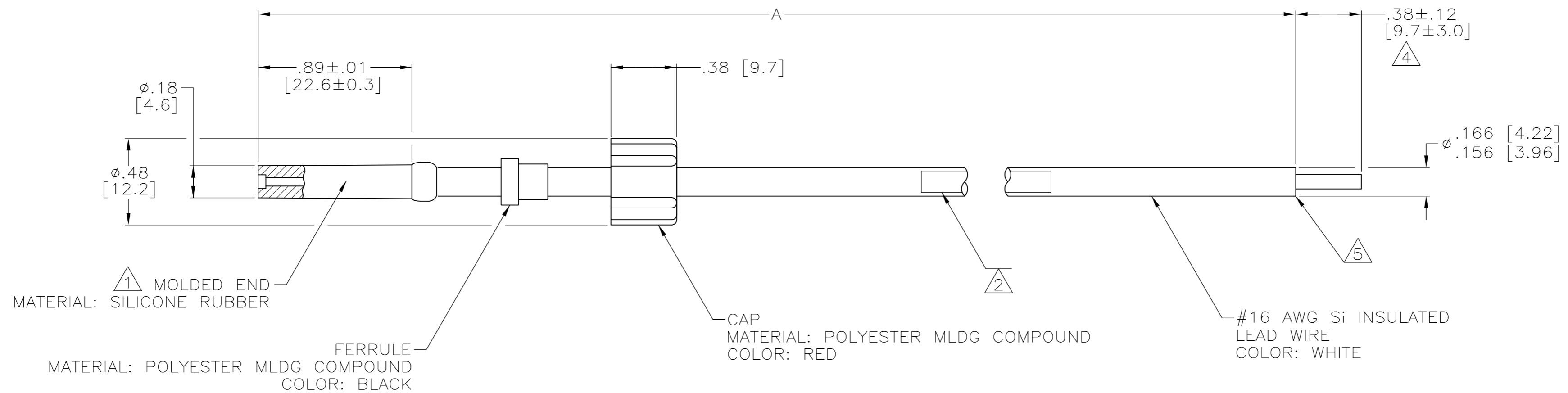


THIS DRAWING IS UNPUBLISHED. RELEASED FOR PUBLICATION - N/A .
 © COPYRIGHT N/A TE Connectivity ALL RIGHTS RESERVED.

| REVISIONS | | | | |
|-----------|-----|-----------------------|----------|----------|
| P | LTR | DESCRIPTION | DATE | DWN APVD |
| J | | REV PER ECO 17-014647 | 10-10-17 | CT DM |



- 1 TO MATE WITH AMP LGH 1/2L RECEPTACLE WITH .89 [22.6] BARREL DEPTH
- 2 MARK PER MIL-STD-130.
- 3. OPERATING VOLTAGE: 15 KVDC AT 0 TO 70,000 FEET, -55°C TO 125°C.
- 4 PIGTAILS ARE SOLDER DIPPED.
- 5 INSULATION CUT, BUT NOT REMOVED.

| | | | |
|----------|-----------------------|-----------------------|------------|
| 5 | 14.63±.12 [371.6±3.0] | 6-863534-4 | |
| 5 | 36.00±.24 [914.4±6.1] | 5-863534-9 | |
| 5 | 10.00±.12 [254.0±3.0] | 5-863534-3 | |
| 4 | 16.63±.12 [422.4±3.0] | 1-863534-6 | |
| OBSOLETE | 4 | 5.63±.12 [143.0±3.0] | 1-863534-5 |
| | 4 | 14.63±.12 [371.6±3.0] | 1-863534-4 |
| OBSOLETE | 4 | 14.50±.12 [368.3±3.0] | 1-863534-3 |
| OBSOLETE | 4 | 9.00±.12 [228.6±3.0] | 1-863534-2 |
| | 4 | 20.00±.12 [508.0±3.0] | 1-863534-1 |
| OBSOLETE | 4 | 19.00±.12 [482.6±3.0] | 1-863534-0 |
| | 4 | 36.00±.24 [914.4±6.1] | 863534-9 |
| OBSOLETE | 4 | 24.00±.24 [609.6±6.1] | 863534-8 |
| | 4 | 21.00±.12 [533.4±3.0] | 863534-7 |
| | 4 | 18.00±.12 [457.2±3.0] | 863534-6 |
| | 4 | 15.00±.12 [381.0±3.0] | 863534-5 |
| OBSOLETE | 4 | 12.00±.12 [304.8±3.0] | 863534-4 |
| | 4 | 10.00±.12 [254.0±3.0] | 863534-3 |
| OBSOLETE | 4 | 8.00±.12 [203.2±3.0] | 863534-2 |
| OBSOLETE | 4 | 6.00±.12 [152.4±3.0] | 863534-1 |

| REMARKS | A | PART NO |
|---------|---|---------|
|---------|---|---------|

| | | | | |
|--|--|--------------------------|------------------------|-----------|
| THIS DRAWING IS A CONTROLLED DOCUMENT. | | DWN T.SHUEY 29-SEP-89 | TE Connectivity | |
| DIMENSIONS: INCHES [mm] | | CHK C.CHEHOVIN 09-OCT-89 | | |
| TOLERANCES UNLESS OTHERWISE SPECIFIED: | | APVD D.EABY 09-OCT-89 | NAME | |
| 0 PLC ± - | | PRODUCT SPEC | LEAD ASSY | |
| 1 PLC ± - | | APPLICATION SPEC | SGL END, POSITIVE STOP | |
| 2 PLC ± .02 [0.5] | | | LGH-1/2L | |
| 3 PLC ± - | | | SIZE | CAGE CODE |
| 4 PLC ± - | | | A2 | 00779 |
| ANGLES ± - | | WEIGHT | DRAWING NO | |
| FINISH | | 0.000000 | C=863534 | |
| | | CUSTOMER DRAWING | SCALE | SHEET |
| | | | 2:1 | 1 of 1 |
| | | | REV | J |

单击下面可查看定价，库存，交付和生命周期等信息

[>>TE Connectivity\(泰科\)](#)