

THIS DRAWING IS UNPUBLISHED.

RELEASED FOR PUBLICATION

-, -

LOC

DIST

REVISIONS

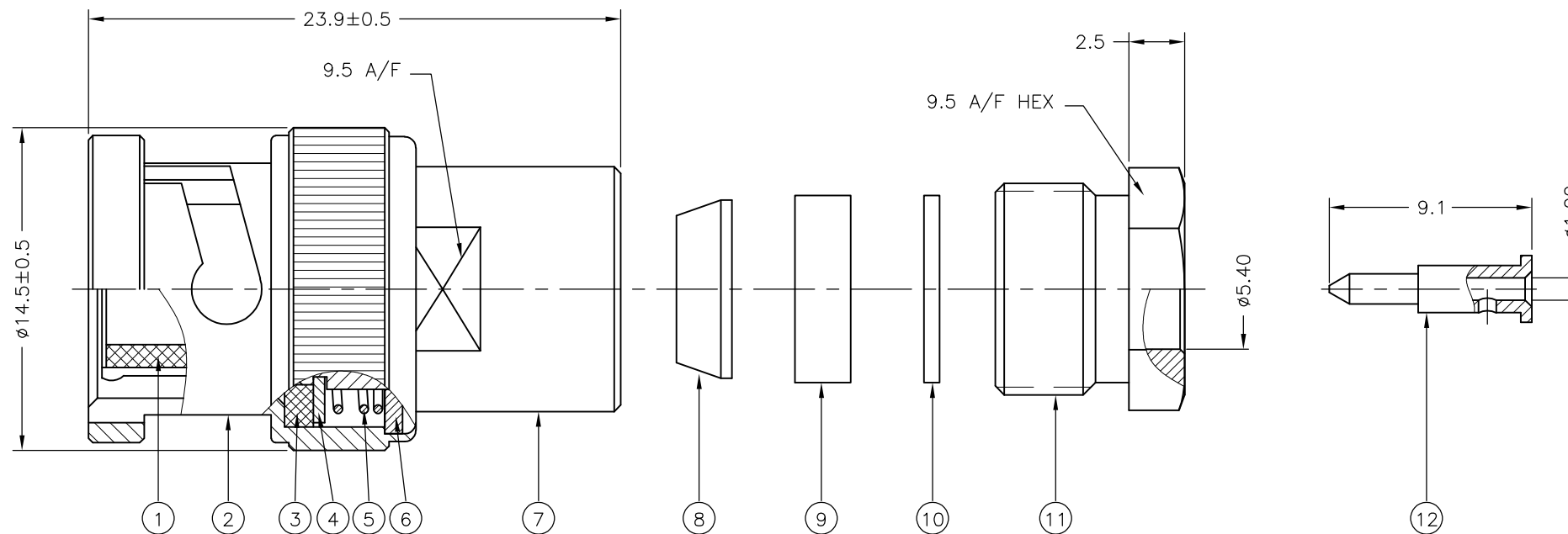
© COPYRIGHT - By -

ALL RIGHTS RESERVED.

P	LTR	DESCRIPTION	DATE	DWN	APVD
	D	ECR-14-000528	18SEP2014	RZ	MY

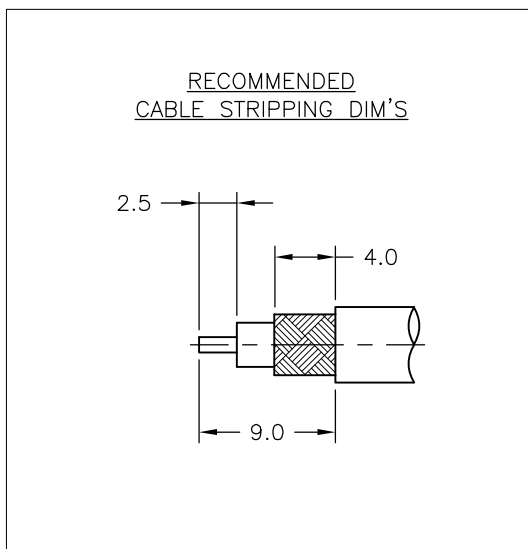
NOTES:

- 1 SINGLE PACKING: ONE CONNECTOR PER LABELED BAG PACKAGED. LABELED PER TEC-107-115
- 2 TRAY PACKAGED
- 3 Ag PLATING
- 4 PASSIVATION
- 5 THIS ITEM MUST BE WHITE
- 6 ELECTRICAL CHARACTERISTICS  
 FREQUENCY RANGE: DC - 4 GHz  
 NOMINAL IMPEDANCE: 50 Ohm  
 INSULATION RESISTANCE: 5000 MOhm  
 WORKING VOLTAGE: 500 Volts RMS at Sea Level  
 DIELECTRIC WITHSTAND VOLTAGE: 1500 Volts RMS Max  
 CONTACT RESISTANCE:  
   CENTER CONTACT: 1.50 mOhm Max  
   OUTER CONTACT: 1.00 mOhm Max  
 VSWR @ 4GHz: 1.30:1 Max  
 INSERTION LOSS dB @ 3 GHz: 0.20 Max
- 7 MECHANICAL CHARACTERISTICS  
 COUPLING NUT RETENTION FORCE: 266 N Min  
 CABLE RETENTION FORCE: 128 N Min  
 CLAMP NUT RECOMMENDED TORQUE: 4 Nm  
 DURABILITY: 500 Cycles Min
- 8 ENVIRONMENTAL CHARACTERISTICS  
 OPERATING TEMPERATURE: -65 to +165 DegC



QTY	QTY PER ASSY	MATERIAL	DESCRIPTION	ITEM
1	1	BRASS	CONTACT	12
1	1	BRASS	CLAMP NUT	11
1	1	BRASS	WASHER	10
1	1	SILICON RUBBER	GASKET	9
1	1	BRASS	SLEEVE	8
1	1	BRASS	BODY	7
1	1	BRASS	WASHER	6
1	1	STAINLESS STEEL	SPRING	5
1	1	PHOSPHOR BRONZE	WASHER	4
1	1	SILICON RUBBER	GASKET	3
1	1	BRASS	COLLAR	2
1	1	PTFE	DIELECTRIC	1
6--0	1--0	MATERIAL	DESCRIPTION	ITEM

QUANTITY PER ASSY		PARTS LIST	
<b>STE</b> TE Connectivity			
NAME BNC STRAIGHT PLUG SOLDER 50 OHM RG58C/U, 141A/U, URM43,76, Belden 9907,KX15			
SIZE	CAGE CODE	DRAWING NO	RESTRICTED TO
A3	00779	C-1337421	-
CUSTOMER DRAWING		SCALE	SHEET
		NTS	1 OF 1
		REV	D



THIS DRAWING IS A CONTROLLED DOCUMENT.	
DIMENSIONS: mm	TOLERANCES UNLESS OTHERWISE SPECIFIED:
	0 PLC ± -
	1 PLC ± 0.2
	2 PLC ± 0.1
	3 PLC ± -
	4 PLC ± -
	ANGLES ± -
MATERIAL SEE TABLE	FINISH -

DWN	J.SANDWELL	18NOV05
CHK	S.PARLOW	18NOV05
APVD	F.WHEELER-KING	18NOV05
PRODUCT SPEC	108-112000	
APPLICATION SPEC	411-3252	
WEIGHT	-	
CUSTOMER DRAWING		

单击下面可查看定价，库存，交付和生命周期等信息

[>>TE Connectivity\(泰科\)](#)