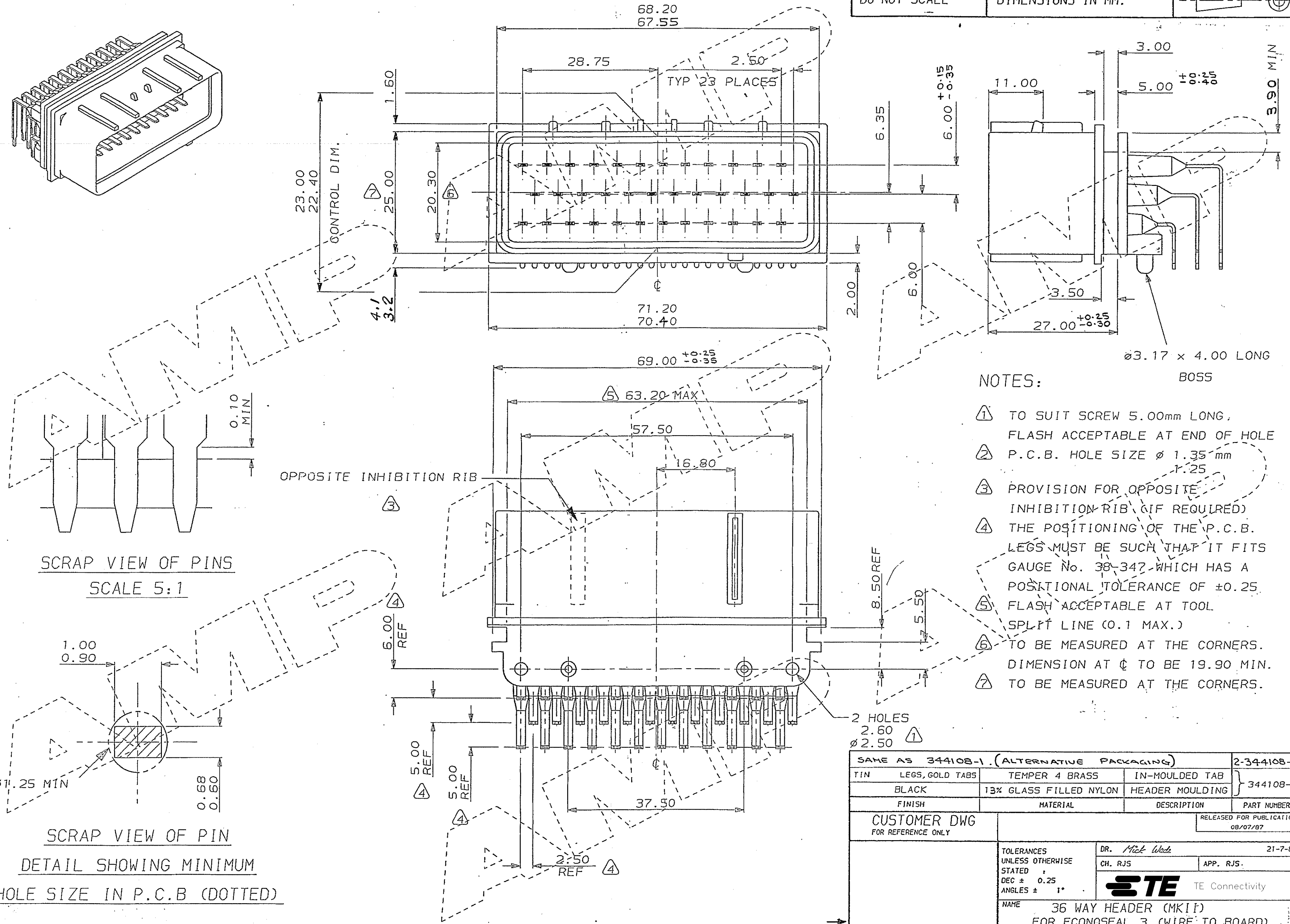
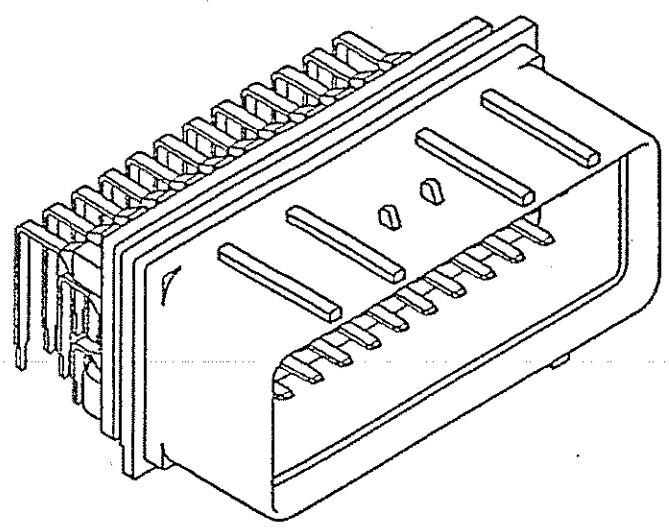


C.A.D. FILE CODE
S. C344108.

DO NOT SCALE DIMENSIONS IN MM.



SCRAP VIEW OF PINS
SCALE 5:1

SCRAP VIEW OF PIN
DETAIL SHOWING MINIMUM
HOLE SIZE IN P.C.B (DOTTED)

- NOTES:
- ① TO SUIT SCREW 5.00mm LONG, FLASH ACCEPTABLE AT END OF HOLE
 - ② P.C.B. HOLE SIZE ϕ 1.35 mm
 - ③ PROVISION FOR OPPOSITE INHIBITION RIB (IF REQUIRED)
 - ④ THE POSITIONING OF THE P.C.B. LEGS MUST BE SUCH THAT IT FITS GAUGE No. 38-347 WHICH HAS A POSITIONAL TOLERANCE OF ± 0.25
 - ⑤ FLASH ACCEPTABLE AT TOOL SPLIT LINE (0.1 MAX.)
 - ⑥ TO BE MEASURED AT THE CORNERS. DIMENSION AT ϕ TO BE 19.90 MIN.
 - ⑦ TO BE MEASURED AT THE CORNERS.

SAME AS 344108-1. (ALTERNATIVE PACKAGING)				2-344108-1
TIN	LEGS, GOLD TABS	TEMPER 4 BRASS	IN-MOULDED TAB	344108-1
	BLACK	13% GLASS FILLED NYLON	HEADER MOULDING	
FINISH		MATERIAL	DESCRIPTION	PART NUMBER
CUSTOMER DWG FOR REFERENCE ONLY			RELEASED FOR PUBLICATION 08/07/87	
TOLERANCES UNLESS OTHERWISE STATED :		DR. Mick Wade 21-7-88		
DEC \pm 0.25		CH. RJS APP. RJS.		
ANGLES \pm 1°		TE Connectivity		
NAME 36 WAY HEADER (MKII) FOR ECONOSEAL 3 (WIRE TO BOARD)				
H1	RKHMR	REVISED PER ECO-11-005150	28MAR11	SCALE
REV	APPROVED	ECN	DATE	LOC
				SIZE
				DWG.No.
				REV
				SHEET

WAS CP86-076-04

*.x - 0.TIF - 9/15/03 8:14:42 AM

单击下面可查看定价，库存，交付和生命周期等信息

[>>TE Connectivity\(泰科\)](#)