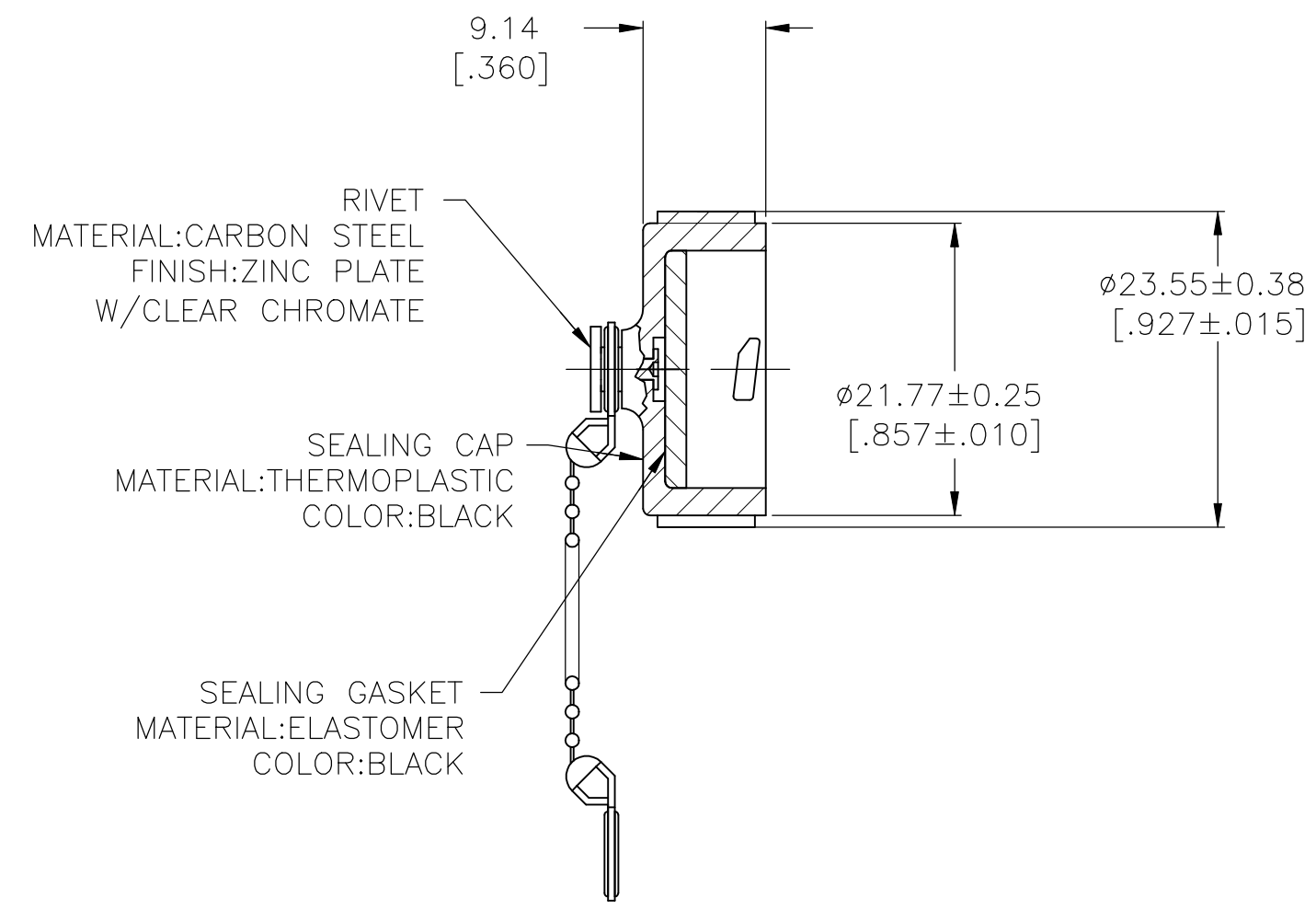
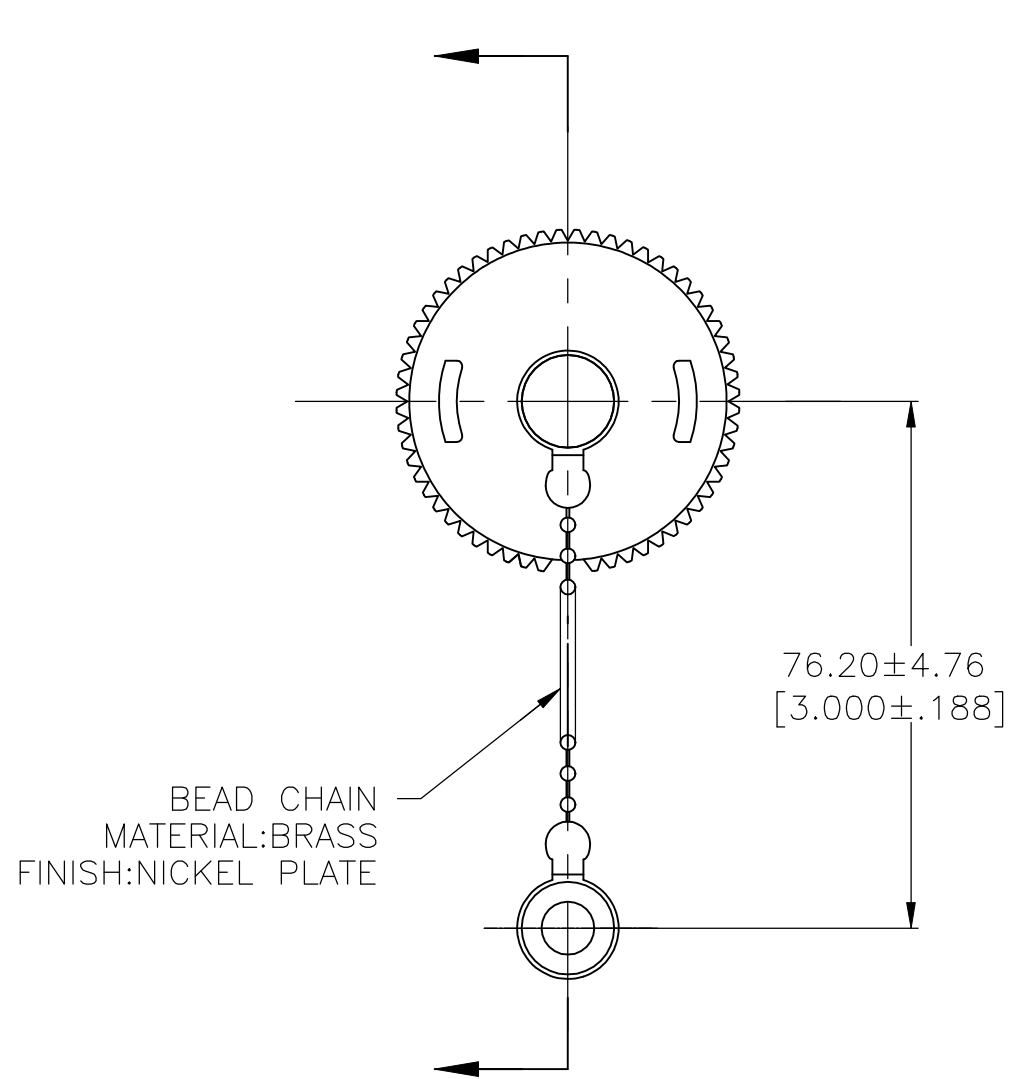



P	LTR	DESCRIPTION	DATE	DWN	APVD
	A	REDRAWN & REV PER EC 0020-680-93	6-9-93	-	AF
	B	REVISED PER ECO-19-001991	08FEB2019	RS	MZ



208800-1  
PART NUMBER

THIS DRAWING IS A CONTROLLED DOCUMENT.		DWN D.BROCKWAY 6-9-93	 TE Connectivity			
DIMENSIONS: mm [INCHES]		CHK R.STONE 7-1-93				
TOLERANCES UNLESS OTHERWISE SPECIFIED:		APVD AL FRANTUM 7-1-93	NAME SEALING CAP ASSY, SIZE 11, WITH BEAD CHAIN, CPC			
0 PLC ± - 1 PLC ± - 2 PLC ± 0.13 [.005] 3 PLC ± - 4 PLC ± - ANGLES ± -		PRODUCT SPEC -	APPLICATION SPEC -			
MATERIAL SEE CALLOUTS	FINISH SEE CALLOUTS	WEIGHT -	SIZE A3	CAGE CODE 00779	DRAWING NO C-208800	RESTRICTED TO -
CUSTOMER DRAWING			SCALE 2:1	SHEET 1 OF 1	REV B	

单击下面可查看定价，库存，交付和生命周期等信息

[>>TE Connectivity\(泰科\)](#)