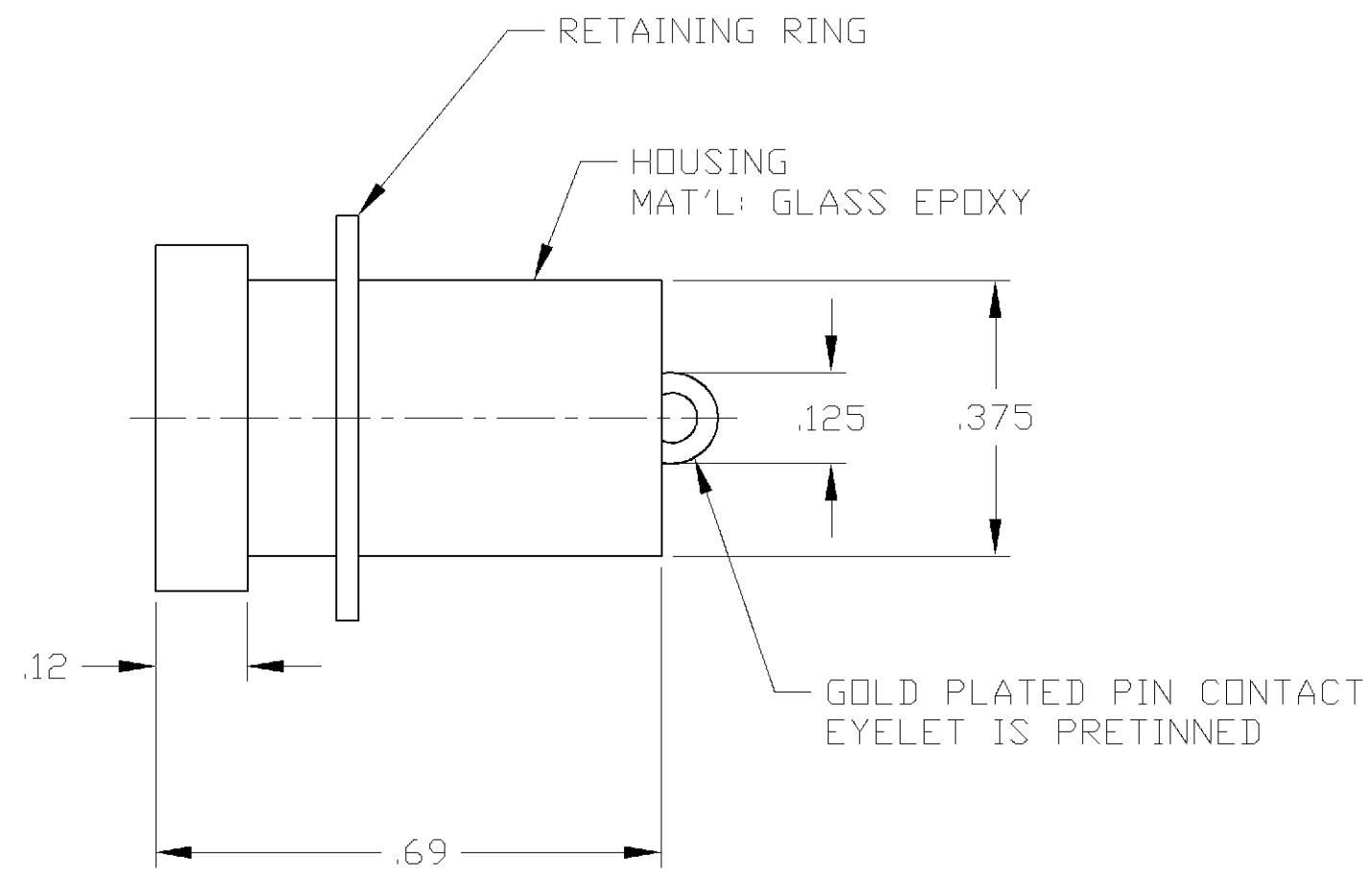
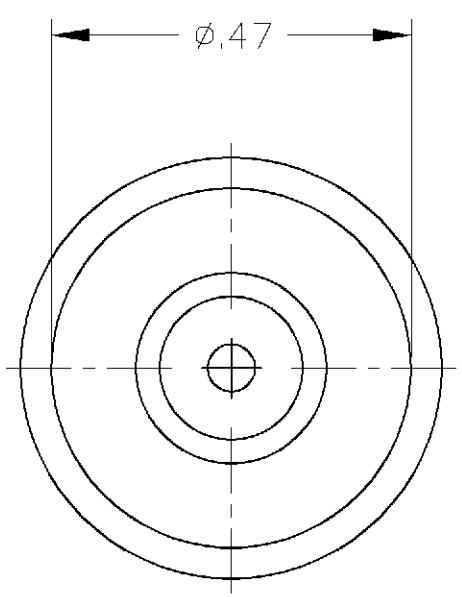


THIS DRAWING IS UNPUBLISHED. RELEASED FOR PUBLICATION
 © COPYRIGHT BY TYCO ELECTRONICS CORPORATION. ALL RIGHTS RESERVED.

LOC	DIST	REVISIONS			
P	LTR	DESCRIPTION	DATE	DWN	APVD
DF	SO	C	REV PER 0G3D-0255-01	3-02	CT DE



1. IF BULKHEAD AND MOUNTING HARDWARE ARE METALLIC AND AT GROUND POTENTIAL PROVISIONS MUST BE MADE TO PROTECT THE RECEPTACLE BACK END AGAINST ARC OVER AND BREAKDOWN.

859111-1
PART NO.

THIS DRAWING IS A CONTROLLED DOCUMENT.		DWN C.C.THOMAS 26MAR2002	Tyco Electronics Corporation Harrisburg, Pa 17105-3608		
DIMENSIONS: INCHES	TOLERANCES UNLESS OTHERWISE SPECIFIED:	CHK D.EABY 3-27-02	NAME		
	0 PLC ± -	APVD D.EABY 3-27-02	PIN AND BUSHING ASSEMBLY, LGH		
	1 PLC ± -	PRODUCT SPEC	-		
MATERIAL	FINISH	3 PLC ± .02	SIZE	CAGE CODE	DRAWING NO
		4 PLC ± -	A3	00779	C-859111
		ANGLES ± -	RESTRICTED TO	-	
		± -	CUSTOMER DRAWING	SCALE 4:1	SHEET 1 OF 1
				REV C	

单击下面可查看定价，库存，交付和生命周期等信息

[>>TE Connectivity\(泰科\)](#)