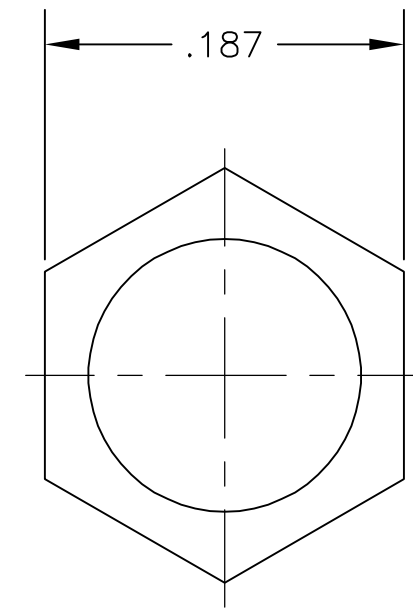
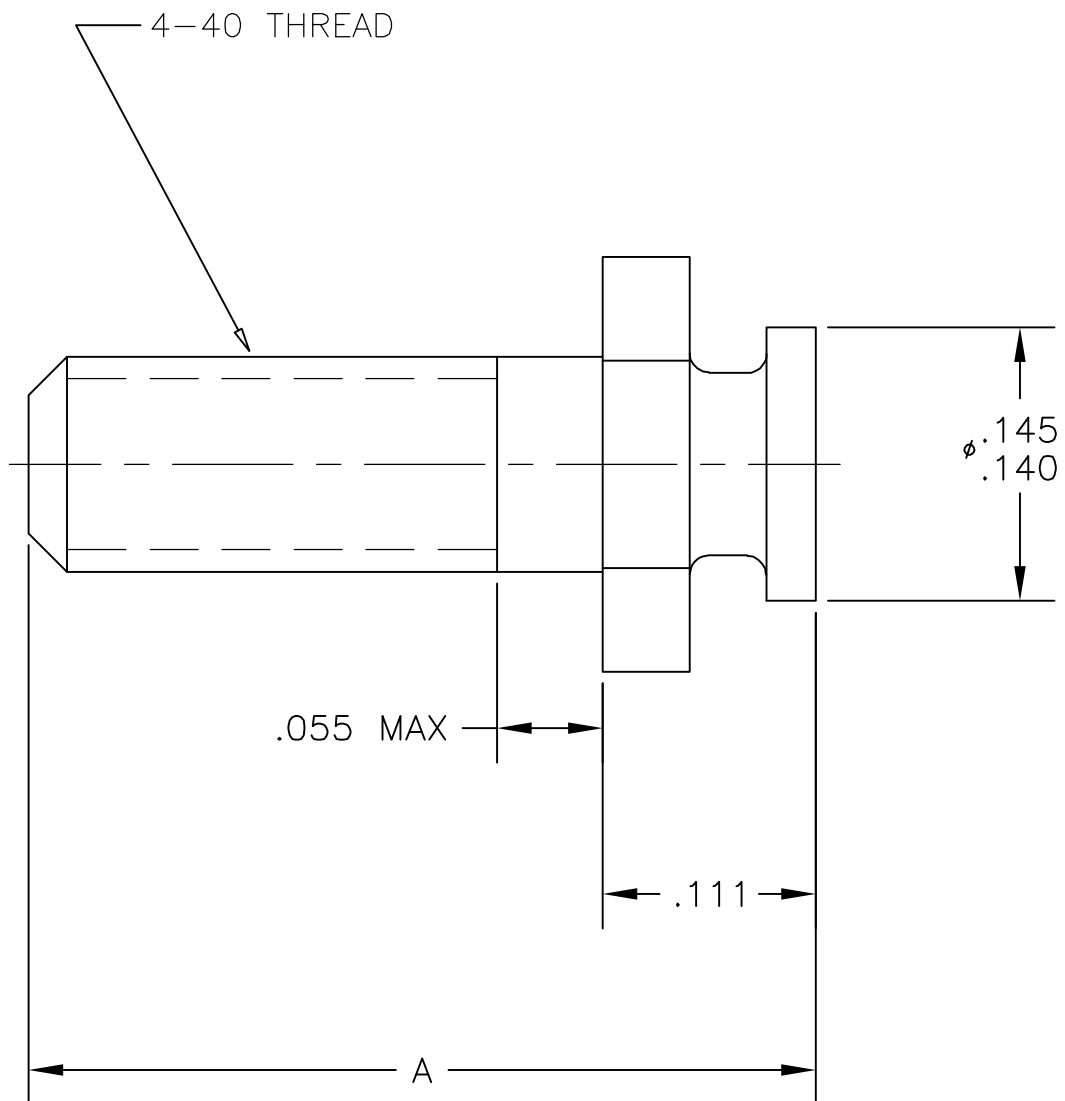


THIS DRAWING IS UNPUBLISHED. RELEASED FOR PUBLICATION  
 © COPYRIGHT BY TYCO ELECTRONICS CORPORATION. ALL RIGHTS RESERVED.

LOC	DIST	REVISIONS			
P	LTR	DESCRIPTION	DATE	DWN	APVD
GP	00	0	RELEASED PER EC OS13-0207-05	22JUN05	RR JG



.560	1	5206807-5
.410	2	5206807-3
.410	1	5206807-2
A	FINISH	PART NUMBER

- 1 ZINC PLATED .000200-.000400 THICK, YELLOW CHROMATE COATING.
- 2 ZINC PLATED .000200-.000400 THICK, CLEAR CHROMATE COATING.

THIS DRAWING IS A CONTROLLED DOCUMENT.		DWN R.RICHARDSON 22JUN05	Tyco Electronics Corporation Harrisburg, Pa 17105-3608	
DIMENSIONS: INCHES		CHK C.ROHDE 22JUN05		
TOLERANCES UNLESS OTHERWISE SPECIFIED:		APVD M.WALMSLEY 22JUN05	NAME LOCKING POST, AMPLIMITE	
0 PLC ± - 1 PLC ± - 2 PLC ± - 3 PLC ± .005 4 PLC ± - ANGLES ± -		PRODUCT SPEC -	RESTRICTED TO -	
MATERIAL COLD ROLLED STEEL		FINISH SEE TABLE	APPLICATION SPEC -	SIZE A3
		WEIGHT -	CAGE CODE 00779	DRAWING NO C-5206807
CUSTOMER DRAWING			SCALE 4:1	SHEET 1 OF 1
			REV 0	

单击下面可查看定价，库存，交付和生命周期等信息

[>>TE Connectivity\(泰科\)](#)