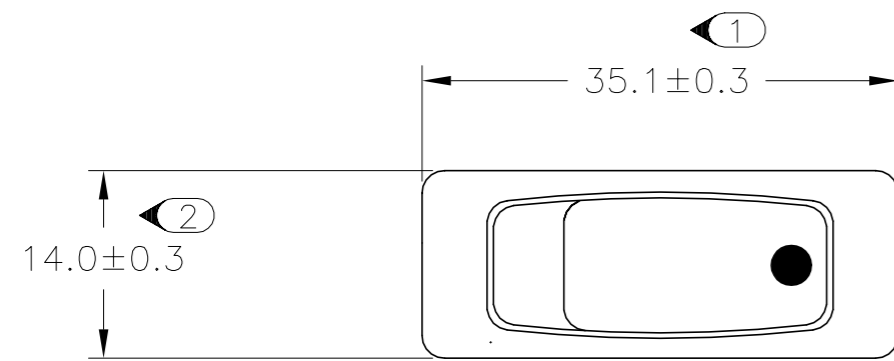
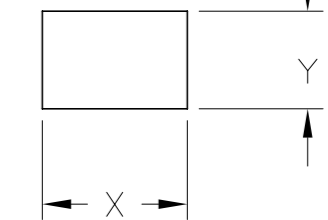


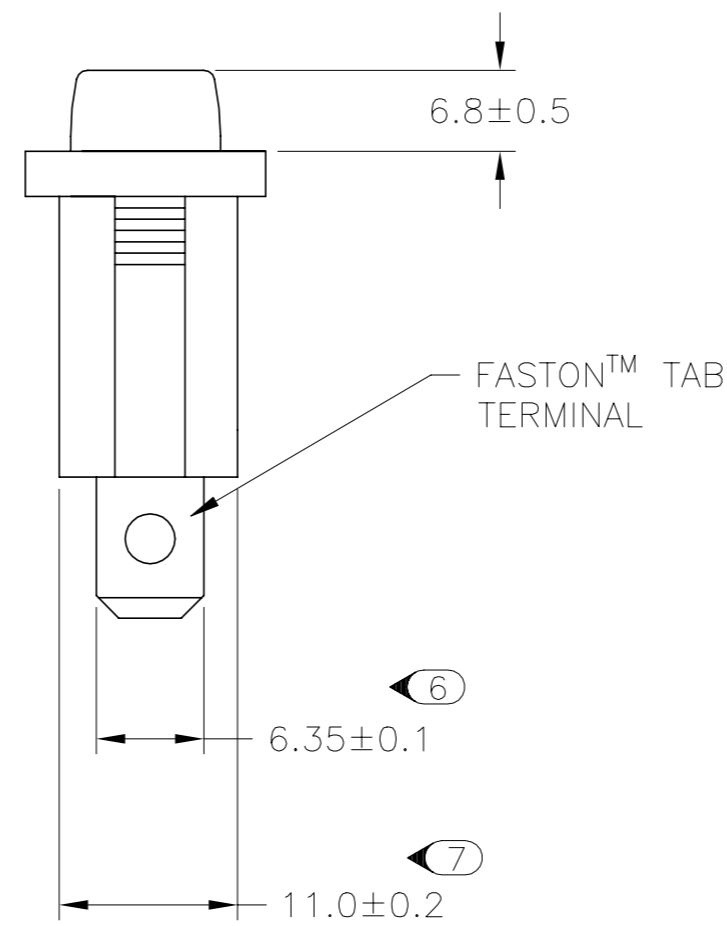
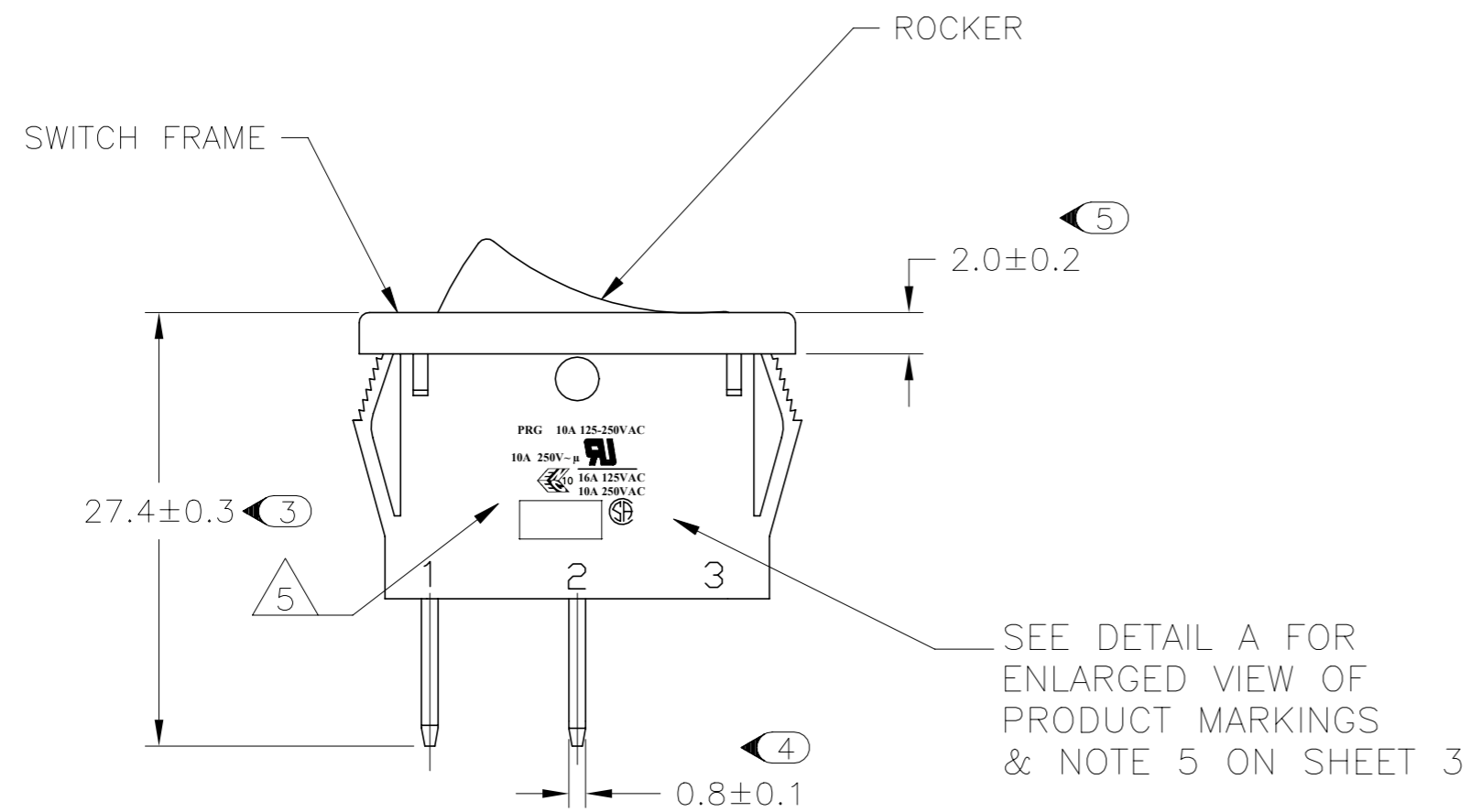
REVISIONS					
P	LTR	DESCRIPTION	DATE	DWN	APVD
F		REVISED PER ECO-20-013571	17FEB2021	SR	JB



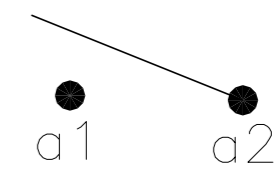
PANEL CUT OUT



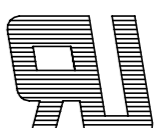

2.00-3.00	30.20	11.20
1.25-2.00	30.20	11.20
0.75-1.25	30.20	11.20
PANEL THICKNESS	X	Y



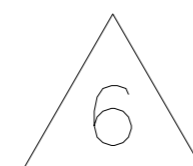
CIRCUIT DIAGRAM




**PRODUCT MARKING  
DETAIL A**

**PRG 10A 125-250VAC**  
**10A 250V~μ**   
 **16A 125VAC**  
**10A 250VAC**

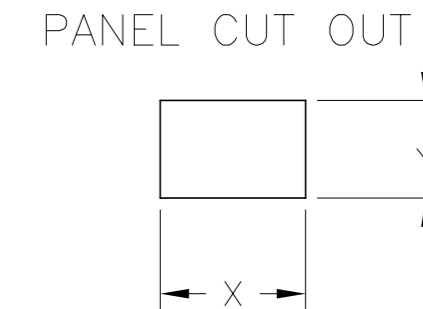
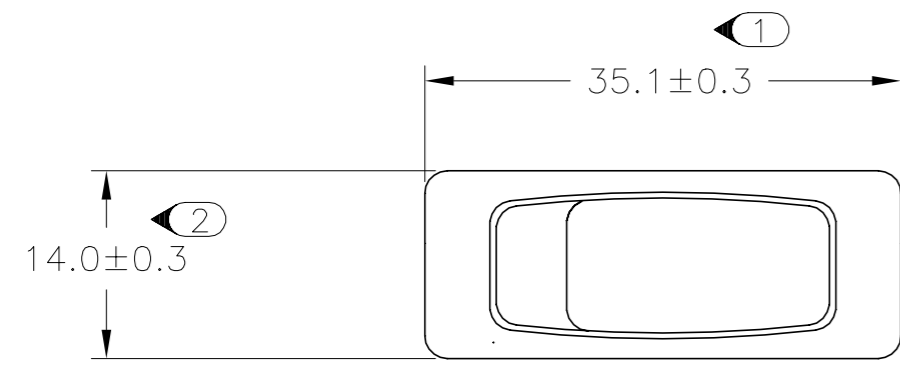
TYCO ELECTRONICS LOGO PER TEC-202-36 



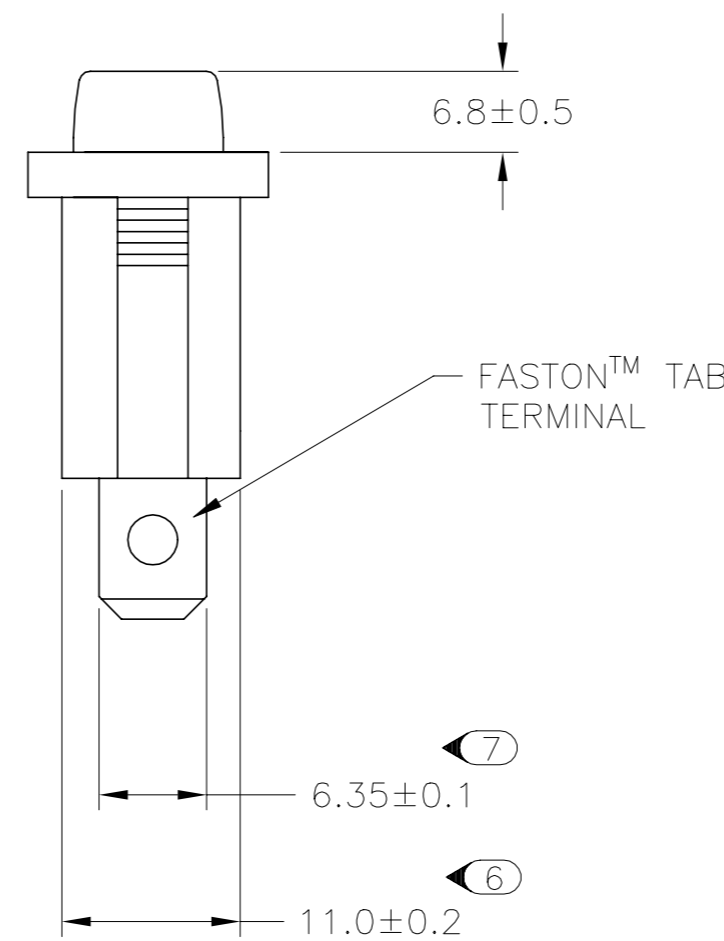
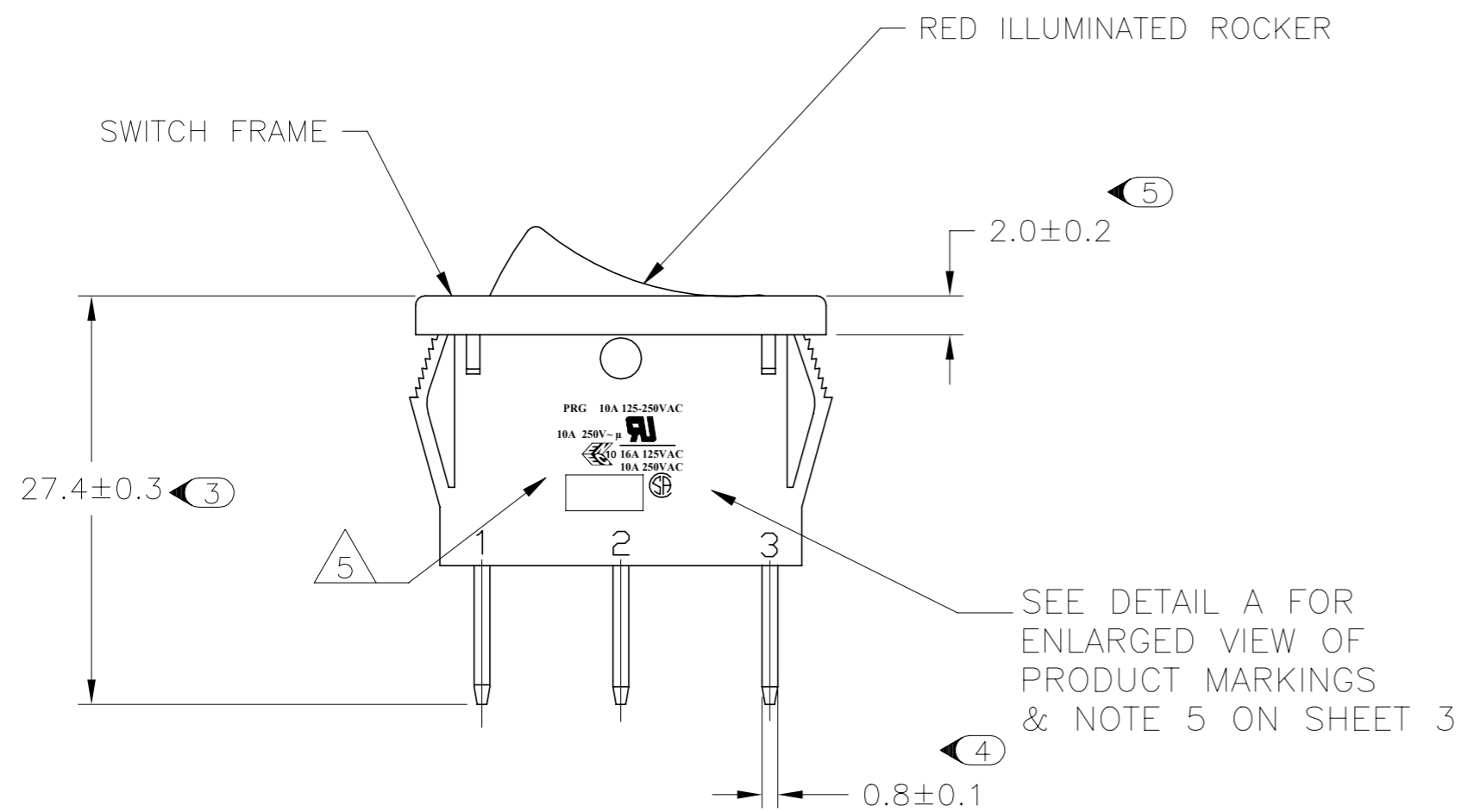
1634202-2 SHOWN ON-OFF

THIS DRAWING IS A CONTROLLED DOCUMENT.		DWN S.SHACKSON 04FEB2003	 TE Connectivity Ltd.	
DIMENSIONS: MM		CHK H.KAUTZ 04FEB2003		
TOLERANCES UNLESS OTHERWISE SPECIFIED:		APVD H.KAUTZ 04FEB2003	NAME POWER ROCKER SWITCH, 30.2mm X 11.2mm	
0 PLC ± -	1 PLC ± 0.5	PRODUCT SPEC NOT APPLICABLE	PANEL CUT-OUT SIZE, SINGLE POLE, SINGLE THROW, NON-ILLUMINATED	
2 PLC ±	3 PLC ±	APPLICATION SPEC NOT APPLICABLE	SIZE A2	CAGE CODE 00779
4 PLC ±	ANGLES ± -	MATERIAL	DRAWING NO C=1634202	RESTRICTED TO -
FINISH		WEIGHT -	SCALE 3:1	SHEET 1 of 3
		CUSTOMER DRAWING	REV F	

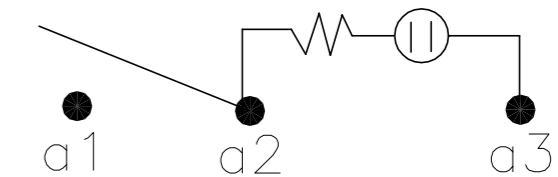
REVISIONS					
P	LTR	DESCRIPTION	DATE	DWN	APVD
-	-	SEE SHEET 1	-	-	-



2.00-3.00	30.20	11.20
1.25-2.00	30.20	11.20
0.75-1.25	30.20	11.20
PANEL THICKNESS	X	Y



CIRCUIT DIAGRAM



PRODUCT MARKING  
DETAIL A

**PRG 10A 125-250VAC**

**10A 250V~μ**

**10 16A 125VAC**  
**10A 250VAC**

TYCO ELECTRONICS LOGO PER TEC-202-36



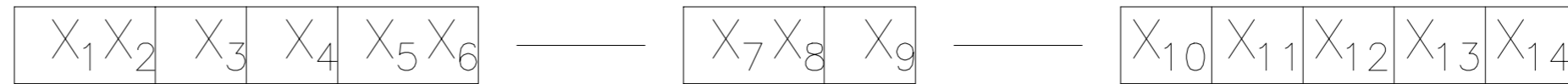
1634202-5 SHOWN ON-OFF  
(ILLUMINATED)

THIS DRAWING IS A CONTROLLED DOCUMENT.		DWN S.SHACKSON 04FEB2003	TE Connectivity Ltd.	
DIMENSIONS: MM		CHK H.KAUTZ 04FEB2003	NAME POWER ROCKER SWITCH, 30.2mm X 11.2mm PANEL CUT-OUT SIZE, SINGLE POLE, SINGLE THROW, NON-ILLUMINATED	
TOLERANCES UNLESS OTHERWISE SPECIFIED: 0 PLC ± - 1 PLC ± 0.5 2 PLC ± - 3 PLC ± - 4 PLC ± - ANGLES ± -		APVD H.KAUTZ 04FEB2003	DRAWING NO A2 00779 C=1634202	
MATERIAL 1		PRODUCT SPEC NOT APPLICABLE	SIZE A2	RESTRICTED TO -
FINISH 2		APPLICATION SPEC NOT APPLICABLE	CAGE CODE 00779	SCALE 3:1
		WEIGHT -	SHEET 2 of 3	REV F
		CUSTOMER DRAWING		

REVISIONS

P	LTR	DESCRIPTION	DATE	DWN	APVD
-	-	SEE SHEET 1	-	-	-

ALCOSWITCH PART NUMBER



1 MATERIALS:  
 HOUSING FRAME: NYLON 66.  
 ACTUATOR: NYLON 66/ PC(ILLUMINATED)  
 TERMINALS C1100R-1/2H WITH SILVER PLATED CONTACTS  
 AgALLOY

2 FINISH:  
 TERMINAL, ACTIVE CONTACTOR: 1.0µm [.000039] SILVER  
 PLUNGER: 3.0mm[.000118] NICKEL

3 ELECTRICAL SPECIFICATIONS:  
 CONTACT RESISTANCE : 50m ohm Max  
 DIELECTRIC STRENGTH : AC 1500V, 1 MINUTE  
 OPERATION TEMPERATURE: -20°C~85°C  
 INSULATION R: DC 500V 100M ohm MIN

4 CURRENT AND VOLTAGE 10A@125VAC/10A@250VAC

5 ELECTRICAL RATINGS, APPROVED AGENCY LOGOS, TE LOGO PER  
 TEC-202-36 APPROXIMATELY AS SHOWN.  
 (FOR FULL DETAIL SEE INDIVIDUAL DRAWING)

6 ON-OFF, WITH OPAQUE, SINGLE-COLOR ROCKER BUTTON.

7 ON-OFF, WITH TRANSPARENT, LAMP-ILLUMINATED ROCKER  
 BUTTON.

8 REFER TO QIP DIMENSIONAL REPORT

9 NOTE REMOVED.

SWITCH TYPE: X1X2 = PR - POWER ROCKER

NOMINAL PANEL CUT OUT SIZE: X3 = G - 30.2X11.2 [.1.189x.441]

NUMBER OF POLES: X4 = S - SINGLE

SWITCH FUNCTION: X5X6 = A1 - / B1 -

CURRENT RATING: X7X8 = 16 -

TERMINAL TYPE: X9 = F - FASTON™ TAB

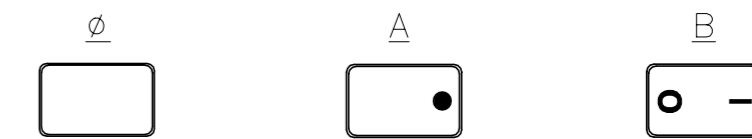
FRAME COLOR: X10 = B - BLACK / W - WHITE

ROCKER COLOR: X11 = B - BLACK / G - GREEN / R - RED / Y - YELLOW

SECONDARY ROCKER COLOR: X12 =  $\emptyset$  - NOT APPLICABLE

B - BLACK  
 G - GREEN  
 R - RED  
 W - WHITE

LEGEND TEXT PATTERN: X13 =



LEGEND TEXT COLOR: X14 =  $\emptyset$  - NOT APPLICABLE

G - GREEN  
 R - RED  
 B - BLACK  
 W - WHITE

2	PRGSB1-16F-BG000	1634202-6
2	PRGSB1-16F-BR000	1634202-5
1	PRGSA 1-16F-BR000	1634202-4
1	PRGSA 1-16F-BB0BW	1634202-3
1	PRGSA 1-16F-BB0AW	1634202-2
1	PRGSA 1-16F-BB000	1634202-1
SHEET REF	ALCO SWITCH PART NUMBER	TE PART NUMBER

THIS DRAWING IS A CONTROLLED DOCUMENT.		DWN S.SHACKSON 04FEB2003	TE Connectivity Ltd.	
DIMENSIONS: MM		CHK H.KAUTZ 04FEB2003		
TOLERANCES UNLESS OTHERWISE SPECIFIED:		APVD H.KAUTZ 04FEB2003	NAME POWER ROCKER SWITCH, 30.2mm X 22.2mm	
0 PLC ± -		PRODUCT SPEC	NOT APPLICABLE	
1 PLC ± 0.30[.012]		APPLICATION SPEC	NOT APPLICABLE	
2 PLC ± 0.05[.002]		SIZE A2	CAGE CODE 00779	DRAWING NO C=1634202
3 PLC ± -		WEIGHT -	SCALE 3:1	SHEET 3 of 3
4 PLC ± -		CUSTOMER DRAWING	REV F	
ANGLES ± -				
FINISH				

单击下面可查看定价，库存，交付和生命周期等信息

[>>TE Connectivity\(泰科\)](#)