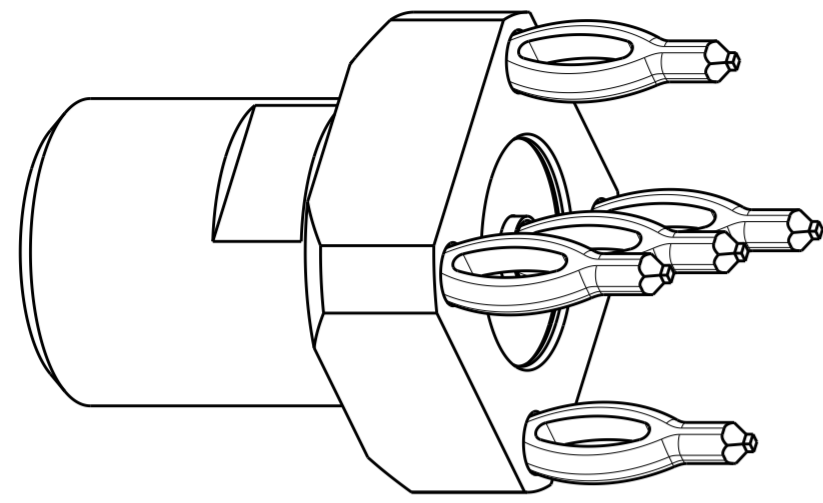


THIS DRAWING IS UNPUBLISHED. RELEASED FOR PUBLICATION 20
 © COPYRIGHT 20 BY - ALL RIGHTS RESERVED.

REVISIONS				
P	LTR	DESCRIPTION	DATE	APVD
G		RELEASED PER ECO 16-013320	9-27-16	CT DW

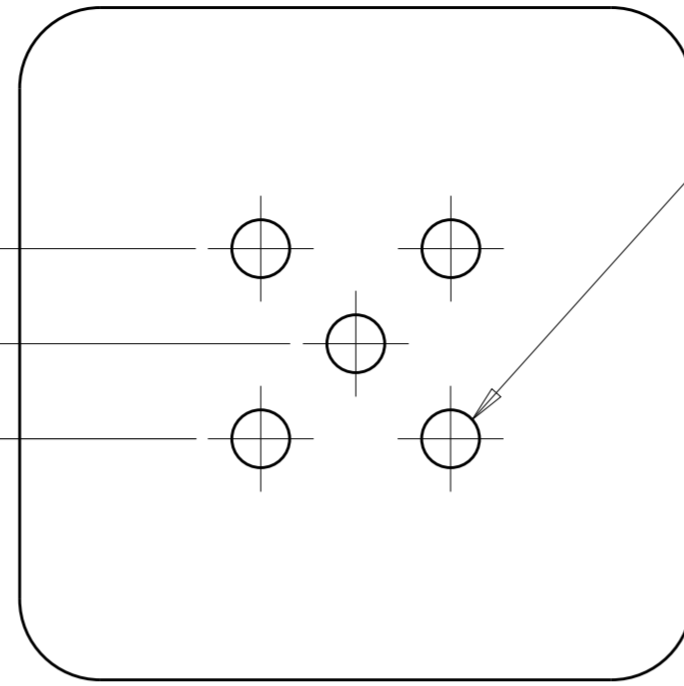


SCALE 10:1

2X .1414 [3.592]

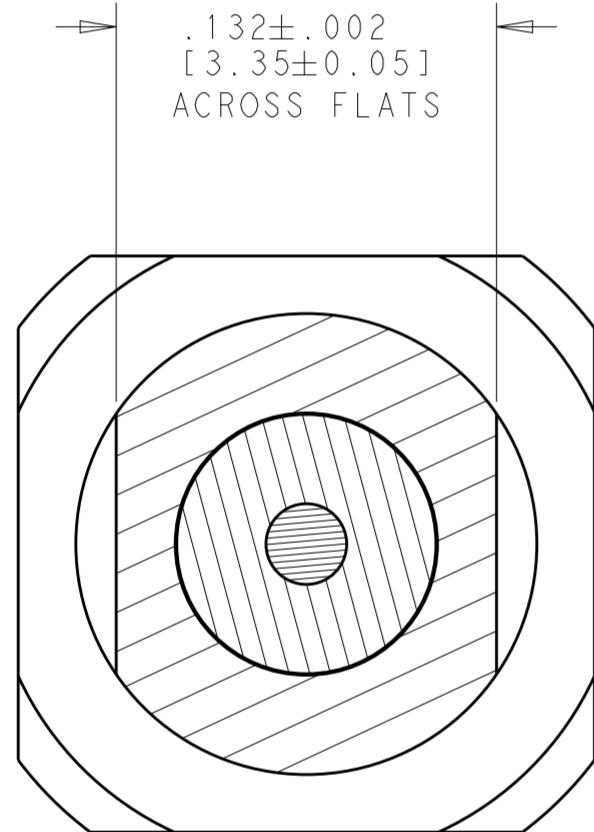
2X .0707 [1.796]

SCALE 7:1

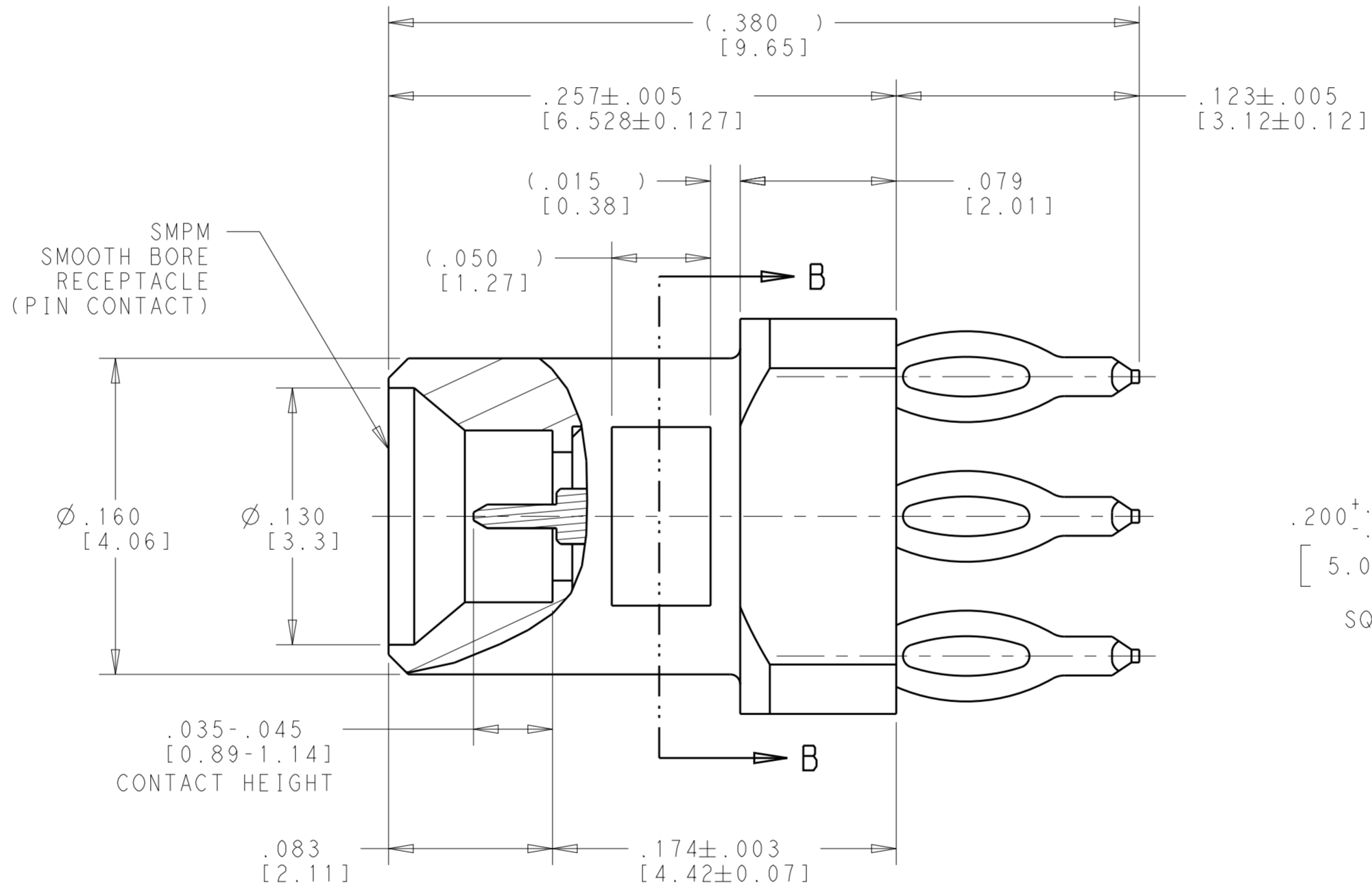


5X PLATED THRU HOLE
 \varnothing .004 [0.1]
 (SEE TABLE)

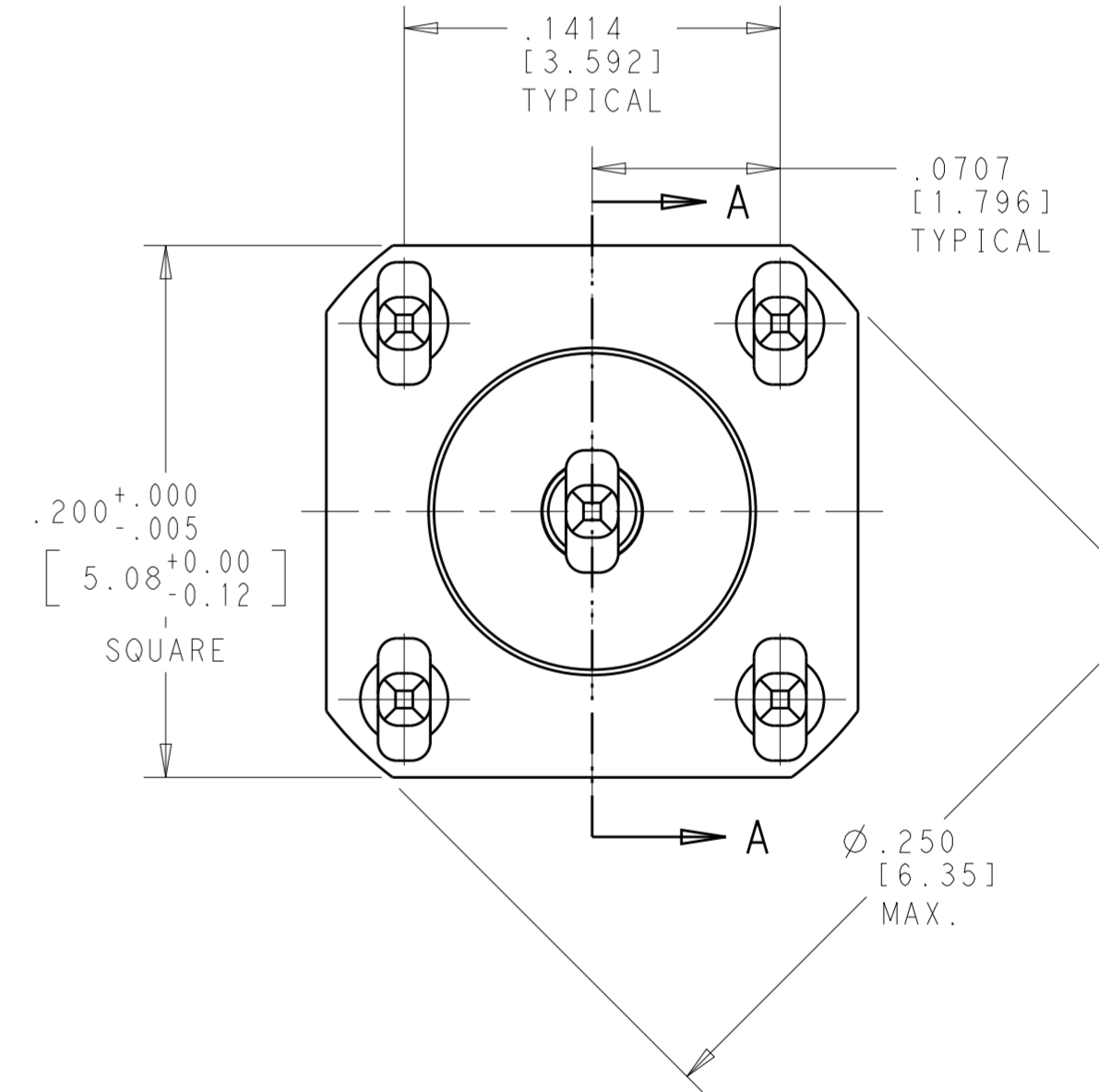
PLATED THROUGH HOLE TABLE		
DRILLED HOLE DIAMETER	FINISHED HOLE DIAMETER	DIAMETER AFTER REFLOW
.044-.046 (1.15±0.025mm)	.037-.043 (0.94-1.09mm)	.036-.043 (0.91-1.09mm)
COPPER PLATING	.001-.003 (25-75um)	



SECTION B-B



SECTION A-A



COMPONENT	MATERIAL	FINISH
SMPM BODY & CENTER CONTACT	BERYLLIUM COPPER ALLOY UNS C17300 PER ASTM B196, CONDITION TD04	GOLD PLATE PER ASTM B488 OVER NICKEL PLATE, PER SAE-AMS-QQ-N-290
COMPLIANT PINS	PHOSPHOR BRONZE, PER ASTM B103 CONDITION H06	TIN LEAD PLATE, PER ASTM B571, OVER NICKEL PLATE PER SAE-AMS-QQ-N-290
INSULATOR	PTFE FLUOROCARBON PER ASTM D 1710	-----

1996318-1
 PART NUMBER

THIS DRAWING IS A CONTROLLED DOCUMENT.

DIMENSIONS: INCHES [mm]	TOLERANCES UNLESS OTHERWISE SPECIFIED:	DWN 26SEP2007	TE Connectivity
	0 PLC ±.1	CHK 31AUG2010	
	1 PLC ±.01	APVD 27SEPT2011	
	2 PLC ±.001	NAME	
MATERIAL SEE TABLE	FINISH SEE TABLE	PRODUCT SPEC APPLICATION SPEC WEIGHT 0.688 g CUSTOMER DRAWING	NAME SMPM STRAIGHT PLUG RECEPTACLE (M) P.C.B. MOUNT, EON TERMINATION SMOOTH BORE SIZE CAGE CODE DRAWING NO RESTRICTED TO A200779 C-1996318 SCALE 15:1 SHEET 1 OF 1 REV G

单击下面可查看定价，库存，交付和生命周期等信息

[>>TE Connectivity\(泰科\)](#)