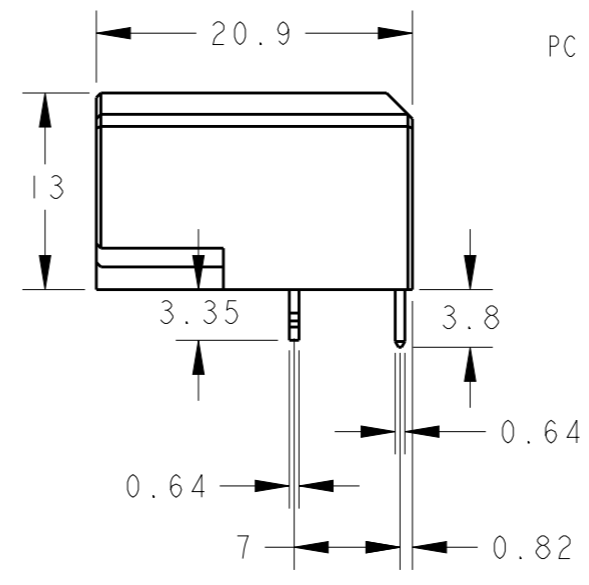
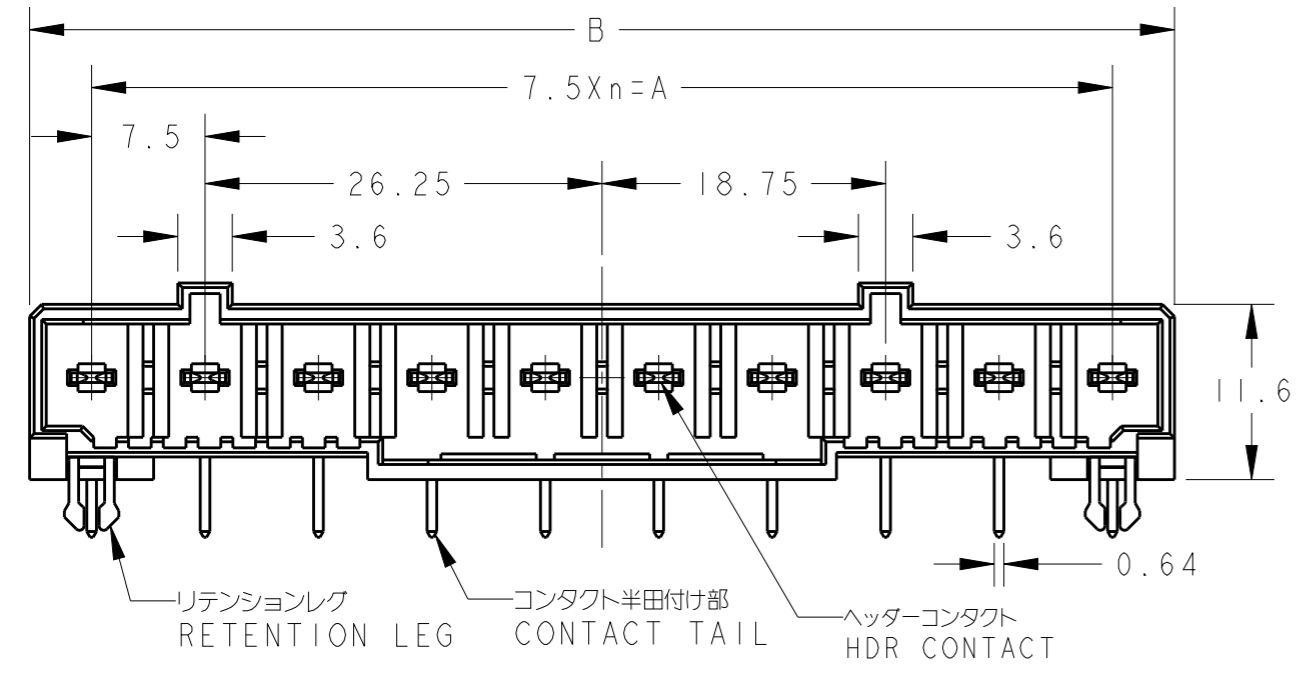
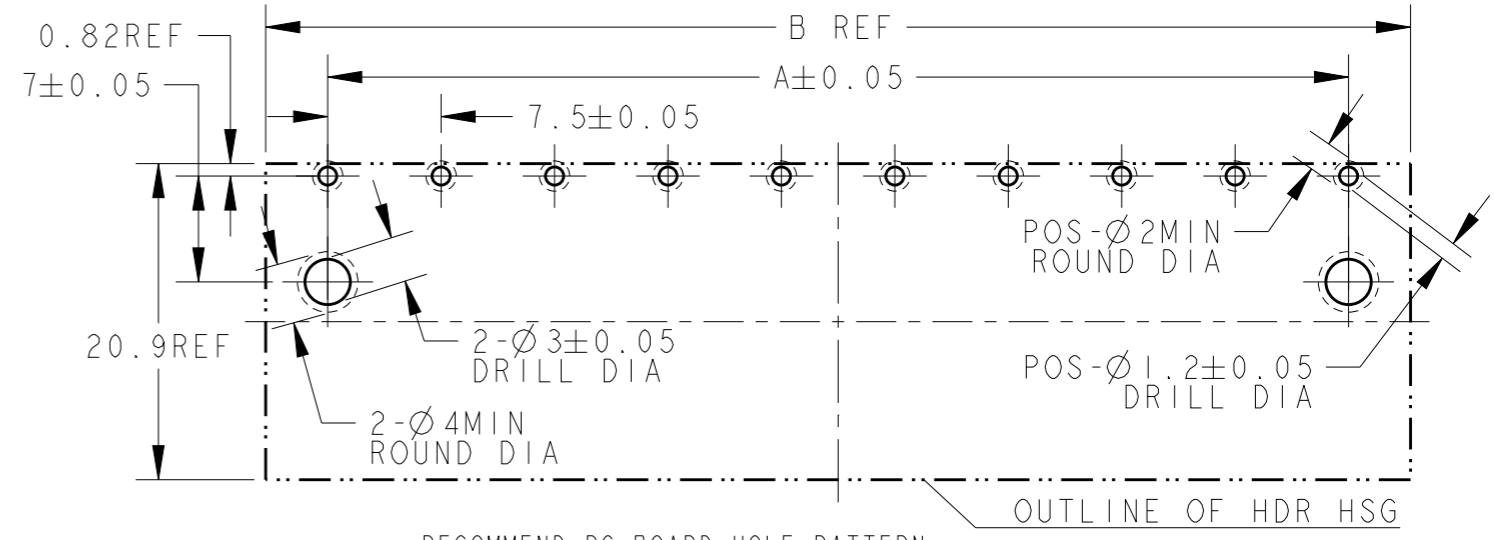
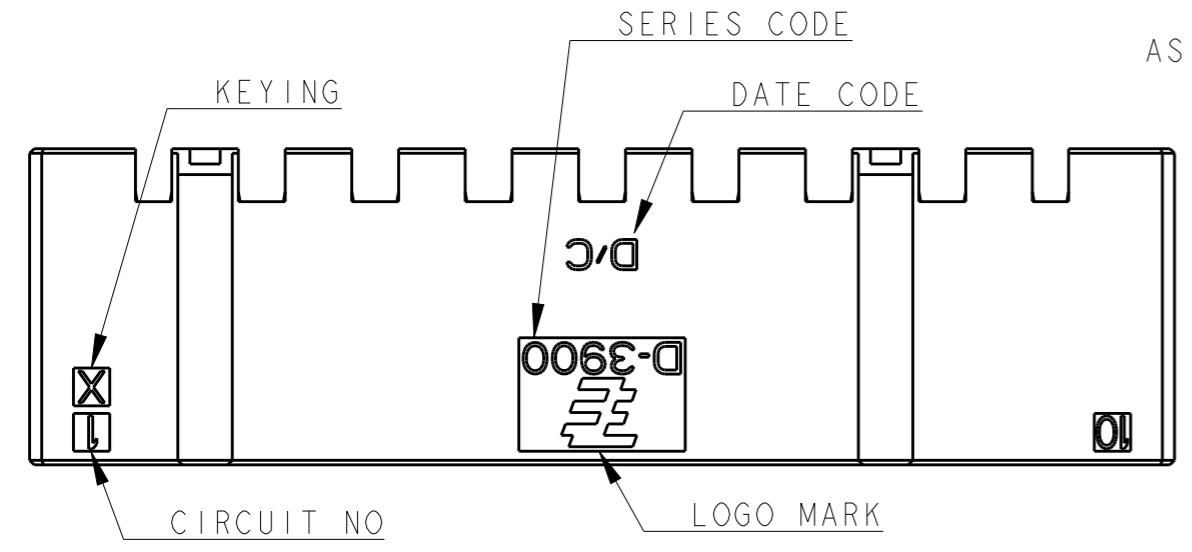


THIS DRAWING IS UNPUBLISHED. RELEASED FOR PUBLICATION 20
 © COPYRIGHT 20 BY Tyco Electronics Japan G.K. ALL RIGHTS RESERVED.

LOC	DIST	REVISIONS					
J	-	P	LTR	DESCRIPTION	DATE	DWN	APVD
			C	REVISED	15APR2014	H.O	N.Y

AS SHOWN : 1-2013519-0 (10POS,X-KEY)



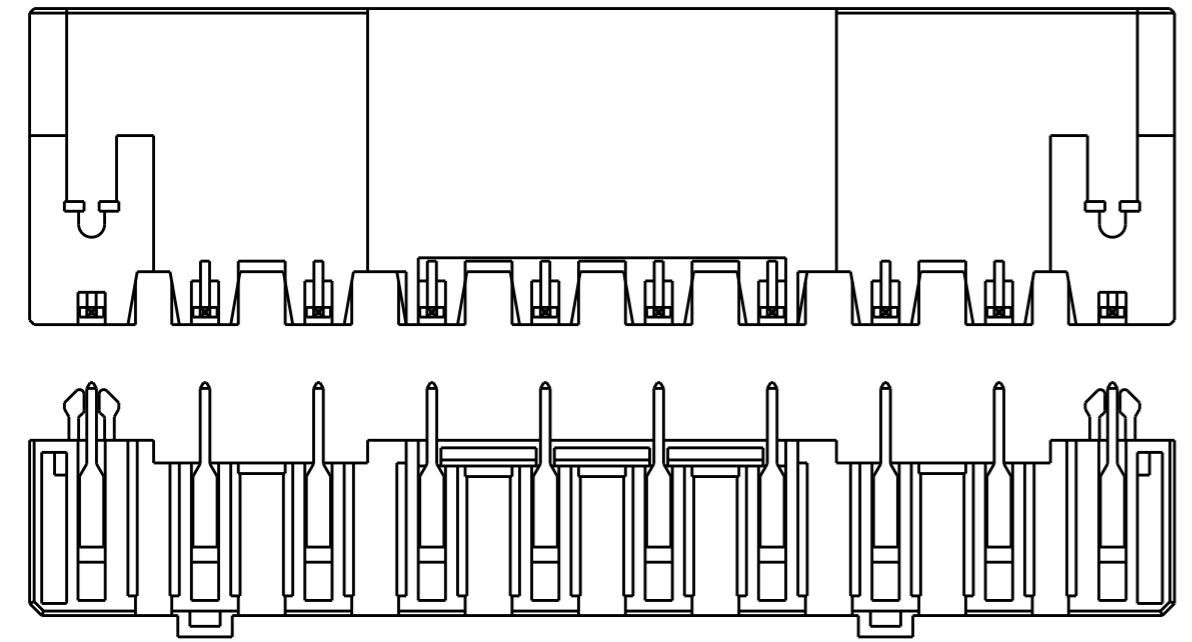
RECOMMEND PC BOARD HOLE PATTERN : CONNECTOR MOUNT SIDE (NOT ACCUMULATE TOLERANCE)
 PC BOARD THICKNESS : 1.6±0.1

推奨基板取付寸法 : コネクタ搭載面 (非累積公差)
 PC基板厚 : 1.6±0.1

- 1. 材料 : ハウジング : 熱可塑性ポリエステル樹脂
 コンタクト : 銅合金
 リテンションレグ : 銅合金
- 2. めっき : (コンタクト接触部) : ニッケル下地めっきの上に金めっき 0.38µm以上
- 3. めっき : リテンションレグとコンタクト半田付け部 : ニッケル下地めっきの上に錫めっき

- 1. MATERIAL HOUSING: THERMO PLASTIC POLYESTER
 CONTACT: COPPER ALLOY
 RETENTION LEG: COPPER ALLOY
- 2. FINISH (CONTACT AREA): 0.38µm MIN GOLD PLATED OVER NICKEL
- 3. FINISH (RETENTION LEG & CONTACT TAIL)
 : TIN PLATED OVER NICKEL

10	Y	9	67.5	75.7	BLACK	2-2013519-0
10	X	9	67.5	75.7	BLACK	1-2013519-0
7/10	Z	9	67.5	75.7	BLACK	9-2013519-0
3	Z	2	15.0	23.2	BLACK	3-2013519-3
3	Y	2	15.0	23.2	NATURAL	4-2013519-3
3	X	2	15.0	23.2	BLACK	1-2013519-3
POS	KEY	n	A	B	COLOR	PART NO



THIS DRAWING IS A CONTROLLED DOCUMENT.

DWN T. KUDO 21APR2008
 CHK S. MANABE 21APR2008
 APVD S. MANABE 21APR2008

PRODUCT SPEC 108-78400, 5349
 APPLICATION SPEC 114-5148

WEIGHT -

CUSTOMER DRAWING

SCALE 2:1 SHEET 1 OF 3 REV C

TE Connectivity

NAME 名称 DYNAMIC D3900S 7.5mm PITCH
 HDR ASSY (H-TYPE)
 3-10POS TYPE-A

SIZE A3 CAGE CODE 00779 DRAWING NO G-2013519 RESTRICTED TO -

THIS DRAWING IS UNPUBLISHED.

RELEASED FOR PUBLICATION

20

© COPYRIGHT 20

BY Tyco Electronics Japan G.K.

ALL RIGHTS RESERVED.

LOC
J

DIST
-

REVISIONS

P LTR

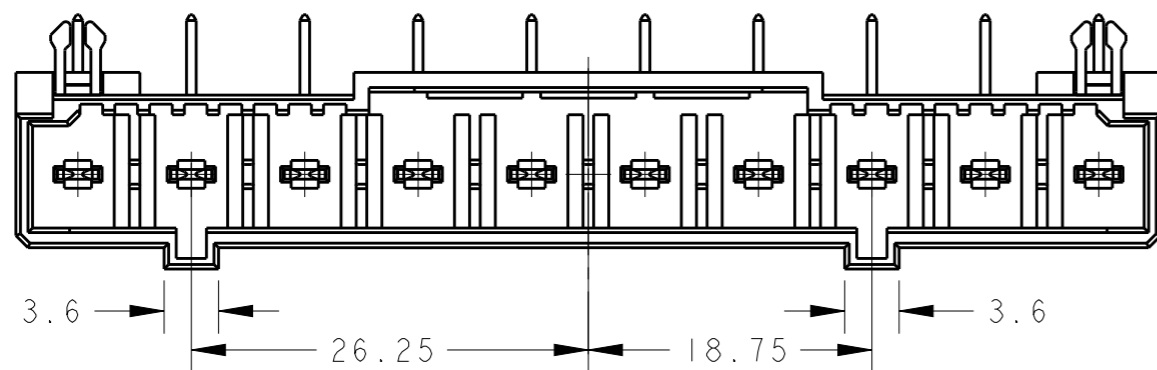
DESCRIPTION

DATE

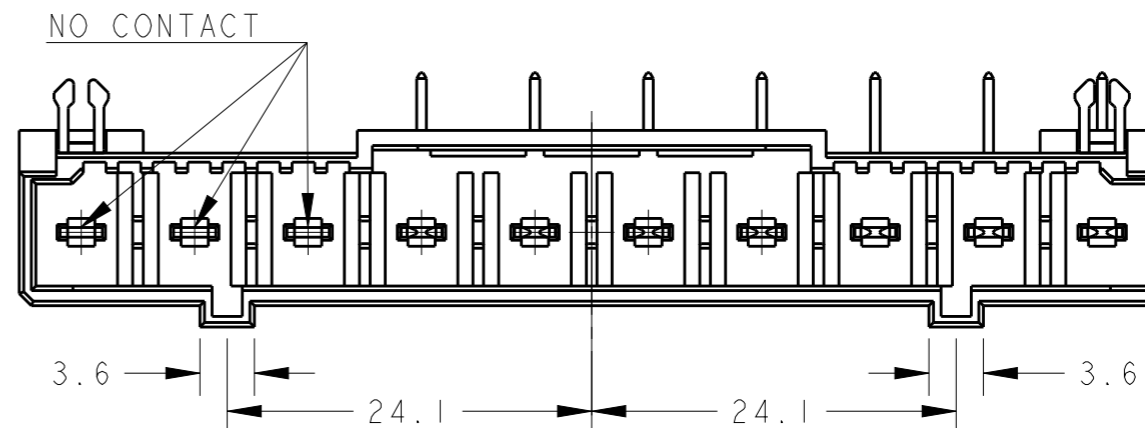
DWN

APVD

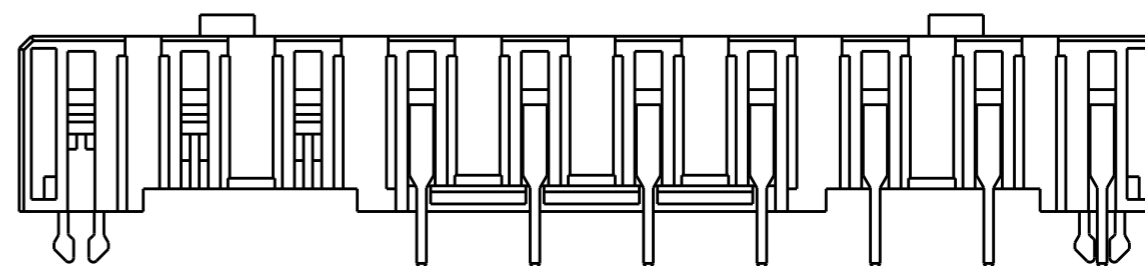
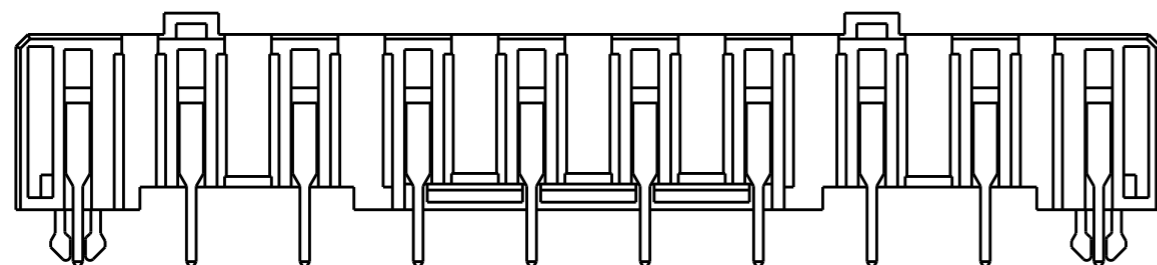
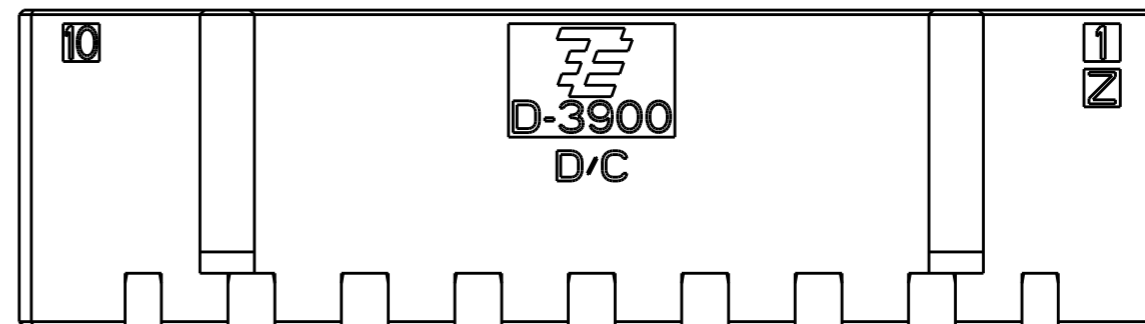
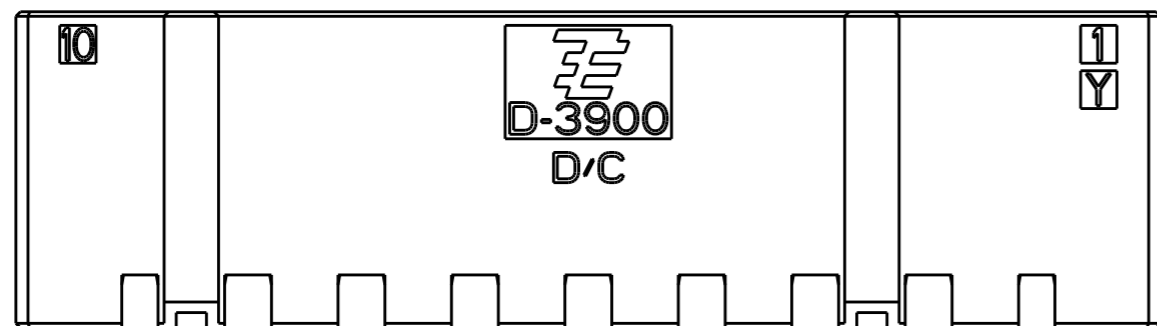
SEE SHEET 1



10POS(Y-KEY):2-2013519-0



7/10POS(Z-KEY)
CIRCUIT 1~7:9-2013519-0



THIS DRAWING IS A CONTROLLED DOCUMENT.

DWN T. KUDO 21APR2008

CHK S. MANABE 21APR2008

APVD S. MANABE 21APR2008

PRODUCT SPEC

108-78400, 5349

APPLICATION SPEC

114-5148

WEIGHT -

CUSTOMER DRAWING



TE Connectivity

NAME
DYNAMIC D3900S 7.5mmPITCH
HDR ASSY (H-TYPE)
3-10POS TYPE-A

SIZE CAGE CODE DRAWING NO RESTRICTED TO

A300779 C-2013519 -

SCALE 2:1 SHEET 2 OF 3 REV C

DIMENSIONS:		TOLERANCES UNLESS OTHERWISE SPECIFIED:	
mm			
	0 PLC	±-	
	1 PLC	±-	
	2 PLC	±-	
	3 PLC	±-	
	4 PLC	±-	
	ANGLES	±-	
MATERIAL		FINISH	

SEE SHEET 1 OF 3

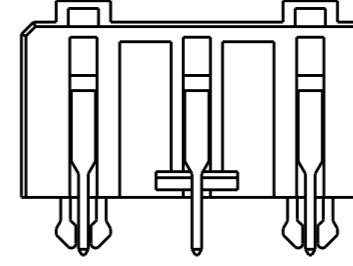
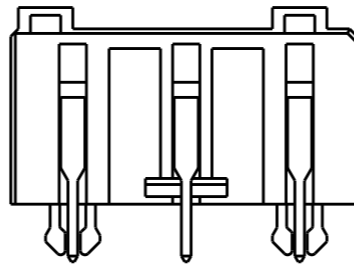
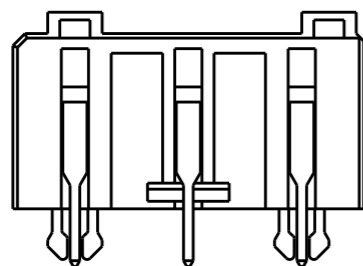
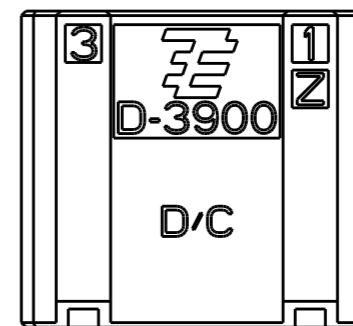
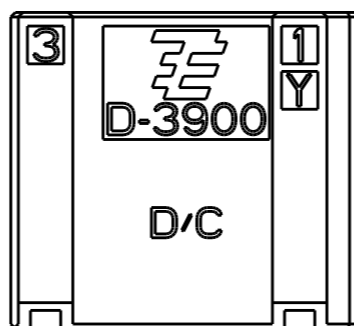
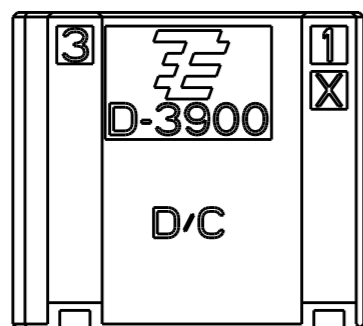
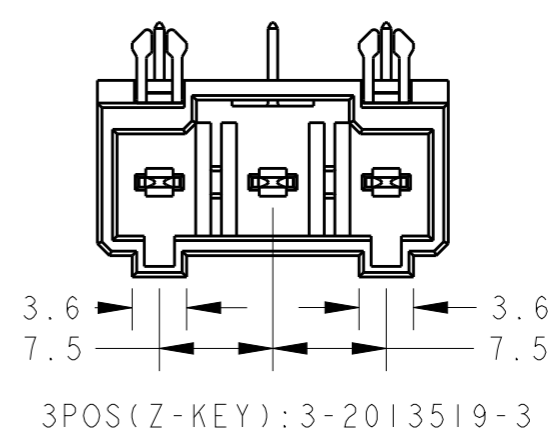
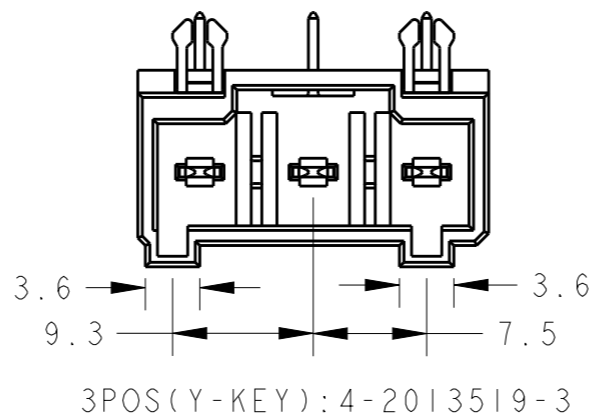
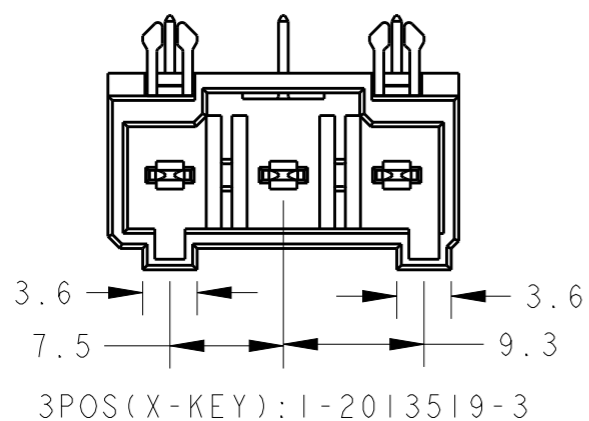
THIS DRAWING IS UNPUBLISHED.


RELEASED FOR PUBLICATION

20

© COPYRIGHT 20 BY Tyco Electronics Japan G.K. ALL RIGHTS RESERVED.

LOC	DIST	REVISIONS			
P	LTR	DESCRIPTION	DATE	DWN	APVD
J	-	SEE SHEET 1			



THIS DRAWING IS A CONTROLLED DOCUMENT.		DWN T. KUDO 21APR2008	 TE Connectivity	
DIMENSIONS: mm		CHK S. MANABE 21APR2008		
TOLERANCES UNLESS OTHERWISE SPECIFIED:		APVD S. MANABE 21APR2008	NAME DYNAMIC D3900S 7.5mmPITCH	
0 PLC ±-		PRODUCT SPEC 108-78400, 5349	HDR ASSY (H-TYPE)	
1 PLC ±-		APPLICATION SPEC 114-5148	3-10POS TYPE-A	
2 PLC ±-		WEIGHT -	SIZE A3	RESTRICTED TO -
3 PLC ±-		CUSTOMER DRAWING	CAGE CODE 00779	DRAWING NO C-2013519
4 PLC ±-			SCALE 2:1	
ANGLES ±-		REV C		
MATERIAL -				
FINISH -				

SEE SHEET 1 OF 3

单击下面可查看定价，库存，交付和生命周期等信息

[>>TE Connectivity\(泰科\)](#)