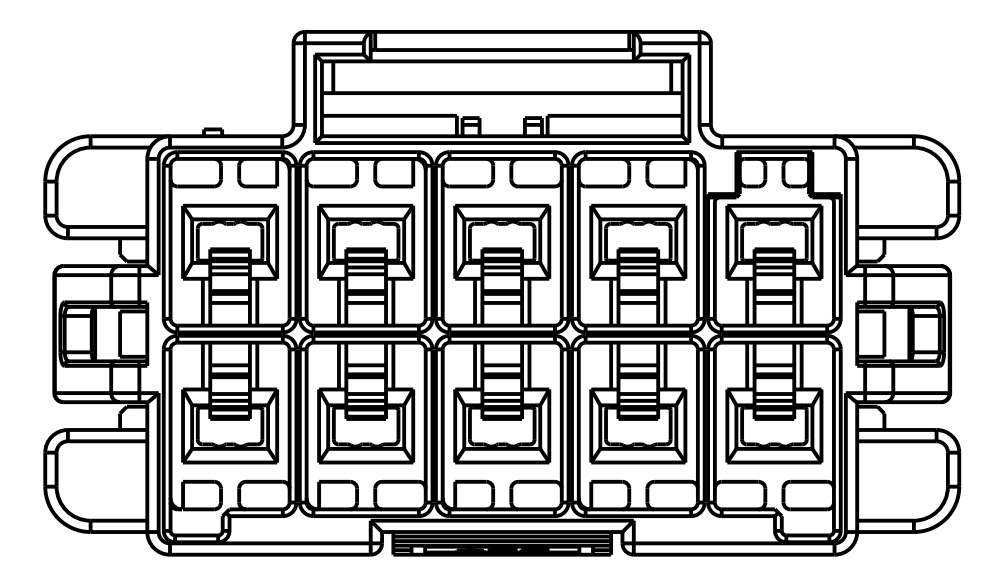
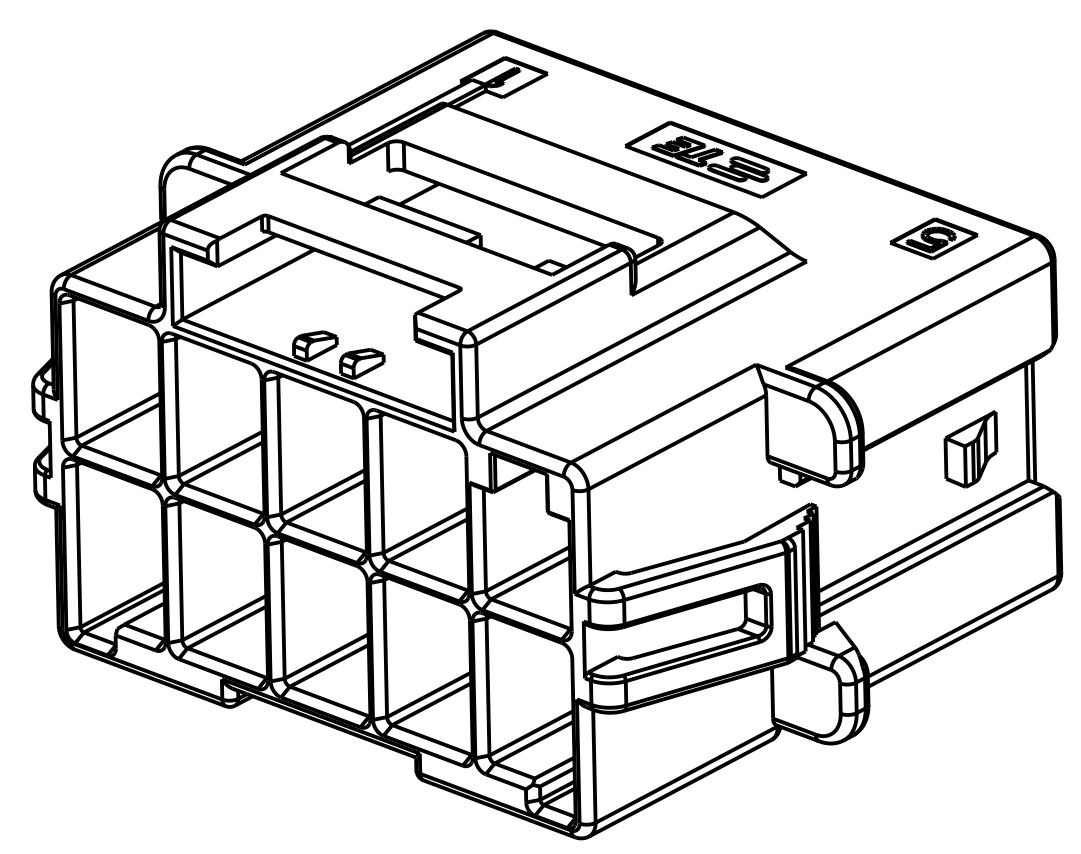
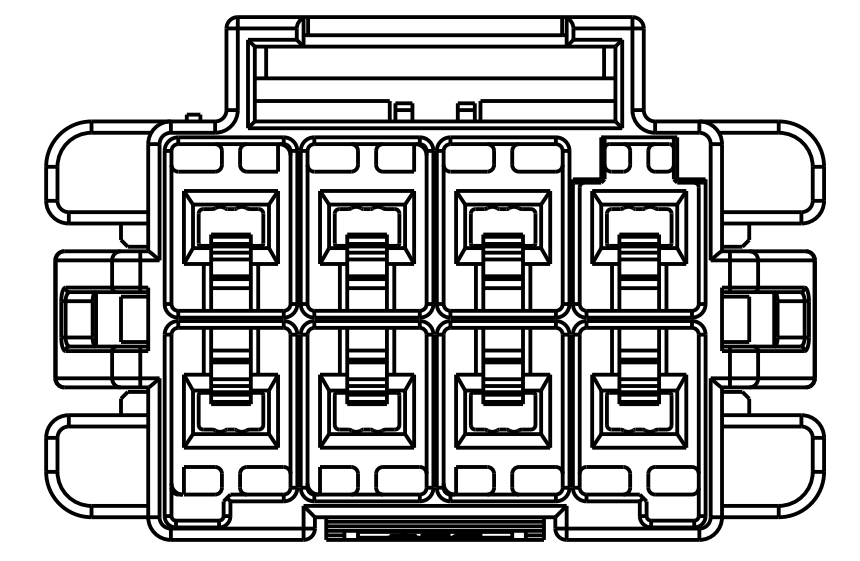
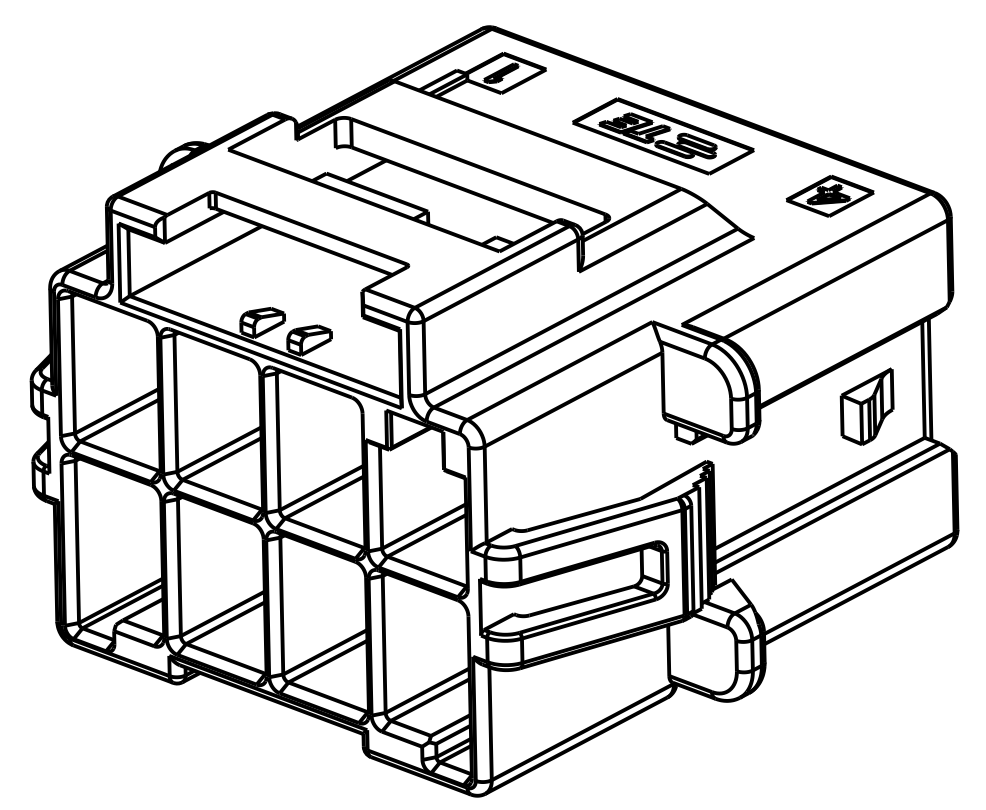


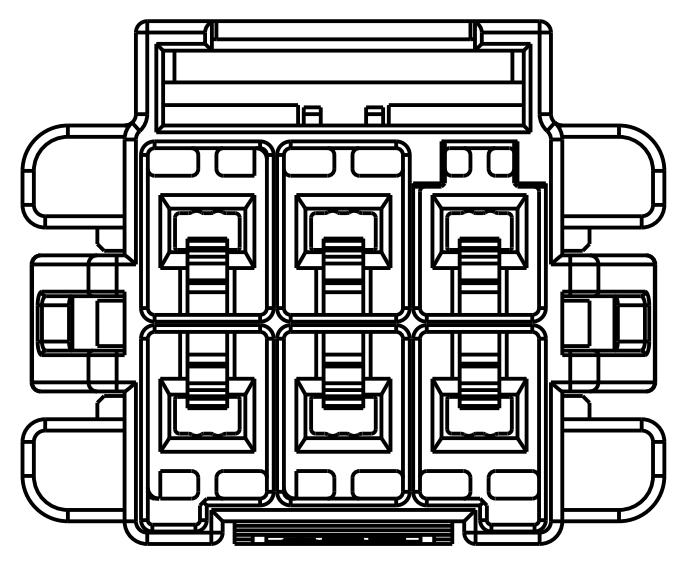
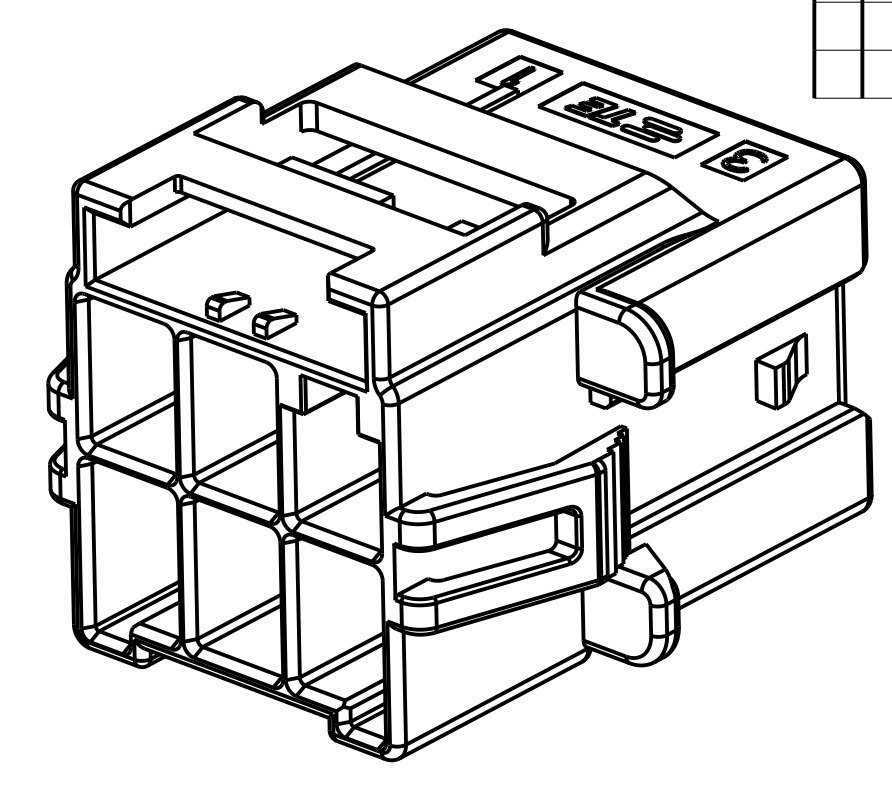
| REVISONS | | DATE | OWN | APVD |
|----------|-------------|------|-----|------|
| 1 | SEE SHEET 1 | | | |



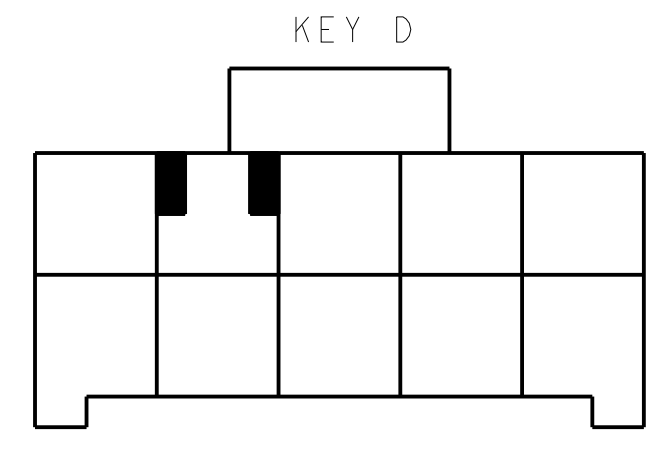
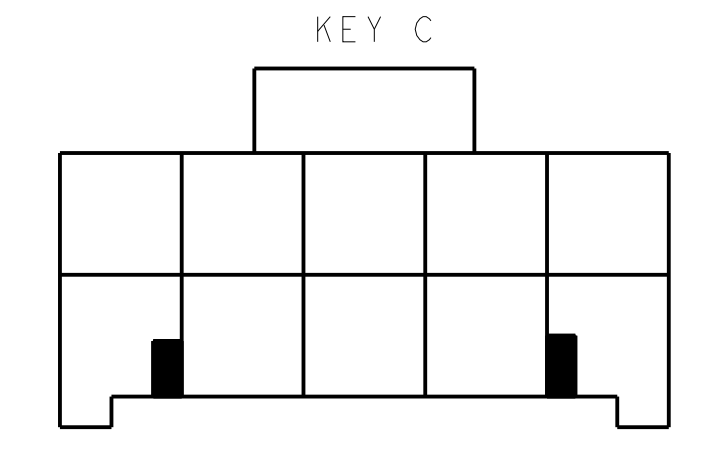
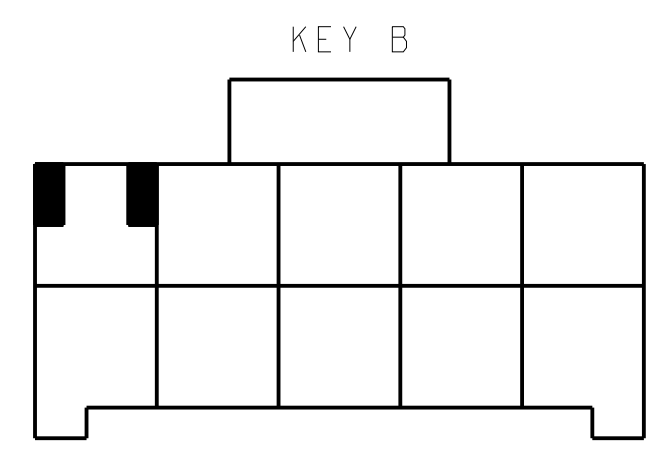
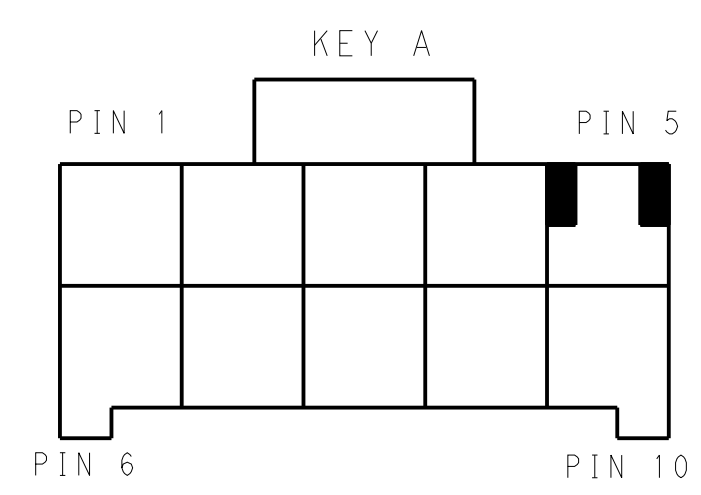
2*5 POSITIONS



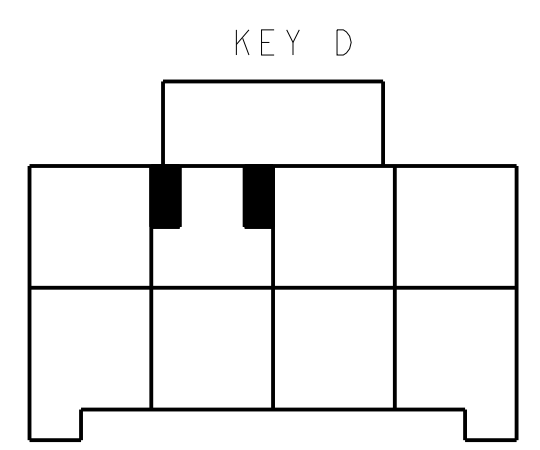
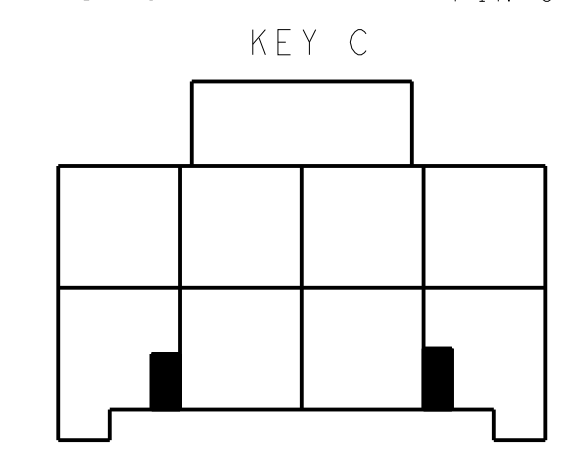
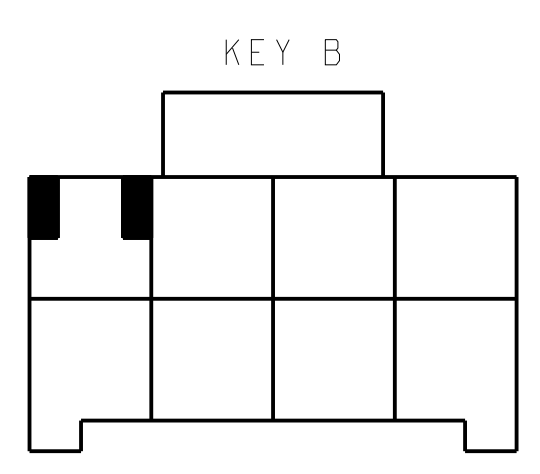
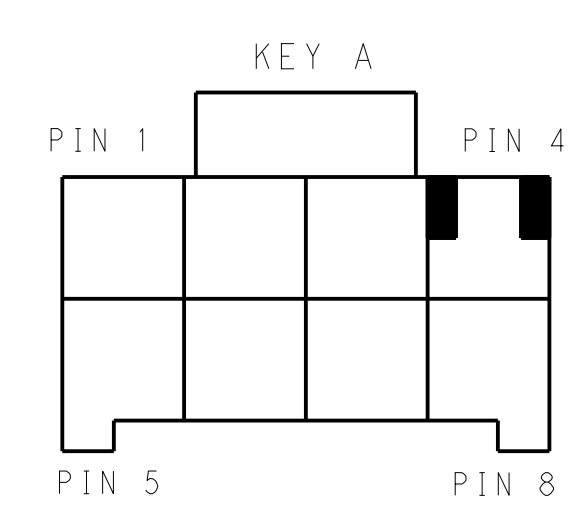
2*4 POSITIONS



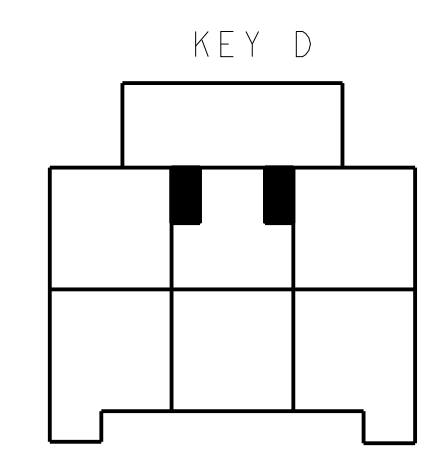
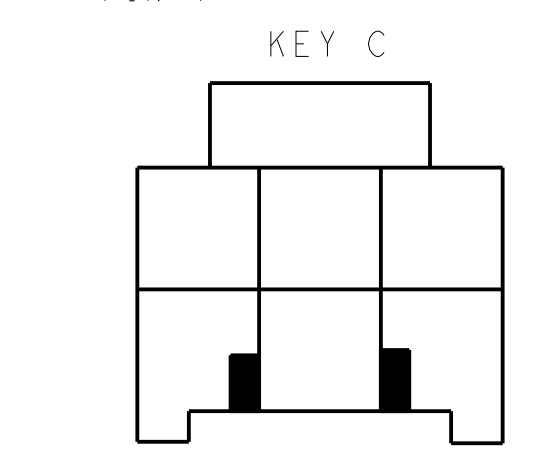
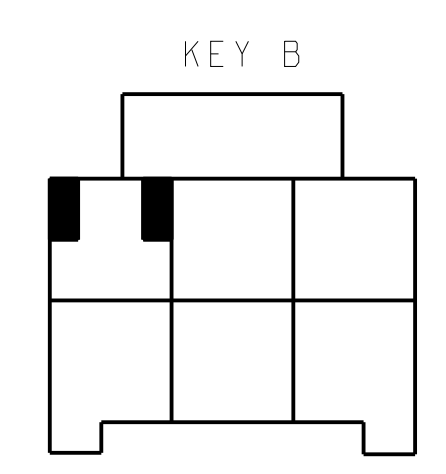
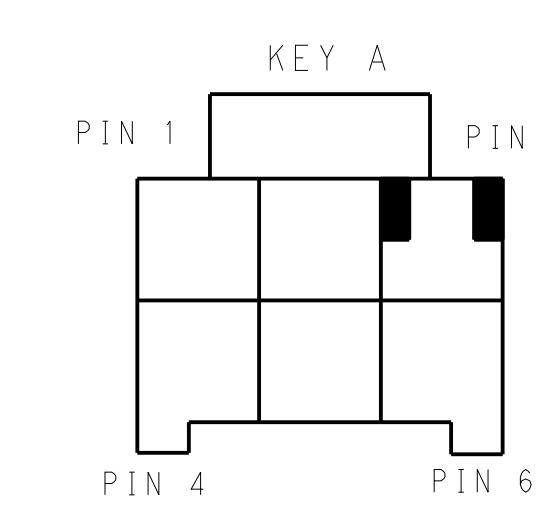
2*3 POSITIONS



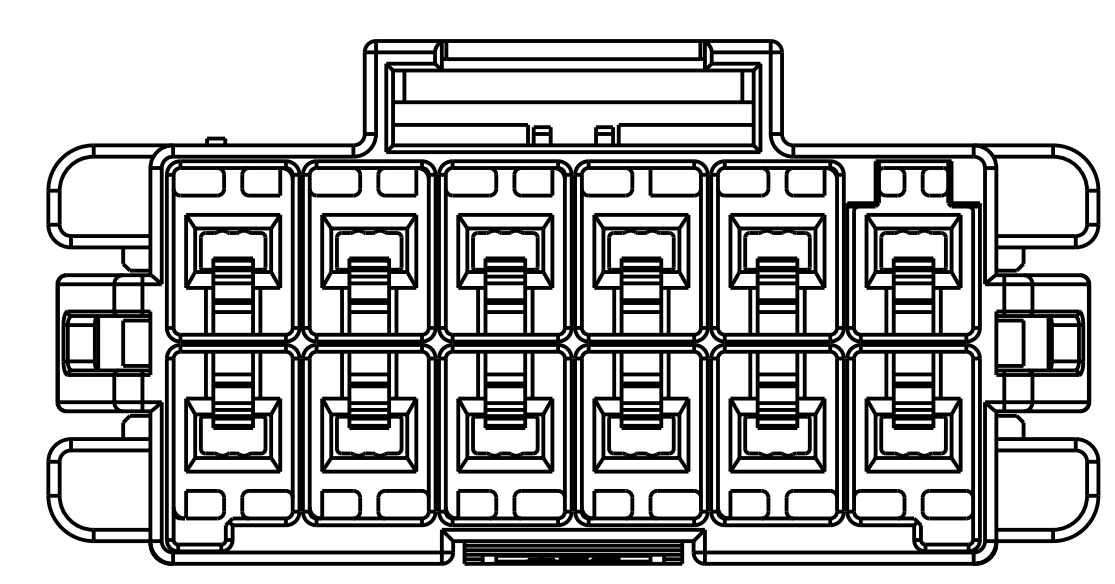
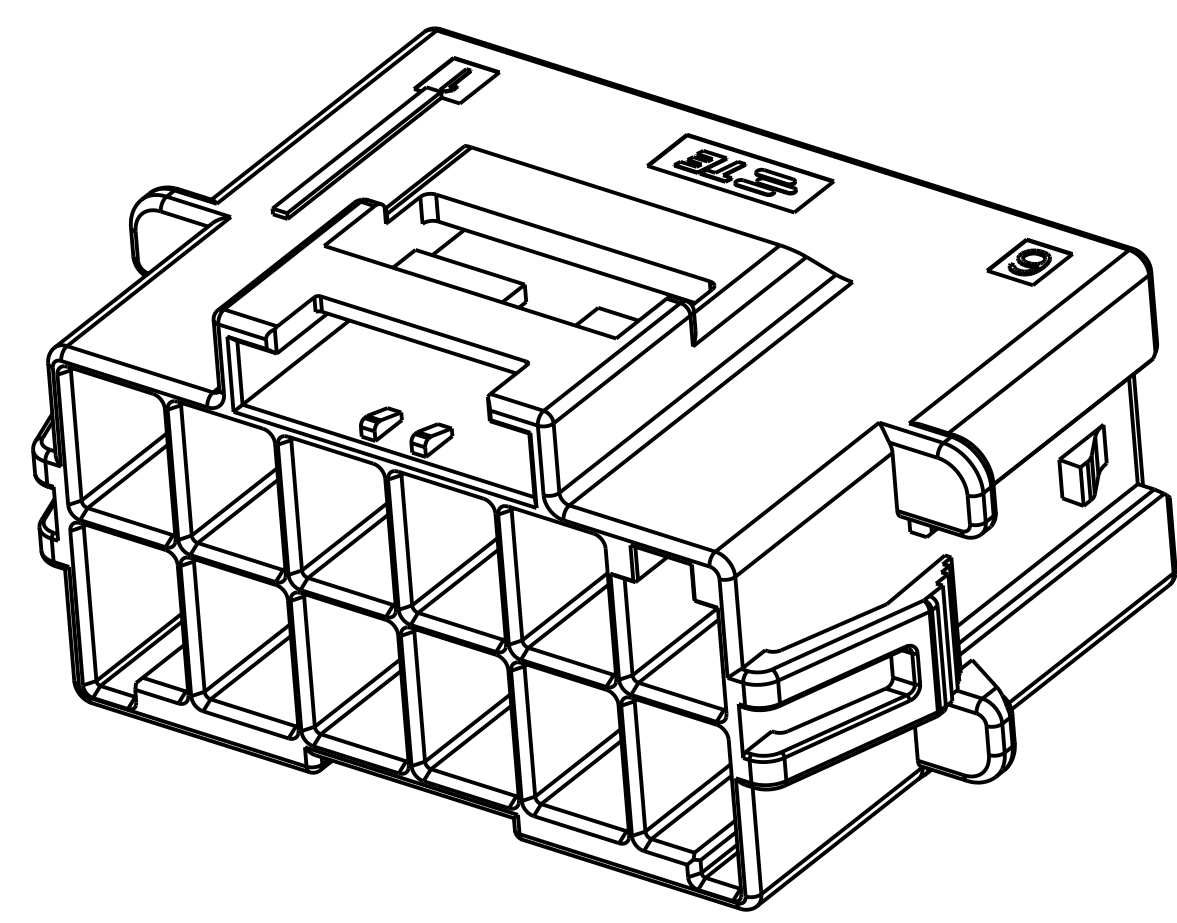
KEYING FOR 2*5 POS.



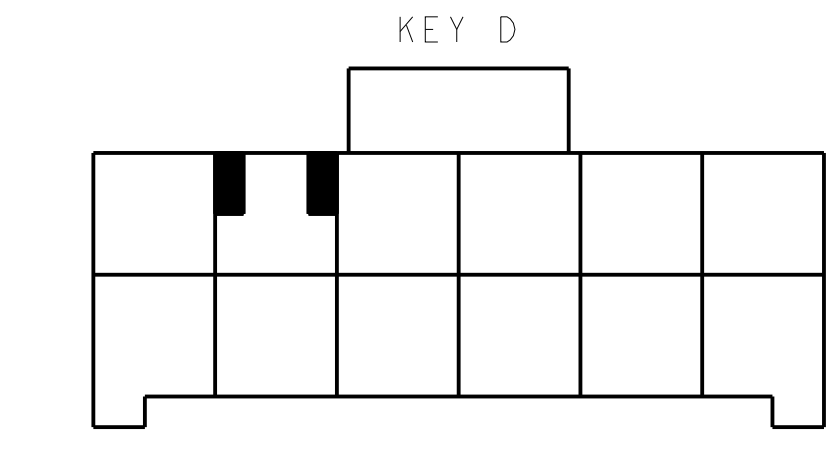
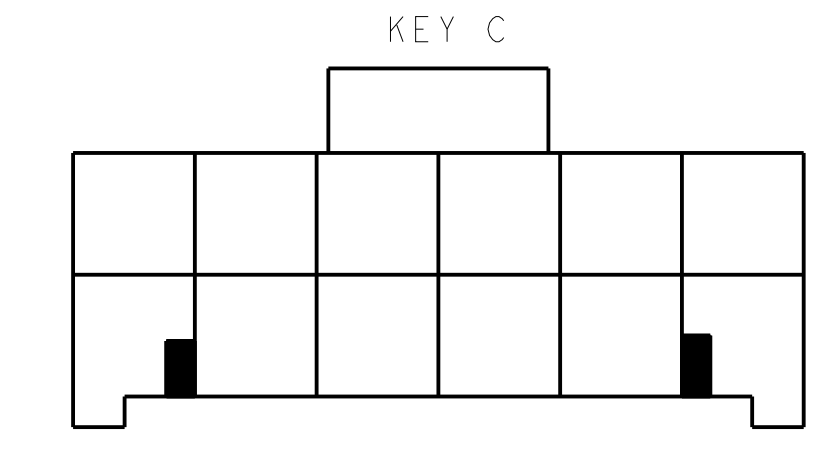
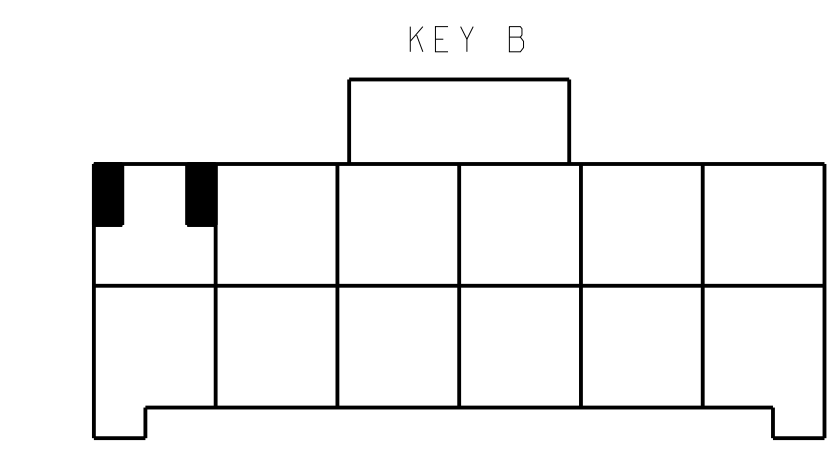
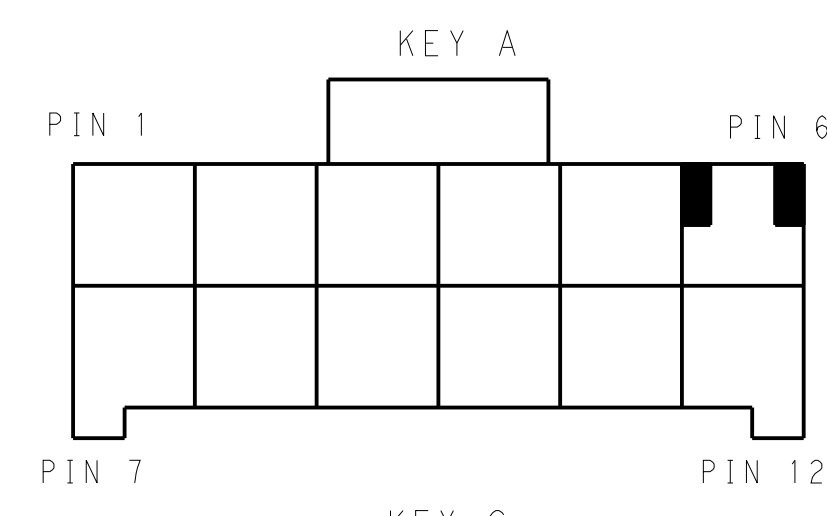
KEYING FOR 2*4 POS.



KEYING FOR 2*3 POS.



2*6 POSITIONS



KEYING FOR 2*6 POS.

| POS. | MATERIAL | COLOR | KEY | P/N |
|---------|----------|-----------|-------------|-------------|
| 2*6 | LEVEL A | DARK GREY | KEY A | 5-2232264-6 |
| | | BROWN | KEY B | 6-2232264-6 |
| | | GREEN | KEY C | 7-2232264-6 |
| | | ORANGE | KEY D | 8-2232264-6 |
| 2*5 | LEVEL A | DARK GREY | KEY A | 5-2232264-5 |
| | | BROWN | KEY B | 6-2232264-5 |
| | | GREEN | KEY C | 7-2232264-5 |
| | | ORANGE | KEY D | 8-2232264-5 |
| 2*4 | LEVEL A | DARK GREY | KEY A | 5-2232264-4 |
| | | BROWN | KEY B | 6-2232264-4 |
| | LEVEL B | BLACK | KEY A | 1-2232264-4 |
| | | ORANGE | KEY D | 8-2232264-4 |
| 2*3 | LEVEL A | DARK GREY | KEY A | 5-2232264-3 |
| | | BROWN | KEY B | 6-2232264-3 |
| | | GREEN | KEY C | 7-2232264-3 |
| | | ORANGE | KEY D | 8-2232264-3 |
| LEVEL B | BLACK | KEY A | 1-2232264-1 | |

THIS DRAWING IS A CONTROLLED DOCUMENT. DIMENSIONS: mm. TOLERANCES UNLESS OTHERWISE SPECIFIED: 0 PLC ±.1, 1 PLC ±0.35, 2 PLC ±0.25, 3 PLC ±.1, 4 PLC ±.1, ANGLES ±.1.

OWN: TOMMY_WU 26MAR2013
 CHK: HAPYE_WU 26MAR2013
 APVD: YUZHONG_MAO 26MAR2013

PRODUCT SPEC: 108-106118
 APPLICATION SPEC: 114-106118

STE TE Connectivity
 NAME: CAP HOUSING, PANEL MOUNT, DOUBLE ROW POWER TRIPLE LOCK
 SIZE: A100779
 CAGE CODE: C=2232264
 SCALE: 1:1
 SHEET 2 OF 2
 REV C

单击下面可查看定价，库存，交付和生命周期等信息

[>>TE Connectivity\(泰科\)](#)