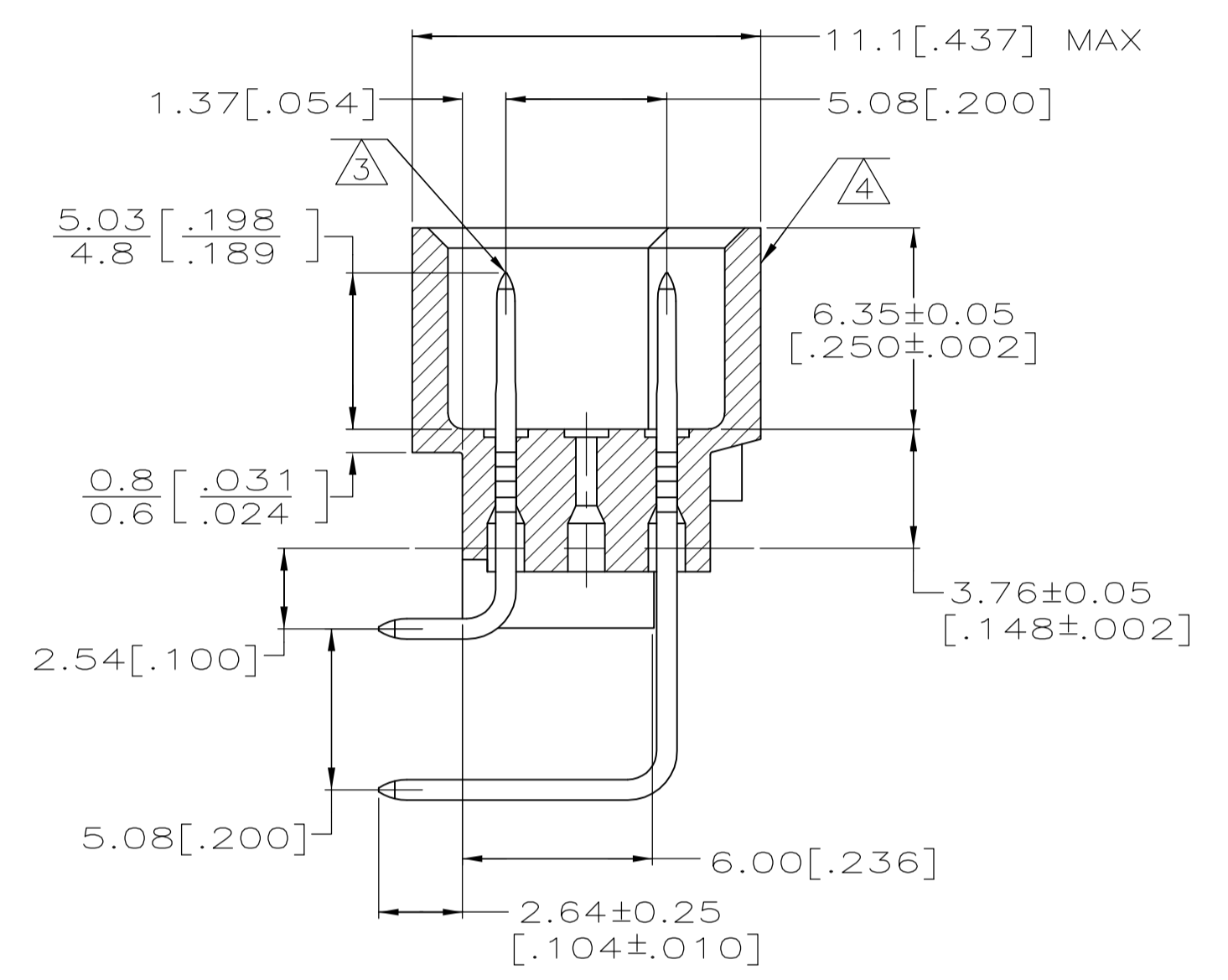


PC BOARD LAYOUT

- ① HOUSING MATERIAL: GLASS-FILLED POLYMER.
- ② POST MATERIAL: COPPER ALLOY.
- ③ POST FINISH: DIN 41612 CLASS 2 IN CONTACT AREA. TIN PLATE ON POSTS.
- ④ MARKING ON THIS SIDE.
- ⑤ RECOMMENDED HOLE SIZE FOR MANUAL APPLICATION OF CONNECTOR ONTO PC BOARD.
- ⑥ AMP PART NUMBER, DATE CODE MARKED THIS APPROXIMATE AREA.



SECTION Z-Z

REFERENCE FAMILY DRAWING 650473 FOR ALL TYPE C HEADER OFFERINGS

1-32	X	-	X	64	5650945-5
POSITIONS LOADED	C	B	A	NO. OF LOADED POSITIONS	PART NUMBER
	ROWS LOADED				

THIS DRAWING IS A CONTROLLED DOCUMENT.		DIN J. POLIGNONE DSMAY05		TE Connectivity	
DIMENSIONS: mm [INCHES]		TOLERANCES UNLESS OTHERWISE SPECIFIED:			
0 PLC ± - 1 PLC ± - 2 PLC ± 0.13[.005] 3 PLC ± - 4 PLC ± - ANGLES ± -		0.15 [M] 0.006 [M]		NAME: ASSEMBLY, PIN, EUROCARD, TYPE C, A and C, 64/96 POSITION, 2.64[.104] SOLDER POST SELECT LOAD PRODUCT SPEC: - APPLICATION SPEC: -	
MATERIAL		FINISH		SIZE: A1 CAGE CODE: 00779 DRAWING NO: 5650945 WEIGHT: - CUSTOMER DRAWING: -	
① ② ③		④ ⑤ ⑥		SCALE: 5:1 SHEET: 1 of 1 REV: A	

单击下面可查看定价，库存，交付和生命周期等信息

[>>TE Connectivity\(泰科\)](#)