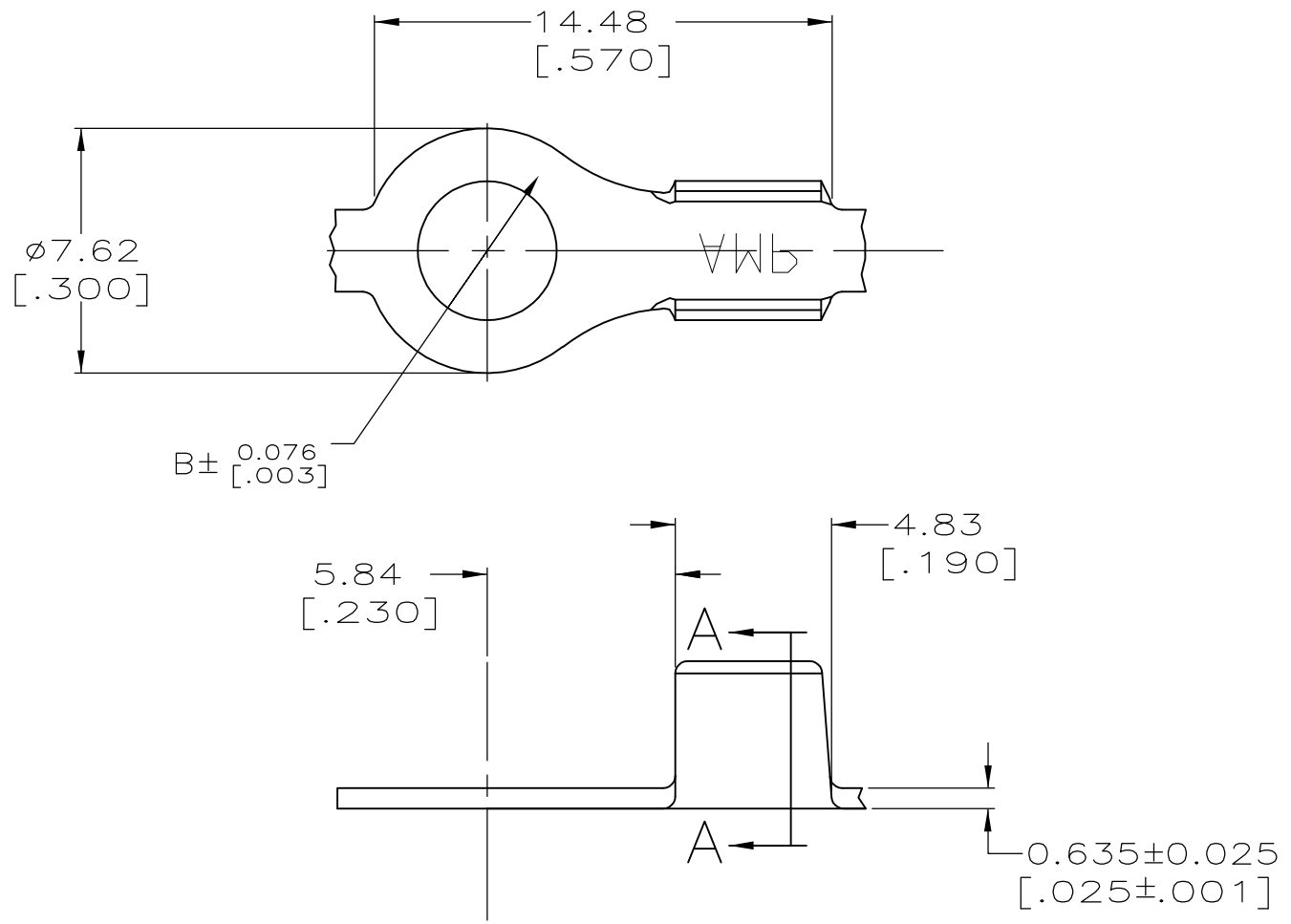
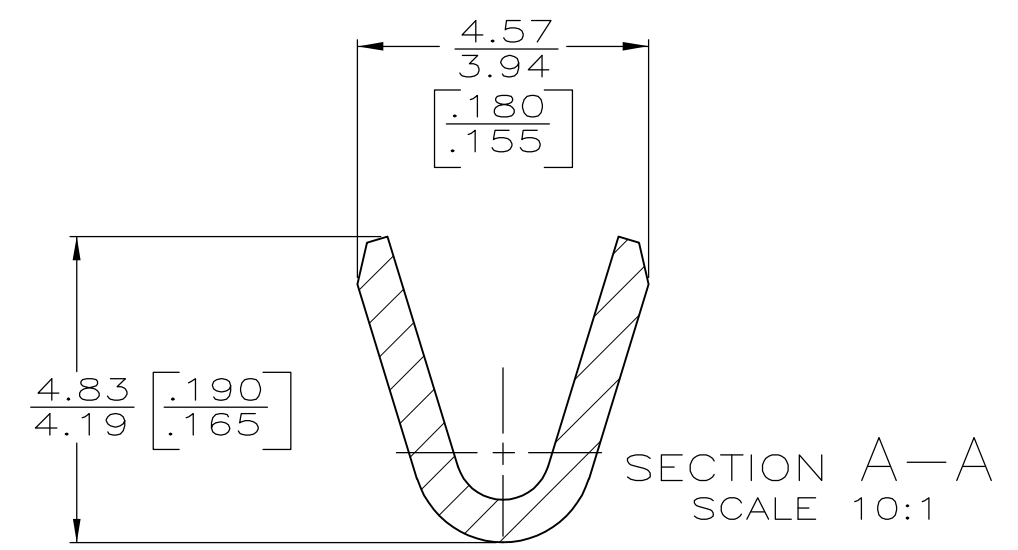


THIS DRAWING IS UNPUBLISHED. RELEASED FOR PUBLICATION  
 © COPYRIGHT BY TYCO ELECTRONICS CORPORATION. ALL INTERNATIONAL RIGHTS RESERVED.

LOC	DIST	REVISIONS					
AF	50	P	LTR	DESCRIPTION	DATE	DWN	APVD
			C2	REVISED PER ECR-08-008189	24NOV08	HMR	DD



- 1 CONTINUOUS STRIP ON REELS.
- 2 TIN PLATING.
- 3 WIRE RANGE: 0.8–2.0mm<sup>2</sup> [18–14] AWG.
- 4 PACKAGED WITH INTERLEAVING PAPER.
- 5 PRELIMINARY – NOT FOR PRODUCTION.



4	.171	5	42111-4
	.197		42111-3
	.171		42111-2
	.145		42111-1
	B DIMENSION		PART NUMBER

F	3.56 [.140]	2.21 [.087] 2.03 [.080] 1.93 [.076]	2.0mm <sup>2</sup> [14] 1.3mm <sup>2</sup> [16] 0.8mm <sup>2</sup> [18]
TYPE	WIDTH	±0.051 [±.002] HEIGHT	WIRE
WIRE BARREL CRIMP			

THIS DRAWING IS A CONTROLLED DOCUMENT.

DIMENSIONS: mm [INCHES]	TOLERANCES UNLESS OTHERWISE SPECIFIED:	DWN MICHAEL S. FEHER 9AUG2006	Tyco Electronics Corporation Harrisburg, PA 17105-3608
	0 PLC ± -	CHK DONALD F. DECKER 09AUG2006	
	1 PLC ± -	APVD DONALD F. DECKER 09AUG2006	
	2 PLC ± -	NAME	
	3 PLC ± 0.38 [.015]	PRODUCT SPEC	RING
	4 PLC ± -	APPLICATION SPEC	
	ANGLES ± -	WEIGHT	SIZE CAGE CODE DRAWING NO RESTRICTED TO
MATERIAL	FINISH	CUSTOMER DRAWING	A3 00779 C-42111
#1 HARD BRASS	2	SCALE 5:1	SHEET 1 OF 1 REV C2

单击下面可查看定价，库存，交付和生命周期等信息

[>>TE Connectivity\(泰科\)](#)