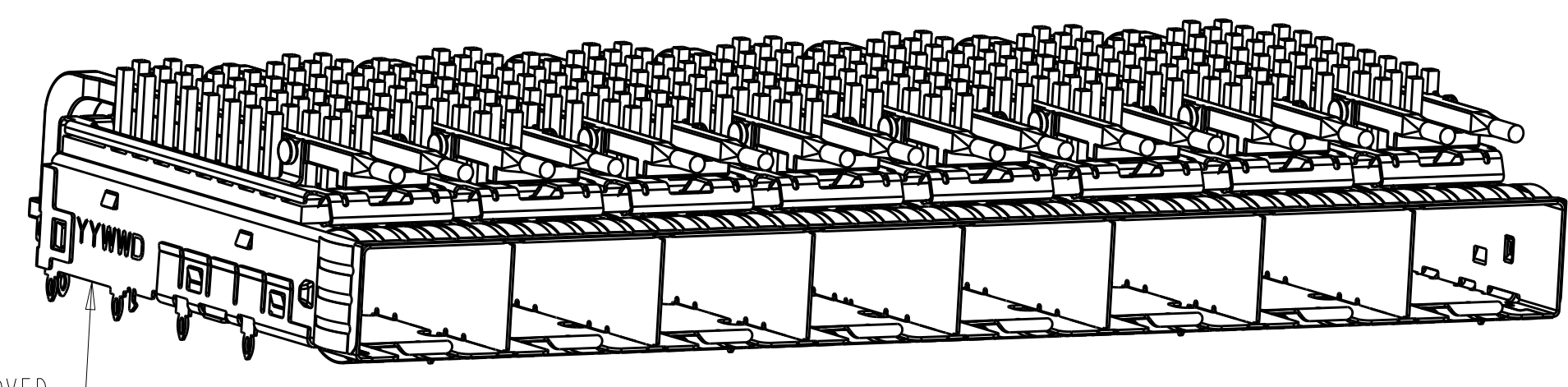
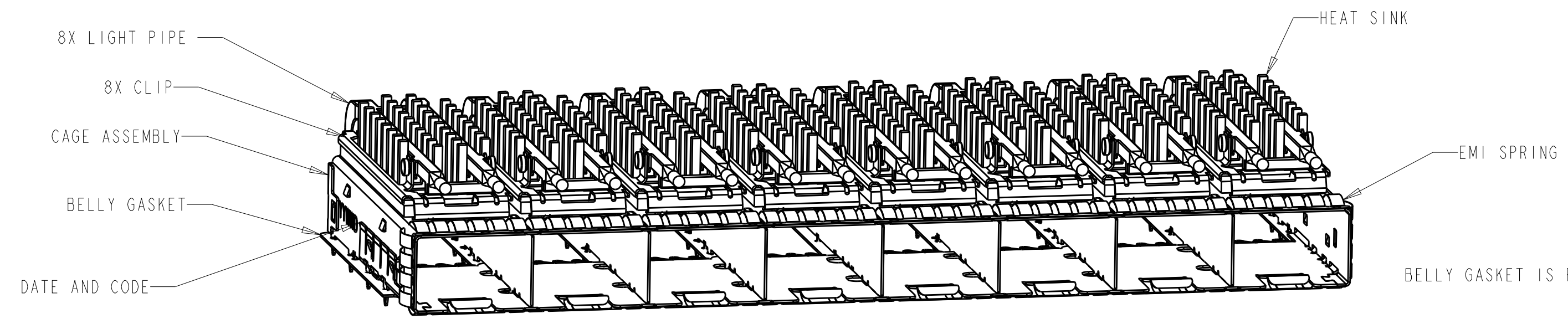


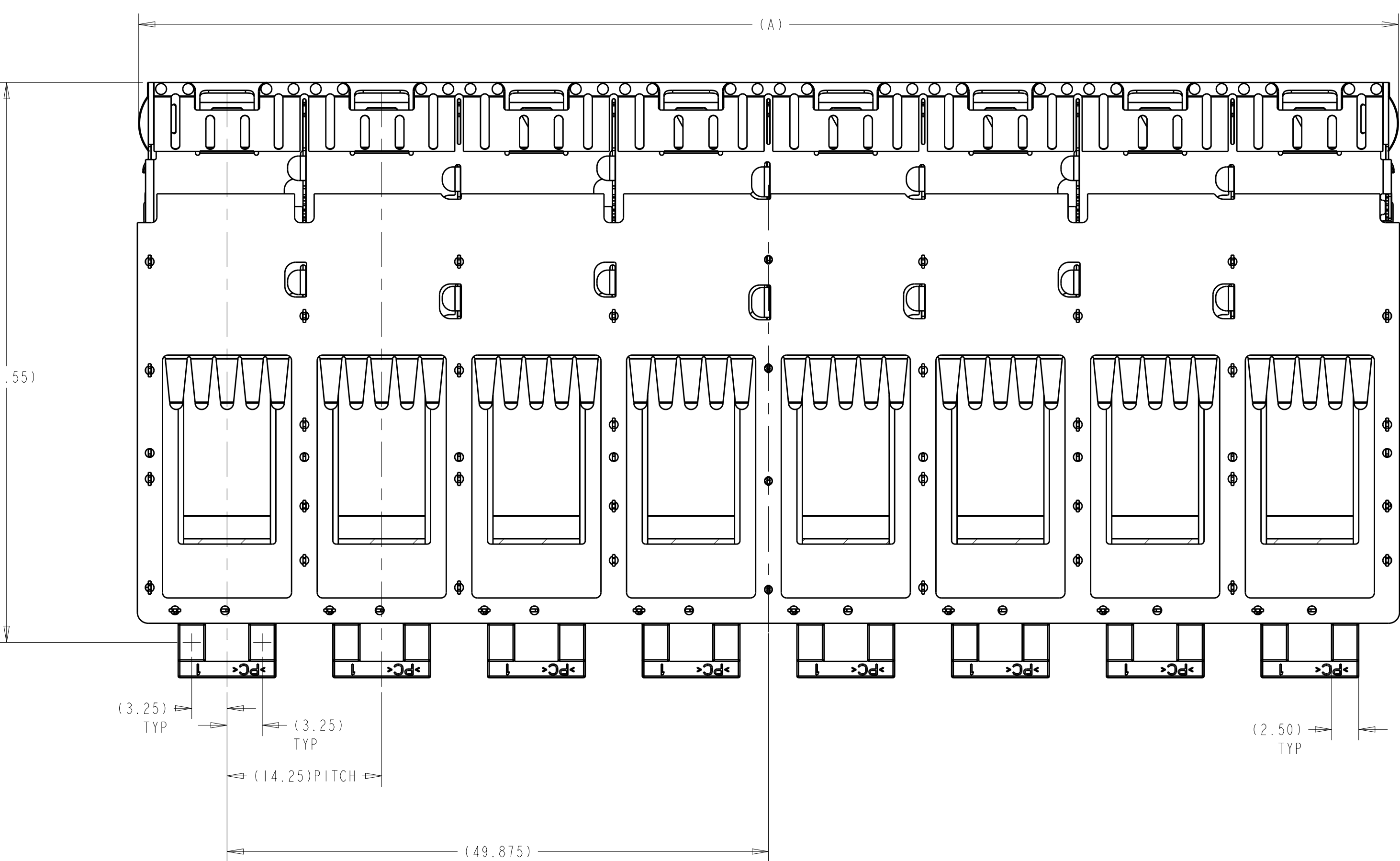
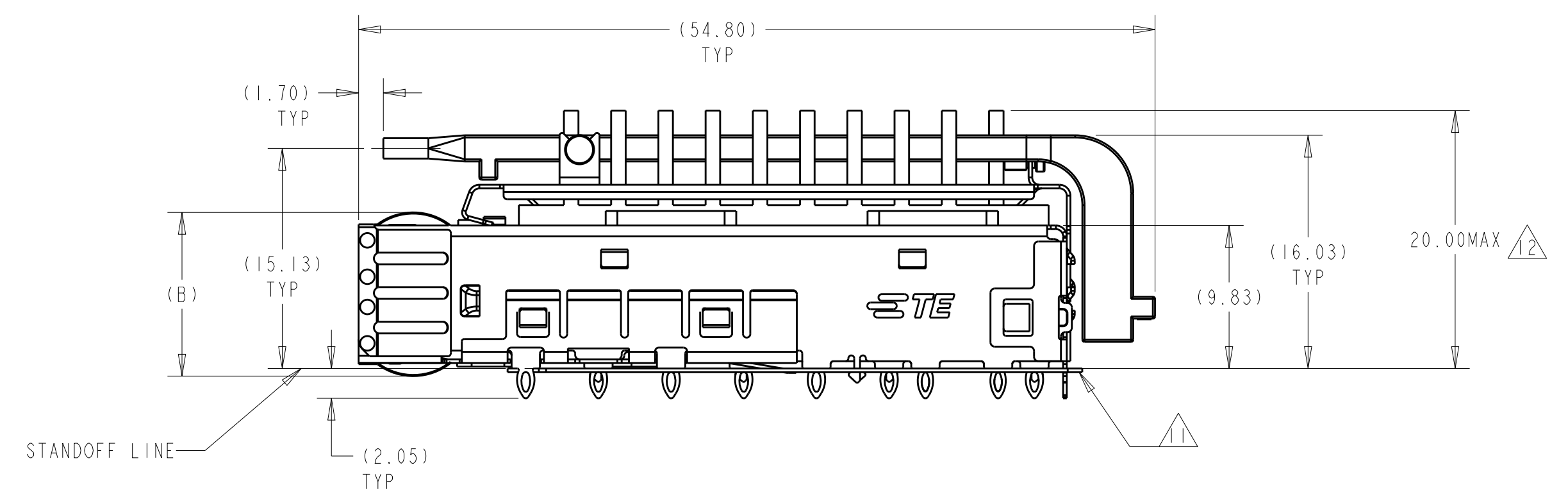
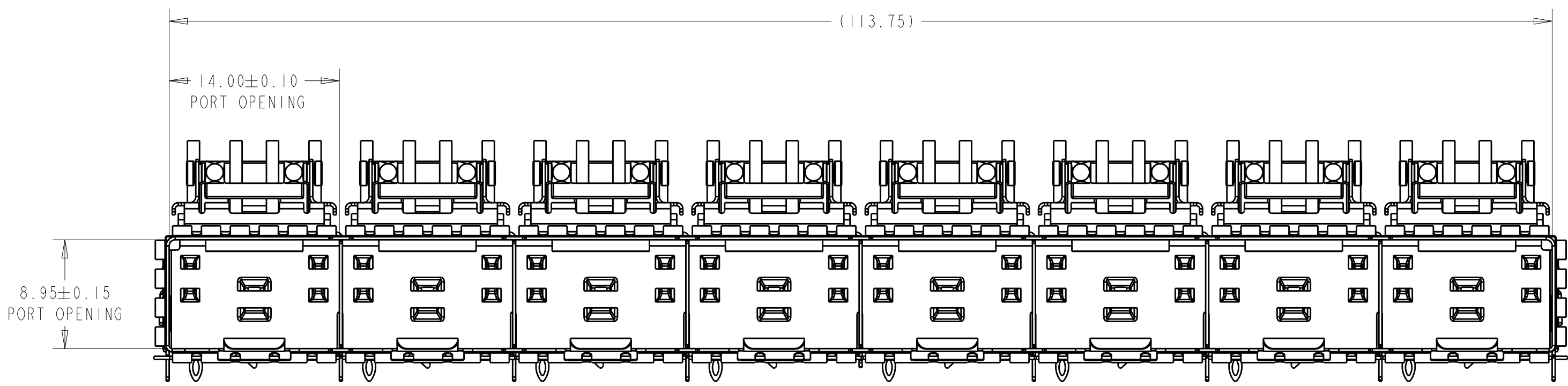
LOC	DIST	REVISIONS			
P	LTN	DESCRIPTION	DATE	OWN	APVD
A		RELEASE TO PRODUCTION	21APR2016	KO	SH
B		REVISED PER ECO-16-014593	14FEB2017	JW	SH
B1		REVISED PER ECO-17-005342	11OCT2017	JW	SH



SCALE 2:1

1-2294408-1, DIMENSIONS SAME AS 2294408-1
 SCALE 2:1

2294408-1
 SCALE 3:1



- 1 MATERIAL:
 CAGE ASSEMBLY: NICKEL SILVER ALLOY, (0.25mm)
 PCB GASKET: RF ABSORBER
 EMI SPRINGS: PHOSPHOR BRONZE
 LIGHT PIPE&HEATSINK CLIP: STAINLESS STEEL
 LIGHT PIPE: POLYCARBONATE, CLEAR
 HEATSINK: ALUMINUM
- 2 MINIMUM PC BOARD THICKNESS:
 SINGLE SIDE = 1.45mm
 BELLY TO BELLY = 2.25mm
- 3 PADS AND VIAS CHASSIS GROUND
- 4 DATUM AND BASIC DIMENSION ESTABLISHED BY CUSTOMER
- 5. MATES WITH SFP MSA COMPLIANT TRANSCEIVERS
- 6. INTERPRETATION OF DATUM REFERENCE FRAME IN ACCORDANCE WITH SECT 4.4.1.1 OF ASME Y14.5M-1994
- 7 REFERENCE APPLICATION SPEC. 114-13120, HOLE A, FOR RECOMMENDED DRILL HOLE DIAMETER AND PLATING THICKNESS
- 8 REFERENCE APPLICATION SPEC. 114-13120, HOLE B, FOR RECOMMENDED DRILL HOLE DIAMETER AND PLATING THICKNESS
- 9 HOLE PATTERN REPEATS FOR EACH PORT, SPACING BETWEEN PORTS IS 14.25mm
- 10. PRODUCT COMPLIES WITH SPECIFICATION SFF-8433, IMPROVED PLUGGABLE FORM FACTOR FOR SFP+ GANGED CAGES
- 11 CONTACT STANDOFF WILL PIERCE GASKET WHEN PROPERLY PRESSED INTO PCB.
- 12 DIMENSION APPLIES WITH MODULE INSERTED IN CAGE.
- 13 BELLY GASKET IS REMOVED

10.85	115.64	15.0 MAX HEIGHT, PIN TYPE	NA	1-2294408-2
10.85	115.64	20.0 MAX HEIGHT, PIN TYPE	DUAL, STANDARD HEIGHT&LENGTH	1-2294408-1
11.25	116.04	17.0 MAX HEIGHT, PIN TYPE	DUAL, STANDARD HEIGHT&LENGTH	2294408-5
11.25	116.04	17.0 MAX HEIGHT, PIN TYPE	DUAL, STANDARD HEIGHT&LENGTH	2294408-4
11.25	116.04	20.0 MAX HEIGHT, PIN TYPE	DUAL, STANDARD HEIGHT&LENGTH, COATED	2294408-3
11.25	116.04	15.0 MAX HEIGHT, PIN TYPE	NA	2294408-2
11.25	116.04	20.0 MAX HEIGHT, PIN TYPE	DUAL, STANDARD HEIGHT&LENGTH	2294408-1
(DIM B)	(DIM A)	HEATSINK DESC	LIGHT PIPE DESC	PART NUMBER

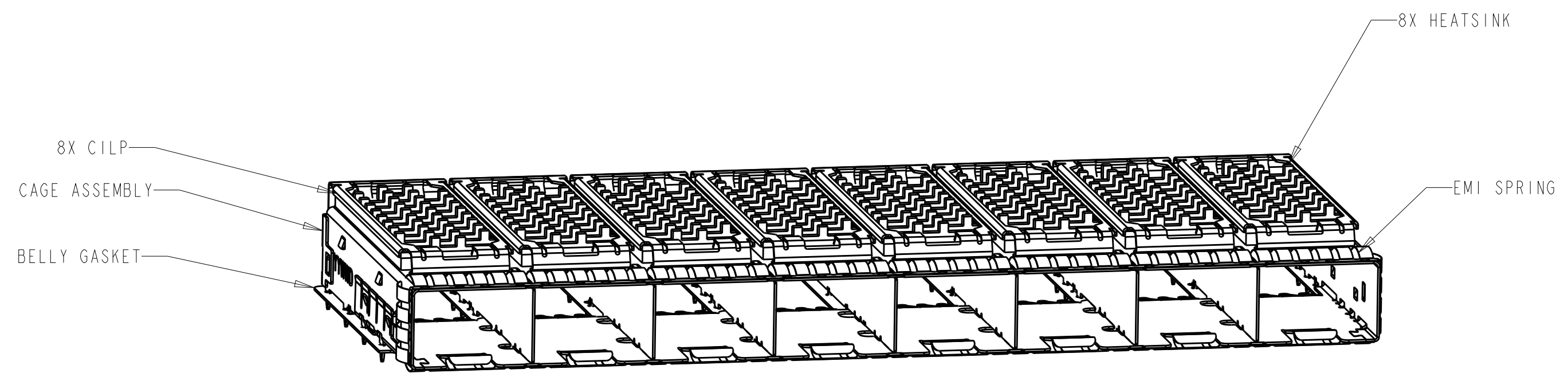
THIS DRAWING IS A CONTROLLED DOCUMENT. DIMENSIONING AND TOLERANCING PER ASME Y14.5M-2009. TOLERANCES UNLESS OTHERWISE SPECIFIED:

mm	PLC	±
0	PLC	±0.25
1	PLC	±0.25
2	PLC	±0.25
3	PLC	±0.25
4	PLC	±0.25
ANGLES	±	°

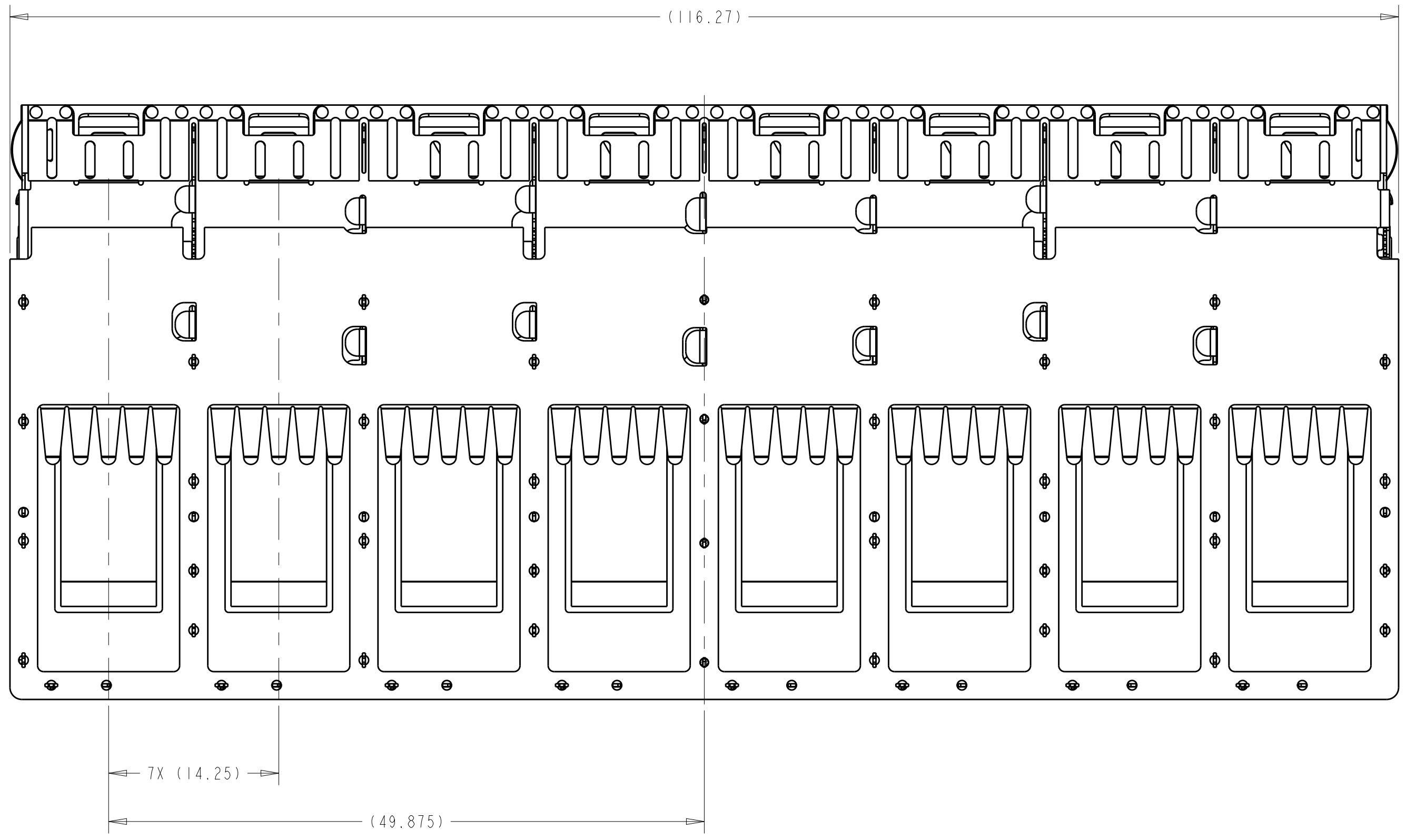
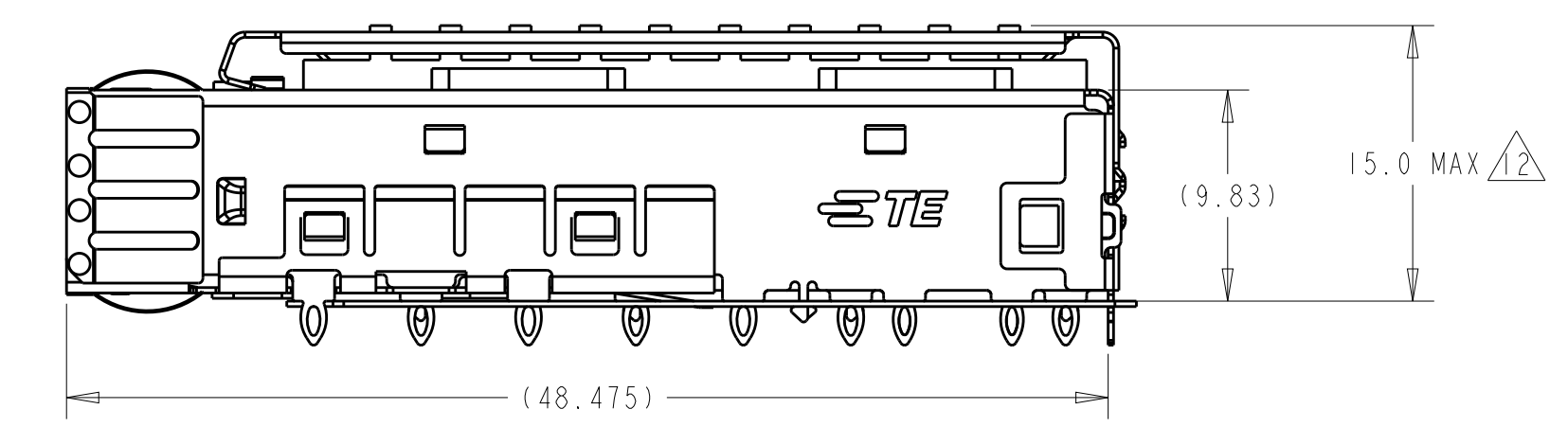
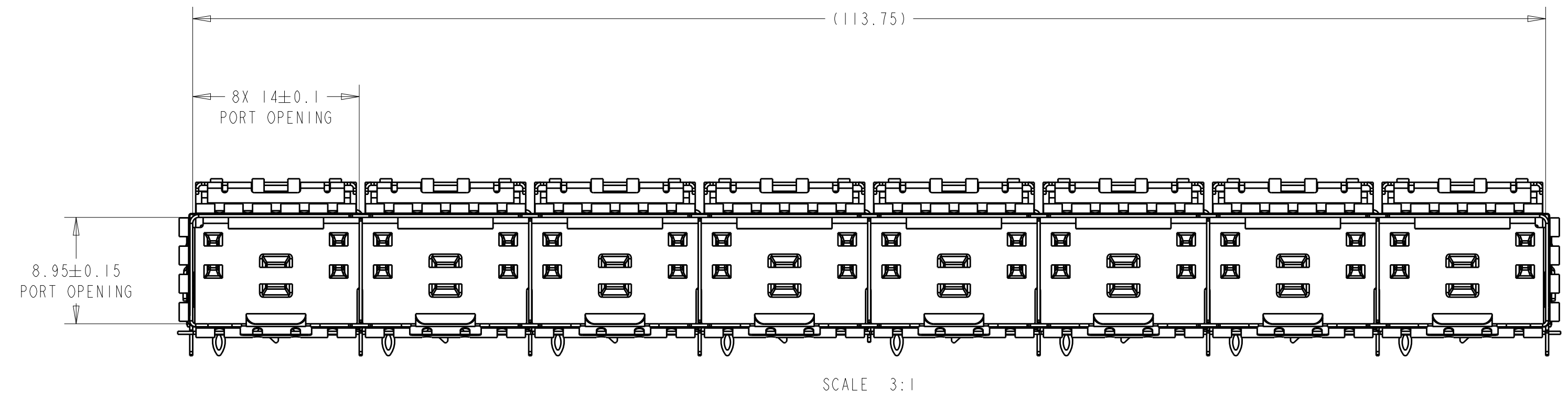
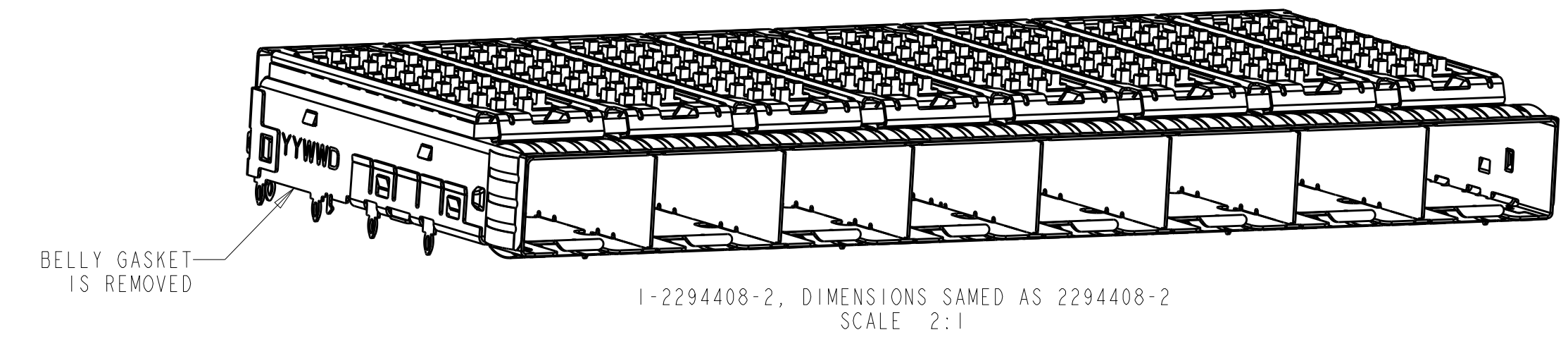
MATERIAL: SEE NOTES. FINISH: SEE NOTES.

OWN: REVIN	24JUL2015	TE Connectivity
CHK: SEAN HAN	24JUL2015	
APVD: SEAN HAN	24JUL2015	
NAME: SEAN HAN	24JUL2015	
CAGE ASSEMBLY, PRESS-FIT, EMI SPRINGS, 1X8, zSFP+		RESTRICTED TO
SIZE: A1	CAGE CODE: 00779	DRAWING NO: 2294408
CUSTOMER DRAWING		SCALE: 3:1 SHEET 1 OF 6 REV: B1

LOC	DIST	REVISIONS			
P	LYR	DESCRIPTION	DATE	DMN	APVD
GP	00	SEE SHEET 1			

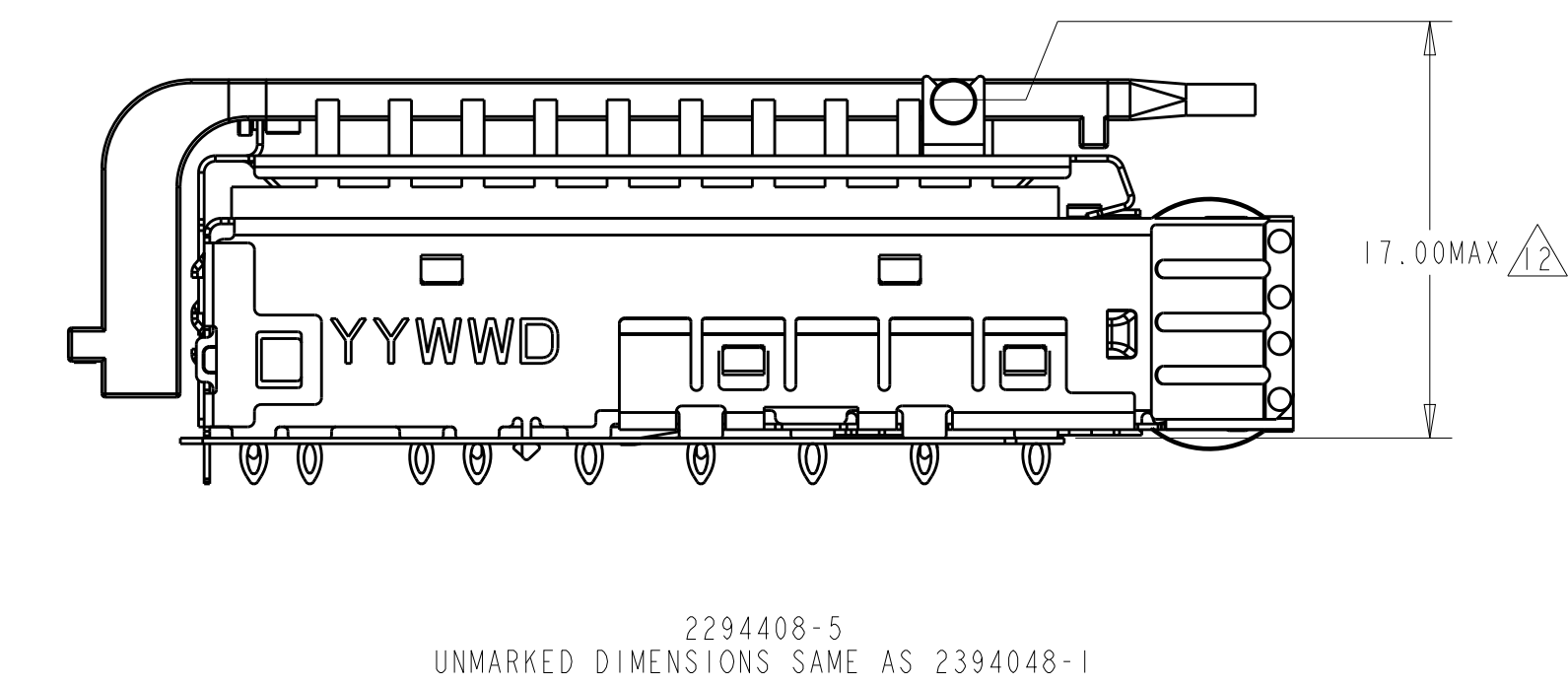
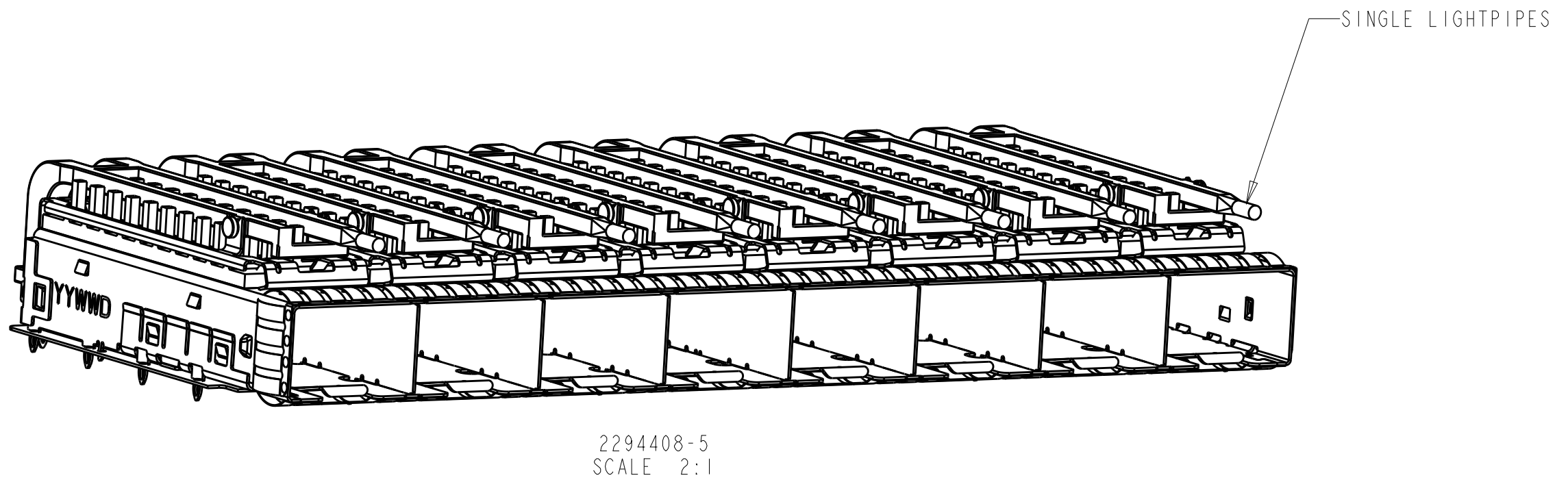
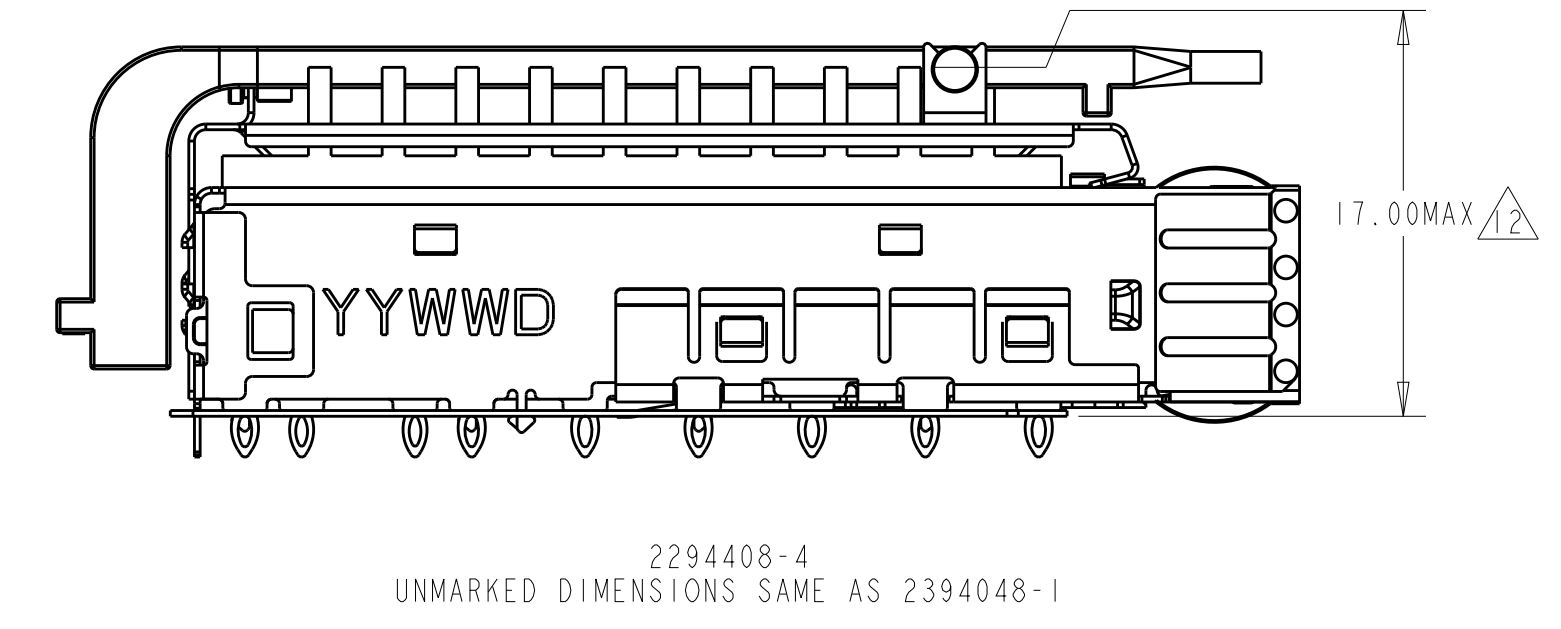
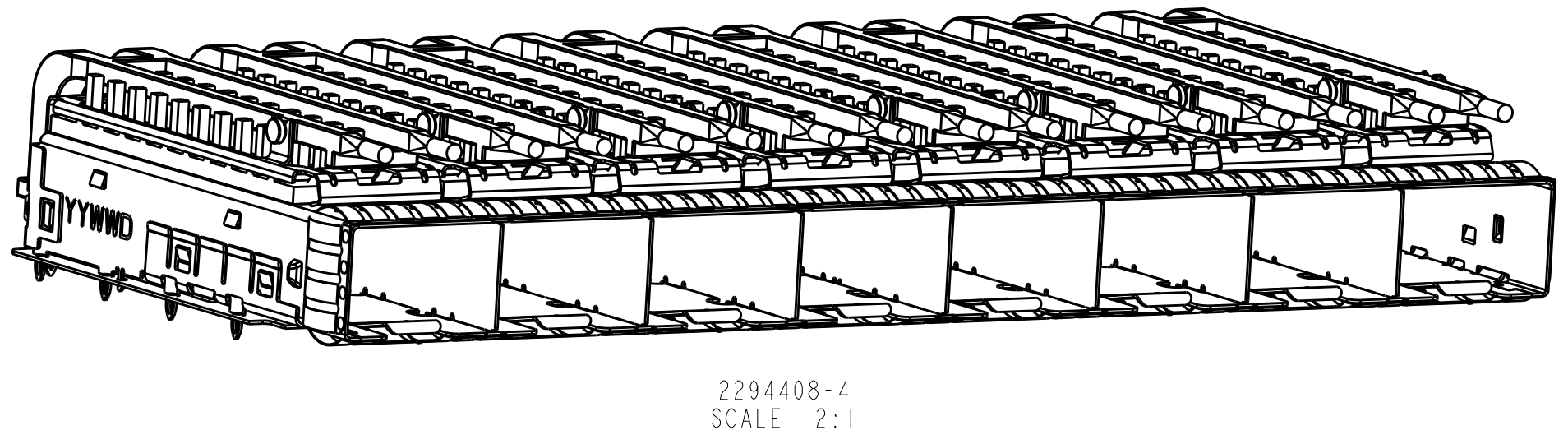
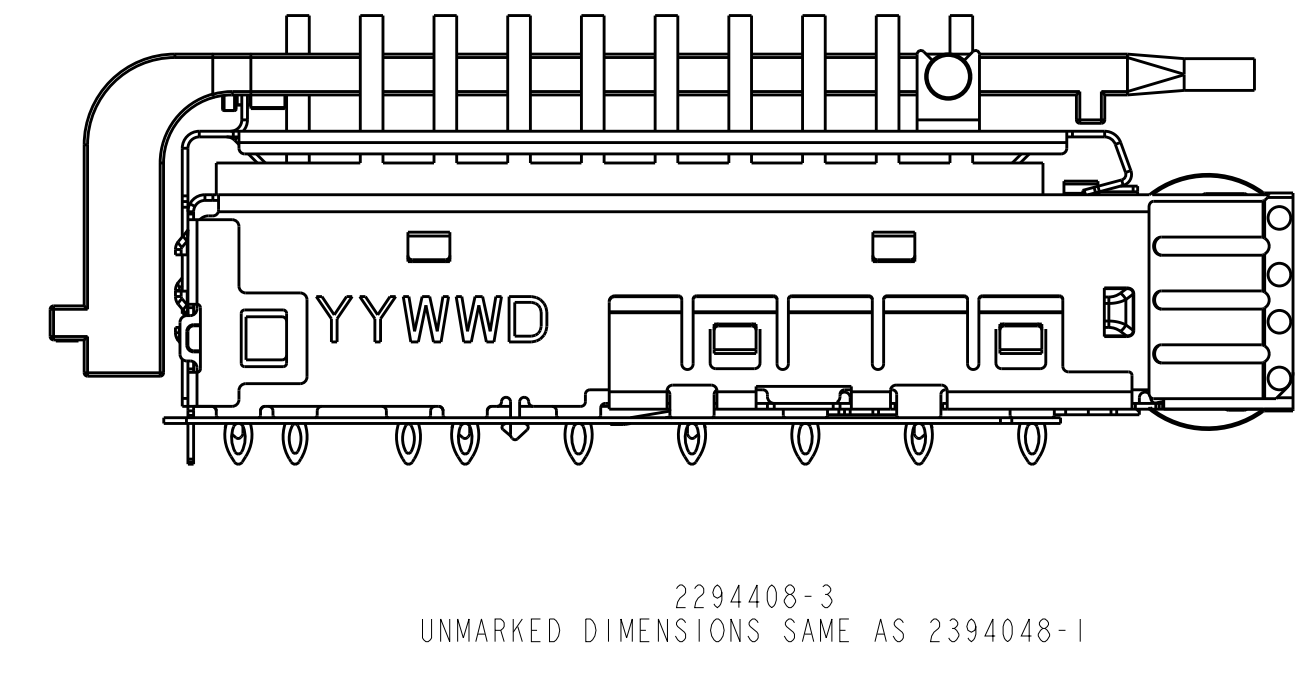
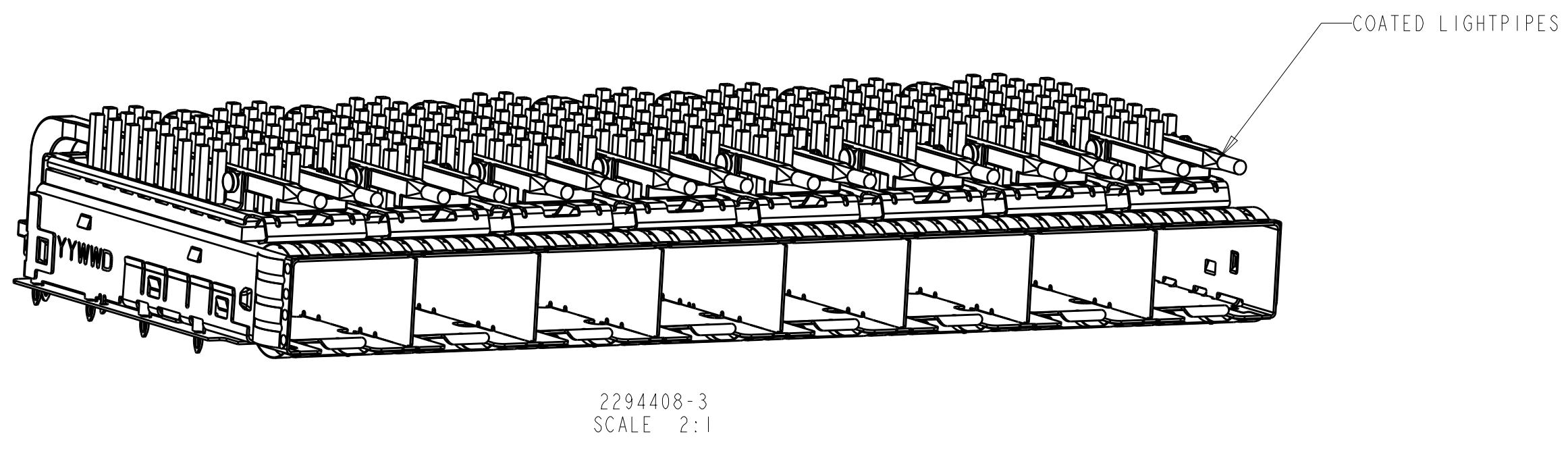


2294408-2
 SCALE 2:1



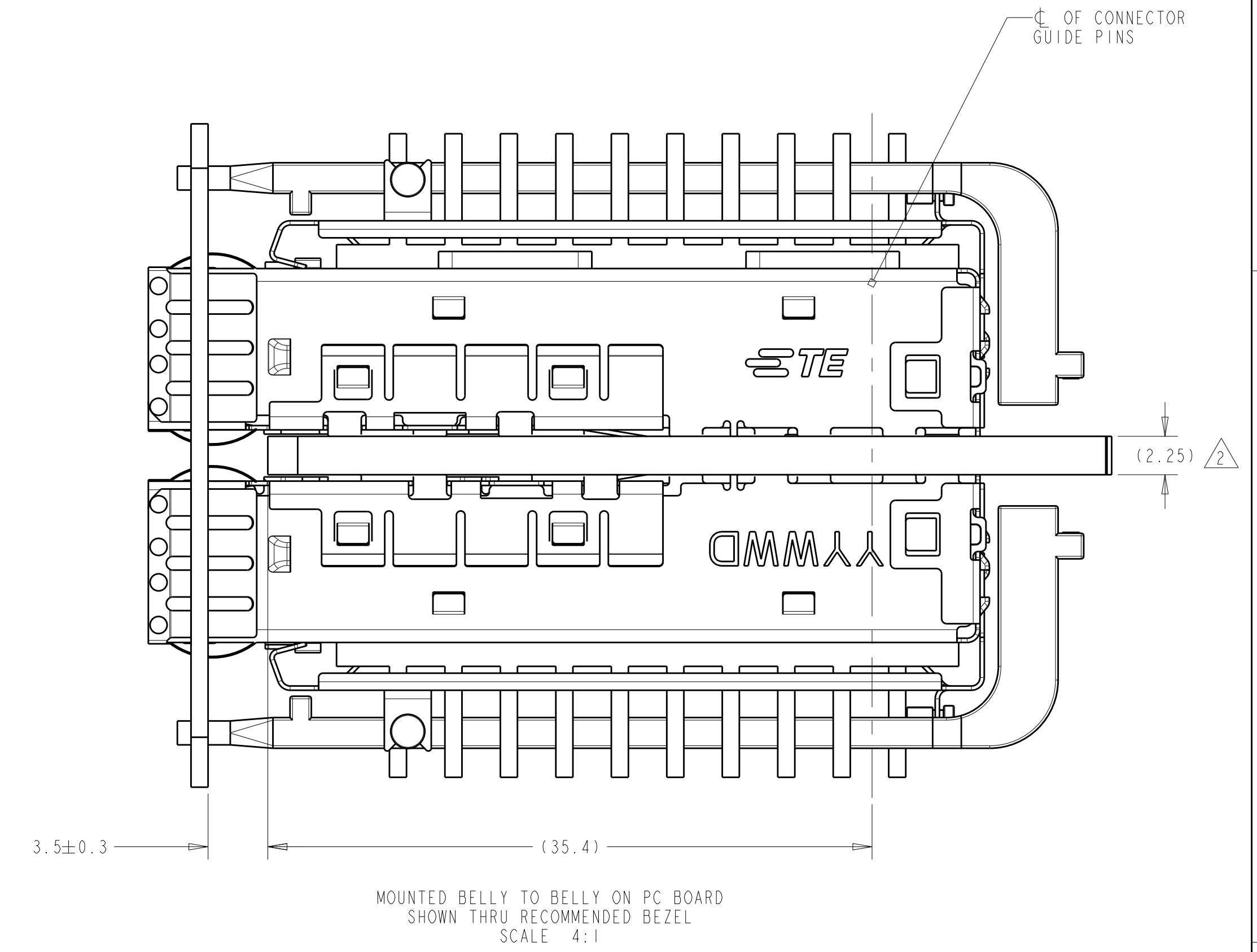
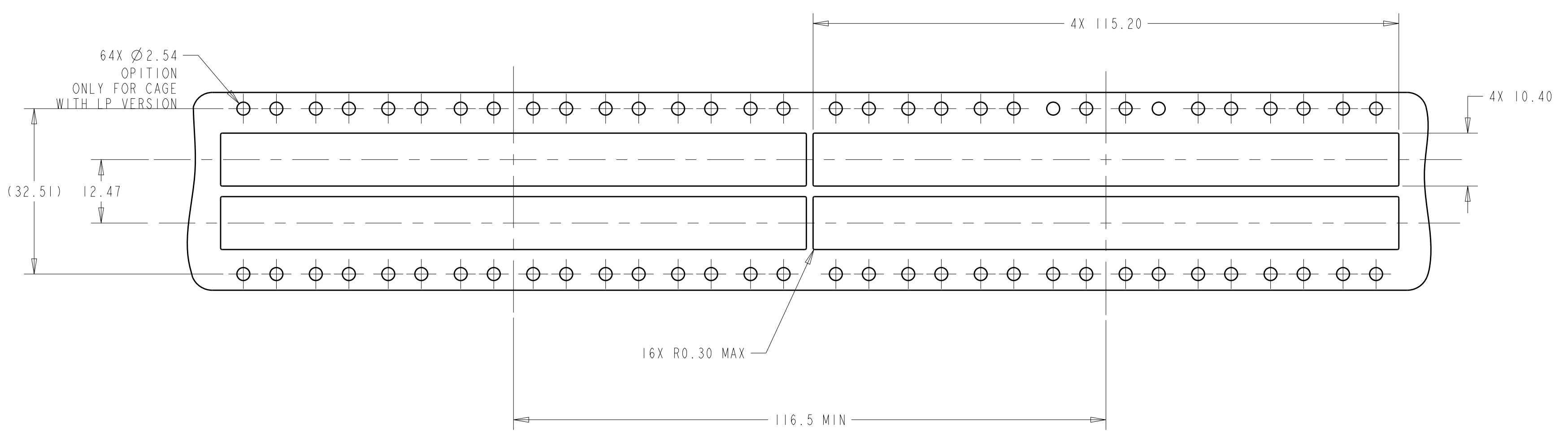
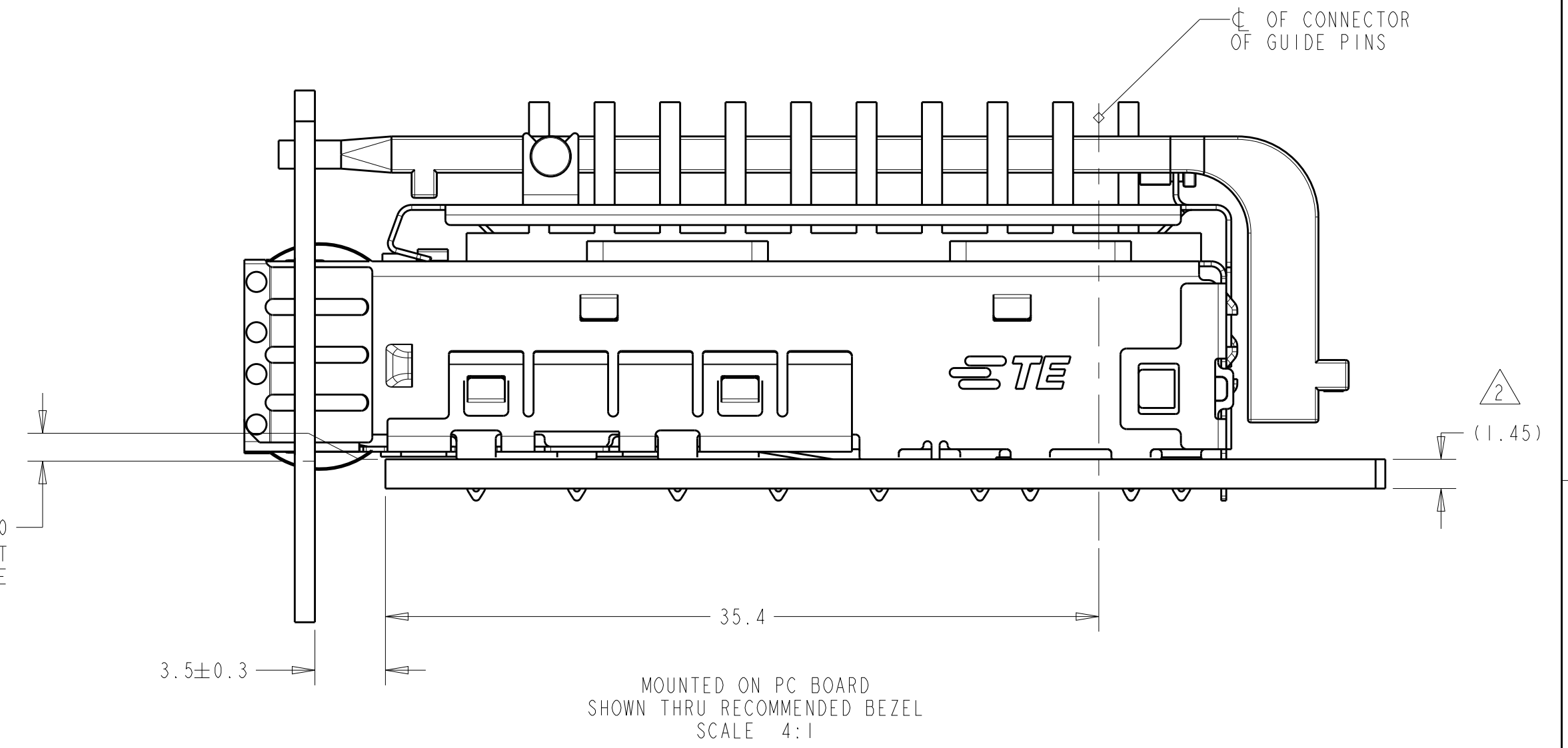
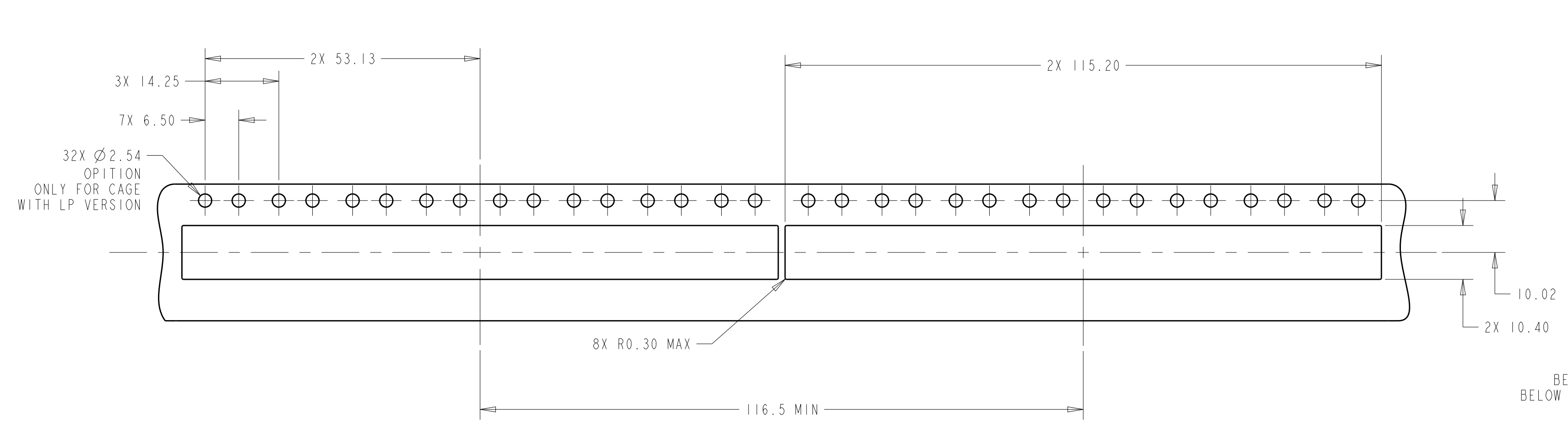
THIS DRAWING IS A CONTROLLED DOCUMENT. DIMENSIONING AND TOLERANCING PER ASME Y14.5M-2009		DMN: 24JUL2015 REV: 24JUL2015 CHK: SEAN HAN APVD: SEAN HAN	TE Connectivity	
DIMENSIONS: mm		NAME: CAGE ASSEMBLY, PRESS-FIT, EMI SPRINGS, 1X8, zSFP+	SIZE: A1	RESTRICTED TO: -
TOLERANCES UNLESS OTHERWISE SPECIFIED: 0 PLC ±0.25 1 PLC ±0.25 2 PLC ±0.25 3 PLC ±0.25 4 PLC ±0.25 ANGLES ±°		PRODUCT SPEC: - APPLICATION SPEC: -	CAGE CODE: 00779	DRAWING NO: 2294408
MATERIAL: SEE NOTES		WEIGHT: -	CUSTOMER DRAWING	
		SCALE: 3:1	SHEET: 2 OF 6	REV: B1

LOC	DIST	REVISIONS					
GP	00	P.	LYR	DESCRIPTION	DATE	DMN	APVD
		-		SEE SHEET 1			



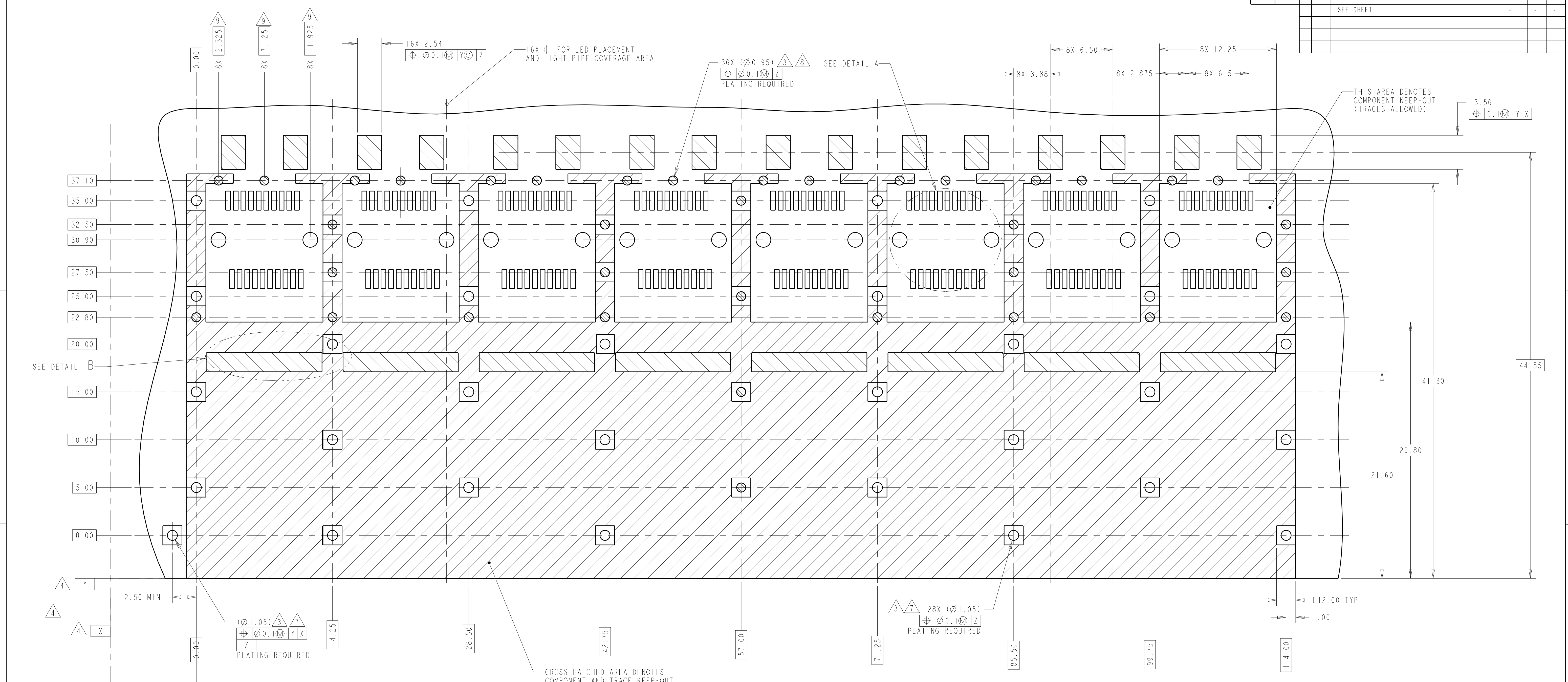
THIS DRAWING IS A CONTROLLED DOCUMENT. DIMENSIONING AND TOLERANCING PER ASME Y14.5M-2009		OWN: REVIN 24JUL2015	TE Connectivity
DIMENSIONS: mm		CHK: SEAN HAN 24JUL2015	
TOLERANCES UNLESS OTHERWISE SPECIFIED:		APVD: SEAN HAN 24JUL2015	NAME: CAGE ASSEMBLY, PRESS-FIT, EMI SPRINGS, 1X8, zSFP+
0 PLC ±0.25 1 PLC ±0.25 2 PLC ±0.25 3 PLC ±0.25 4 PLC ±0.25 ANGLES ±°		PRODUCT SPEC	
MATERIAL: SEE NOTES		APPLICATION SPEC	RESTRICTED TO
FINISH: SEE NOTES		WEIGHT: -	SIZE: A1
CUSTOMER DRAWING		CAGE CODE: 00779	DRAWING NO: 2294408
SCALE: 3:1		SHEET: 3	OF: 6
		REV: B	

LOC		DIST		REVISIONS			
GP	00	P	LTN	DESCRIPTION	DATE	OWN	APVD
-	-	-	-	SEE SHEET 1	-	-	-

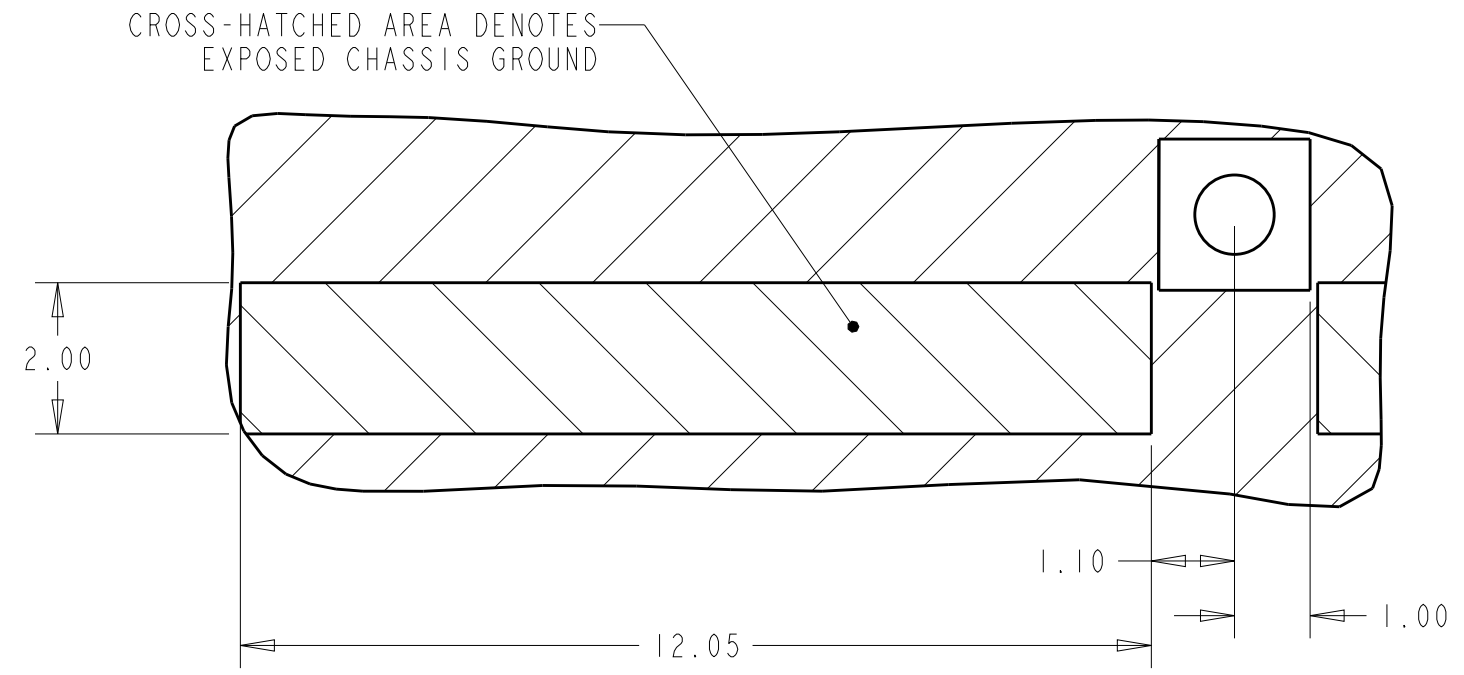


THIS DRAWING IS A CONTROLLED DOCUMENT. DIMENSIONING AND TOLERANCING PER ASME Y14.5M-2009		OWN: REVIN 24JUL2015	TE Connectivity
DIMENSIONS: mm		CHK: SEAN HAN 24JUL2015	
TOLERANCES UNLESS OTHERWISE SPECIFIED: 0 PLC ±0.25 1 PLC ±0.25 2 PLC ±0.25 3 PLC ±0.25 4 PLC ± ANGLES ±°		APVD: SEAN HAN 24JUL2015	NAME: CAGE ASSEMBLY, PRESS-FIT, EMI SPRINGS, 1X8, zSFP+
MATERIAL: SEE NOTES		FINISH: SEE NOTES	RESTRICTED TO: -
CUSTOMER DRAWING		SIZE: A1	SCALE: 4:1
		WEIGHT: -	SHEET 4 OF 6
		CAGE CODE: 00779	REV: B1
		DRAWING NO: 2294408	

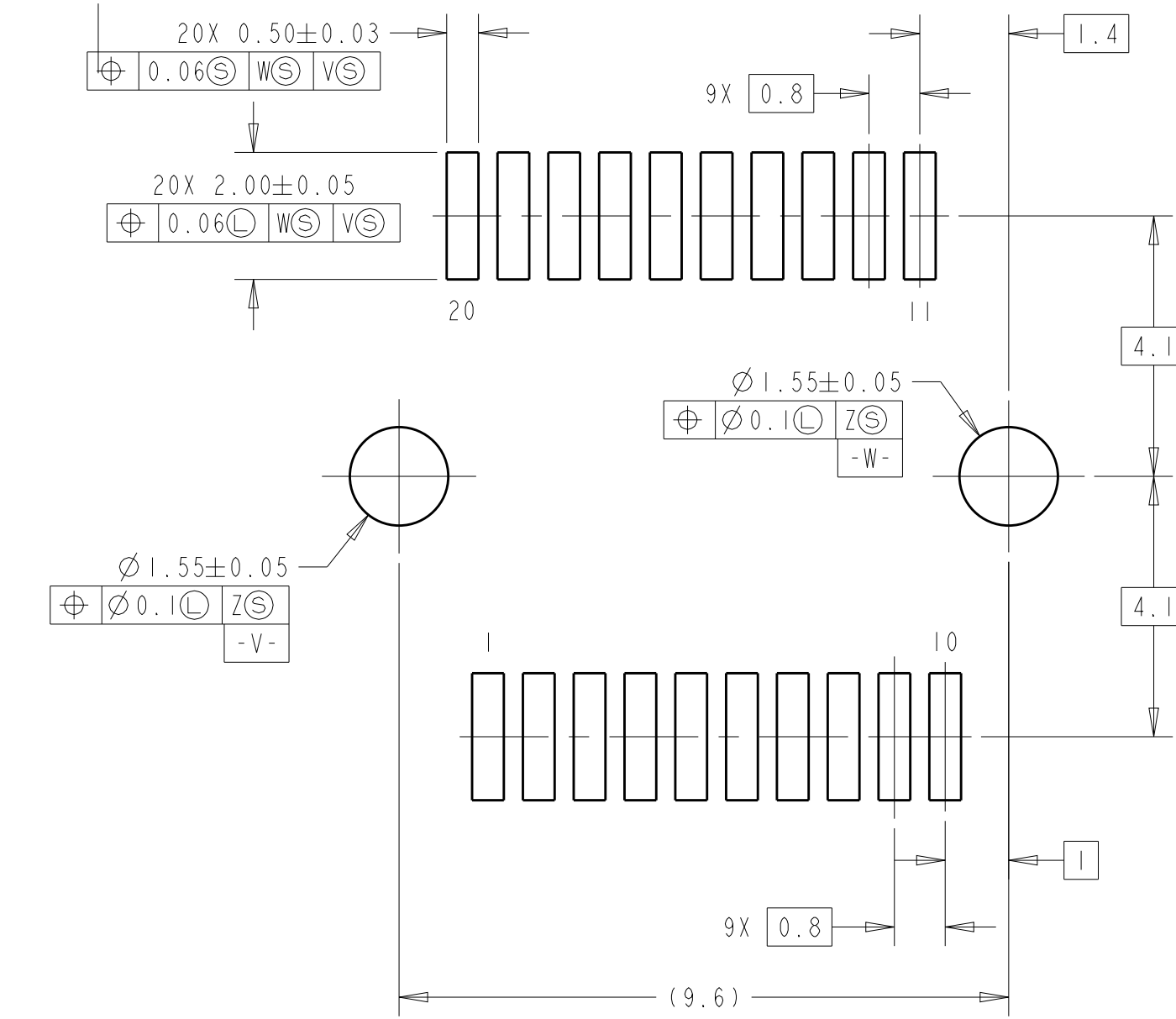
LOC	DIST	REV	DATE	APP'D	REVISIONS
GP	00				SEE SHEET 1



RECOMMENDED PCB CONFIGURATION
 WITH KEEP-OUT AREAS FOR SINGLE SIDED APPLICATION
 SCALE 5:1



DETAIL B
 6X INDIVIDUALLY
 SCALE 10:1

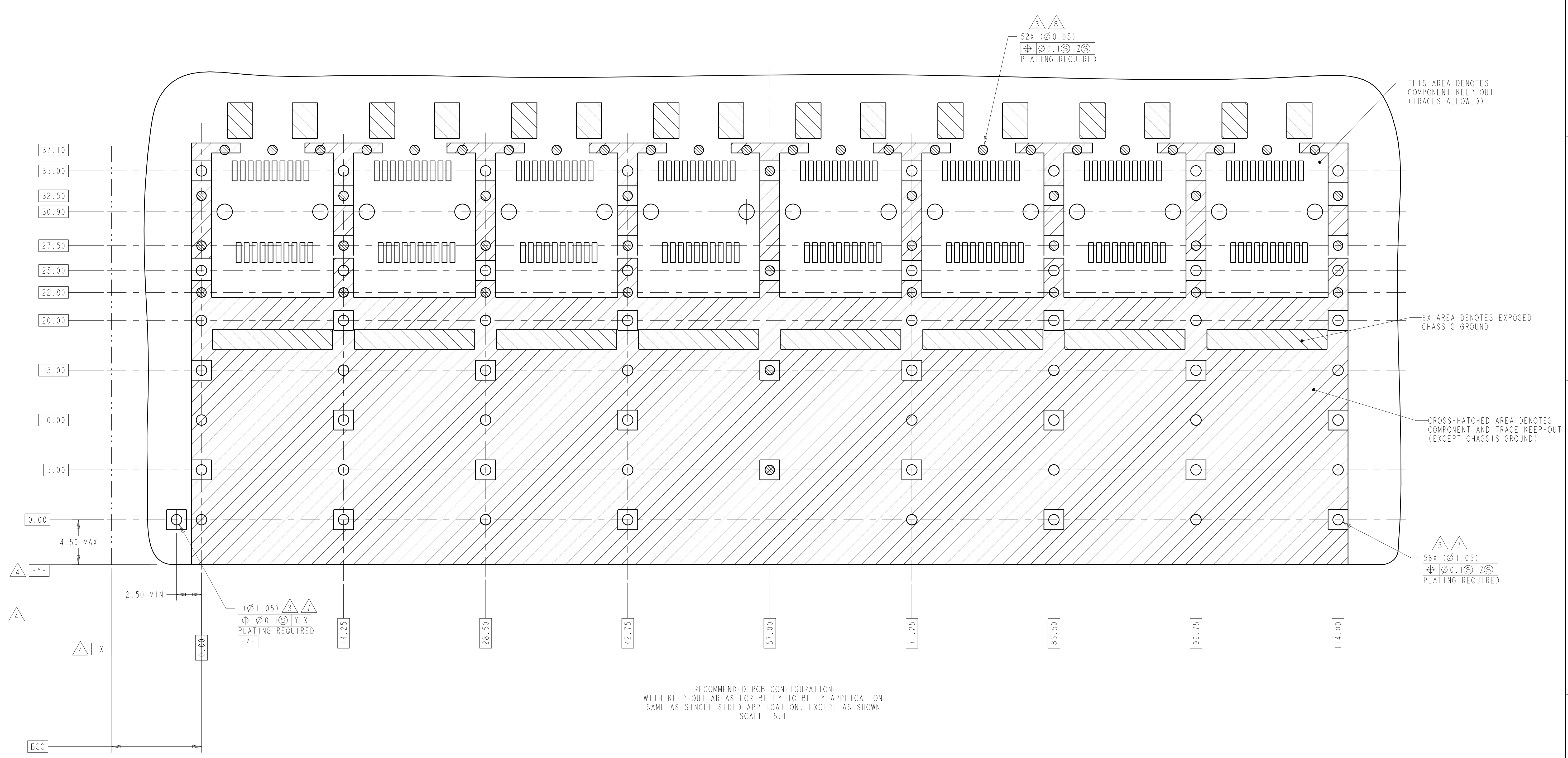


DETAIL A
 6X INDIVIDUALLY
 SCALE 10:1

THIS DRAWING IS A CONTROLLED DOCUMENT. DIMENSIONING AND TOLERANCING PER ASME Y14.5M-2009. TOLERANCES UNLESS OTHERWISE SPECIFIED:		OWN: REVIN 24JUL2015	TE Connectivity NAME: CAGE ASSEMBLY, PRESS-FIT, EMI SPRINGS, 1X8, zSFP+ SIZE: A1 CAGE CODE: 00779 DRAWING NO: 2294408
DIMENSIONS: mm		CHK: SEAN HAN 24JUL2015	
0 PLC ±0.1 1 PLC ±0.1 2 PLC ±0.08 3 PLC ±0.05 4 PLC ±0.05 ANGLES ±°		APP'D: SEAN HAN 24JUL2015	RESTRICTED TO
MATERIAL: SEE NOTES		FINISH: SEE NOTES	SCALE: 4:1 SHEET 5 OF 6 REV: B1

LOC	DIST	REV	DATE	BY	APPD
GP	00				

REVISIONS					
NO.	DESCRIPTION	DATE	BY	APPD	
-	SEE SHEET 1	-	-	-	-



RECOMMENDED PCB CONFIGURATION
 WITH KEEP-OUT AREAS FOR BELLY TO BELLY APPLICATION
 SAME AS SINGLE SIDED APPLICATION, EXCEPT AS SHOWN
 SCALE 5:1

THIS DRAWING IS A CONTROLLED DOCUMENT. DIMENSIONING AND TOLERANCING PER: ASME Y14.5M-2009		OWN: REVIN 24JUL2015	 TE Connectivity
DIMENSIONS: mm		CHK: SEAN HAN 24JUL2015	
TOLERANCES UNLESS OTHERWISE SPECIFIED:		APPD: SEAN HAN 24JUL2015	NAME: CAGE ASSEMBLY, PRESS-FIT, EMI SPRINGS, 1X8, zSFP+
0 PLC ±0.1 1 PLC ±0.1 2 PLC ±0.08 3 PLC ±0.05 4 PLC ± ANGLES ±1°		PRODUCT SPEC: -	
MATERIAL: SEE NOTES		APPLICATION SPEC: -	SIZE: A1
FINISH: SEE NOTES		WEIGHT: -	CAGE CODE: 00779
		CUSTOMER DRAWING	DRAWING NO: C=2294408
		SCALE: 4:1	SHEET 6 OF 6
			REV: B

单击下面可查看定价，库存，交付和生命周期等信息

[>>TE Connectivity\(泰科\)](#)