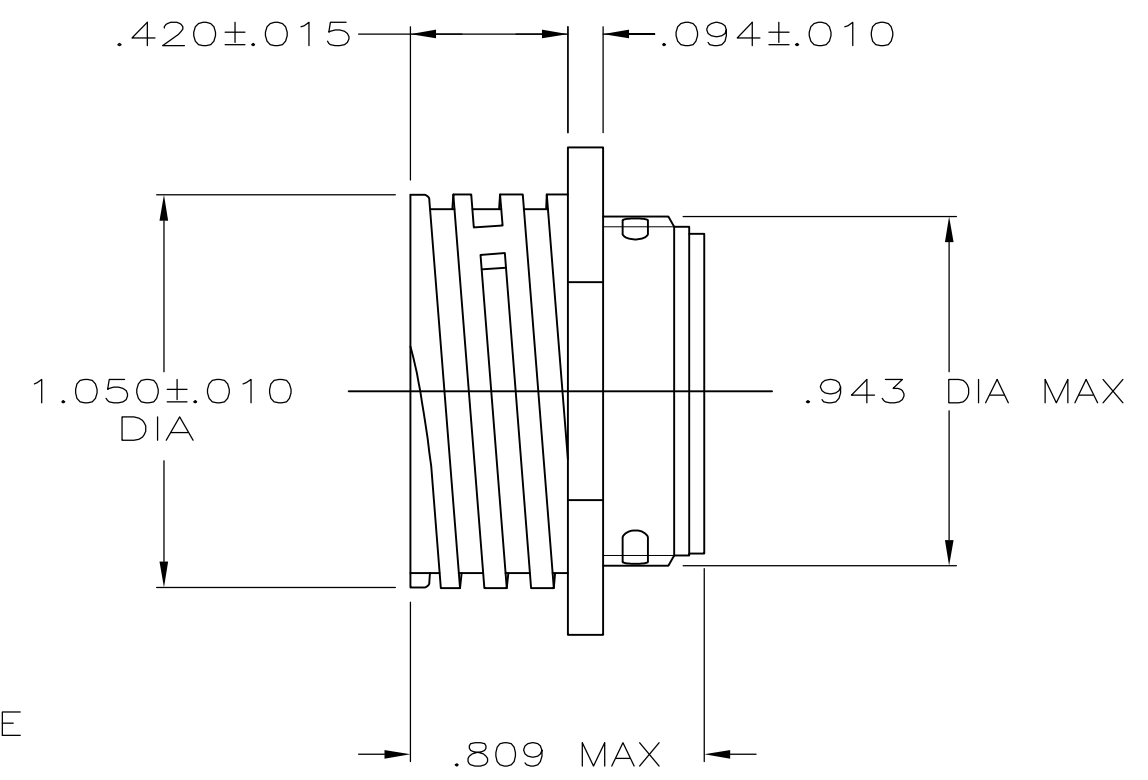
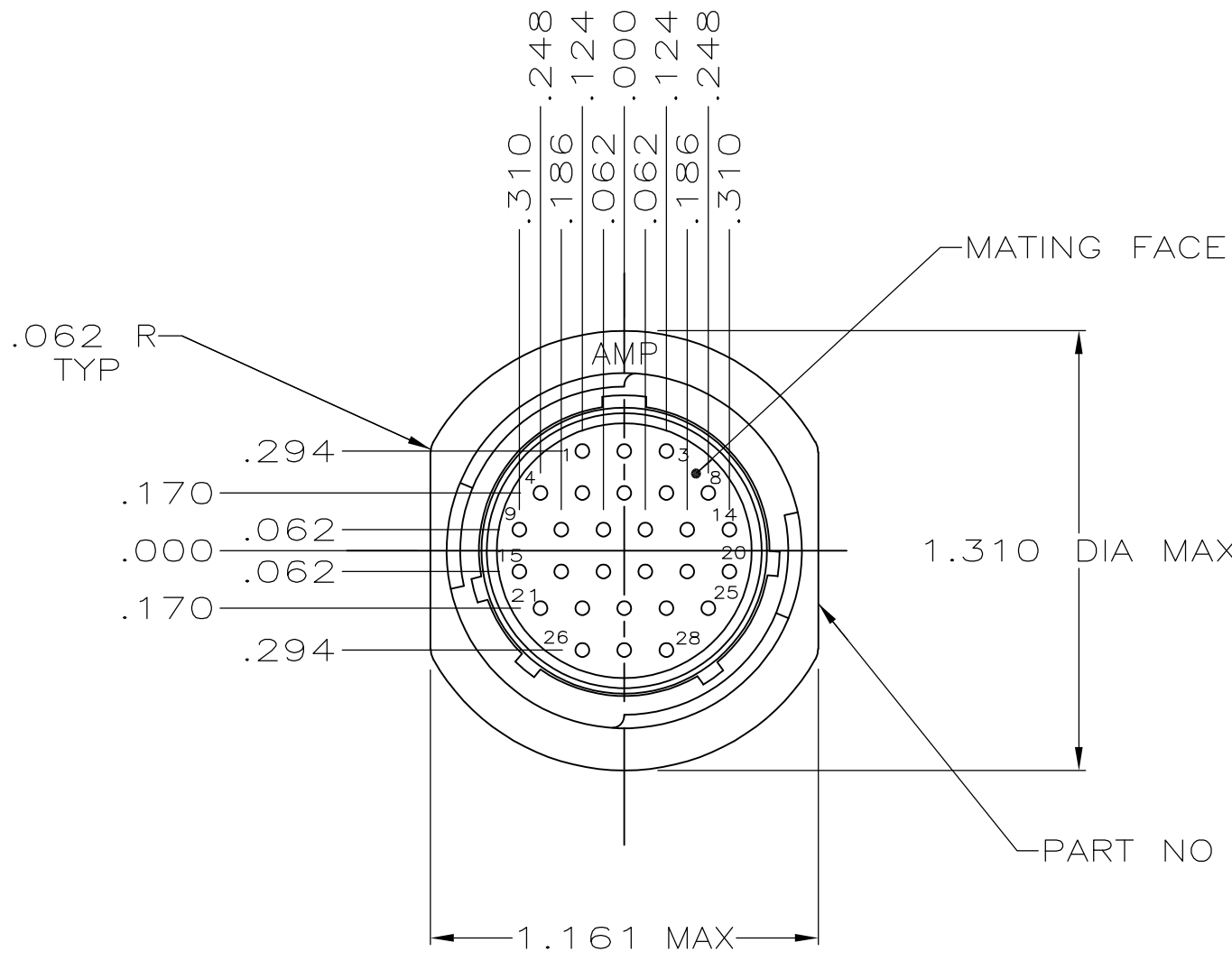


THIS DRAWING IS UNPUBLISHED. RELEASED FOR PUBLICATION
 © COPYRIGHT - By - ALL RIGHTS RESERVED.

MOD	LOC	DIST	REVISIONS					
23	BD	35	P	LTR	DESCRIPTION	DATE	DWN	APVD
				E1	REVISED PER ECO-11-005027	12MAR11	RK	HMR



- CONTACT CAVITIES IDENTIFIED BY CHARACTERS ON FRONT AND REAR FACES OF CONNECTOR.
- WILL ACCEPT (28) SIZE 20 PIN CONTACTS.

206152-1
 PART NUMBER

THIS DRAWING IS A CONTROLLED DOCUMENT.		DWN	A.STAUB BG	4/1/91	 TE Connectivity RECEPTACLE ASSEMBLY, STD SEX, SERIES 2, 17-28, CPC
DIMENSIONS: INCHES		CHK	W.G.LENKER	7-24-92	
		APVD	K.BEAVER	7-24-92	
TOLERANCES UNLESS OTHERWISE SPECIFIED:		PRODUCT SPEC		108-10024	
MATERIAL: THERMOPLASTIC, BLACK		FINISH: -		APPLICATION SPEC: -	NAME: -
		WEIGHT: -		SIZE: A3	CAGE CODE: 00779
		CUSTOMER DRAWING		DRAWING NO: C-206152	RESTRICTED TO: -
		SCALE: 2:1		SHEET: 1 OF 1	REV: E1

单击下面可查看定价，库存，交付和生命周期等信息

[>>TE Connectivity\(泰科\)](#)