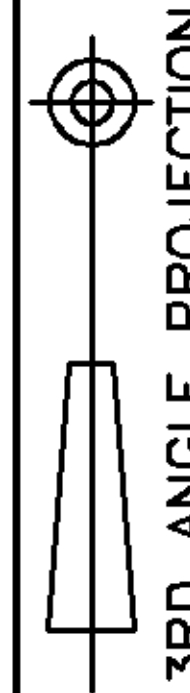


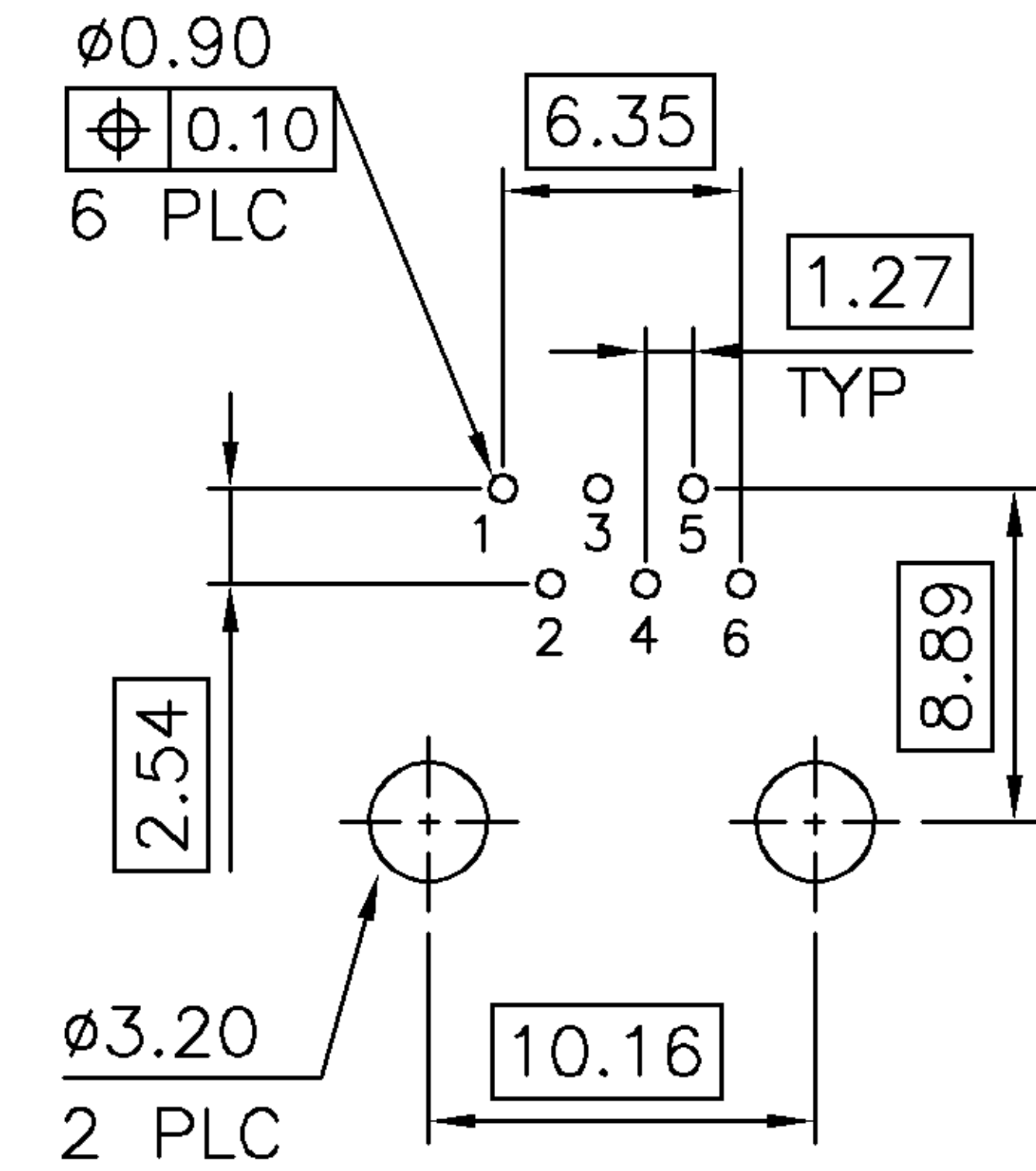
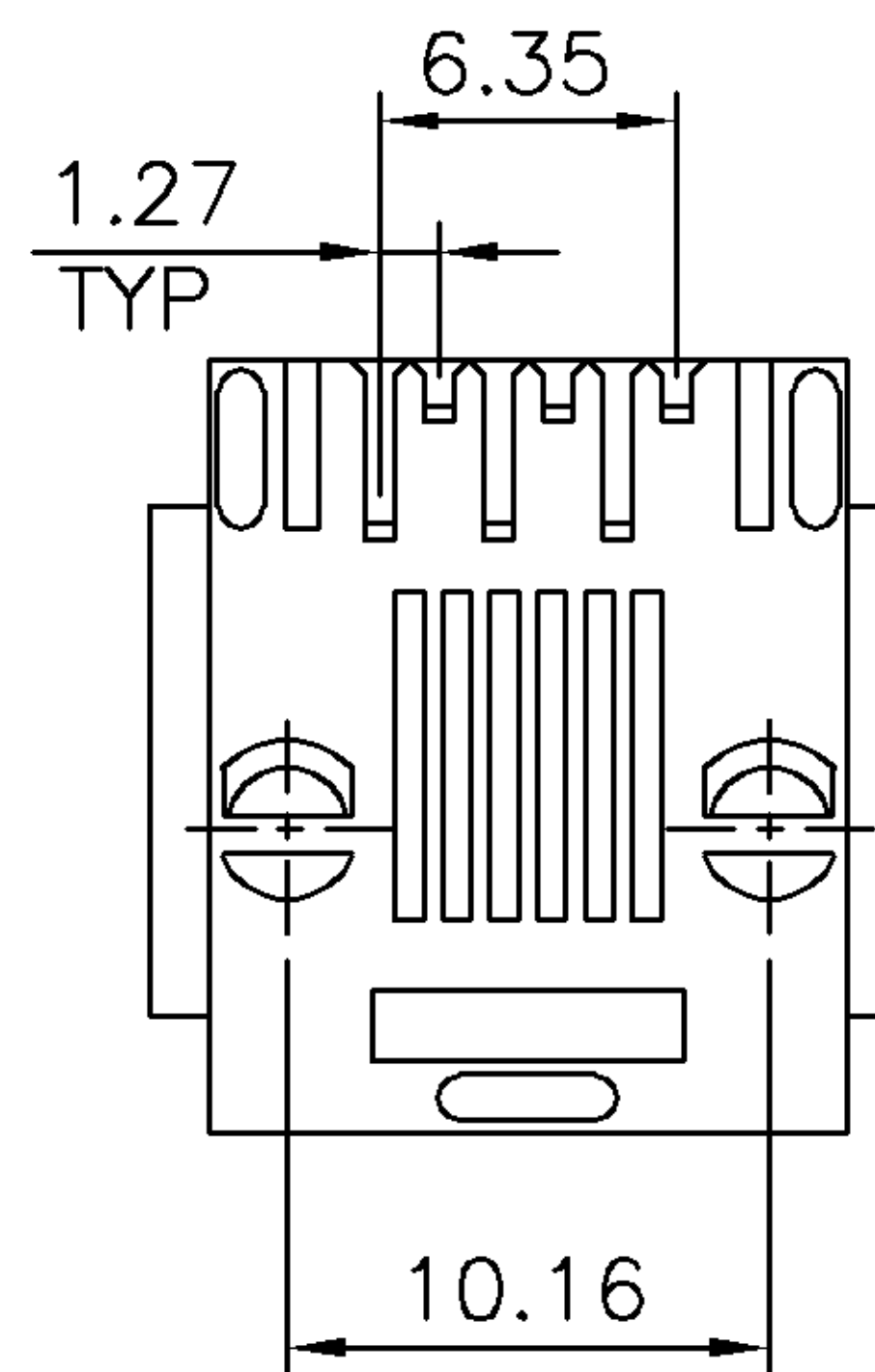
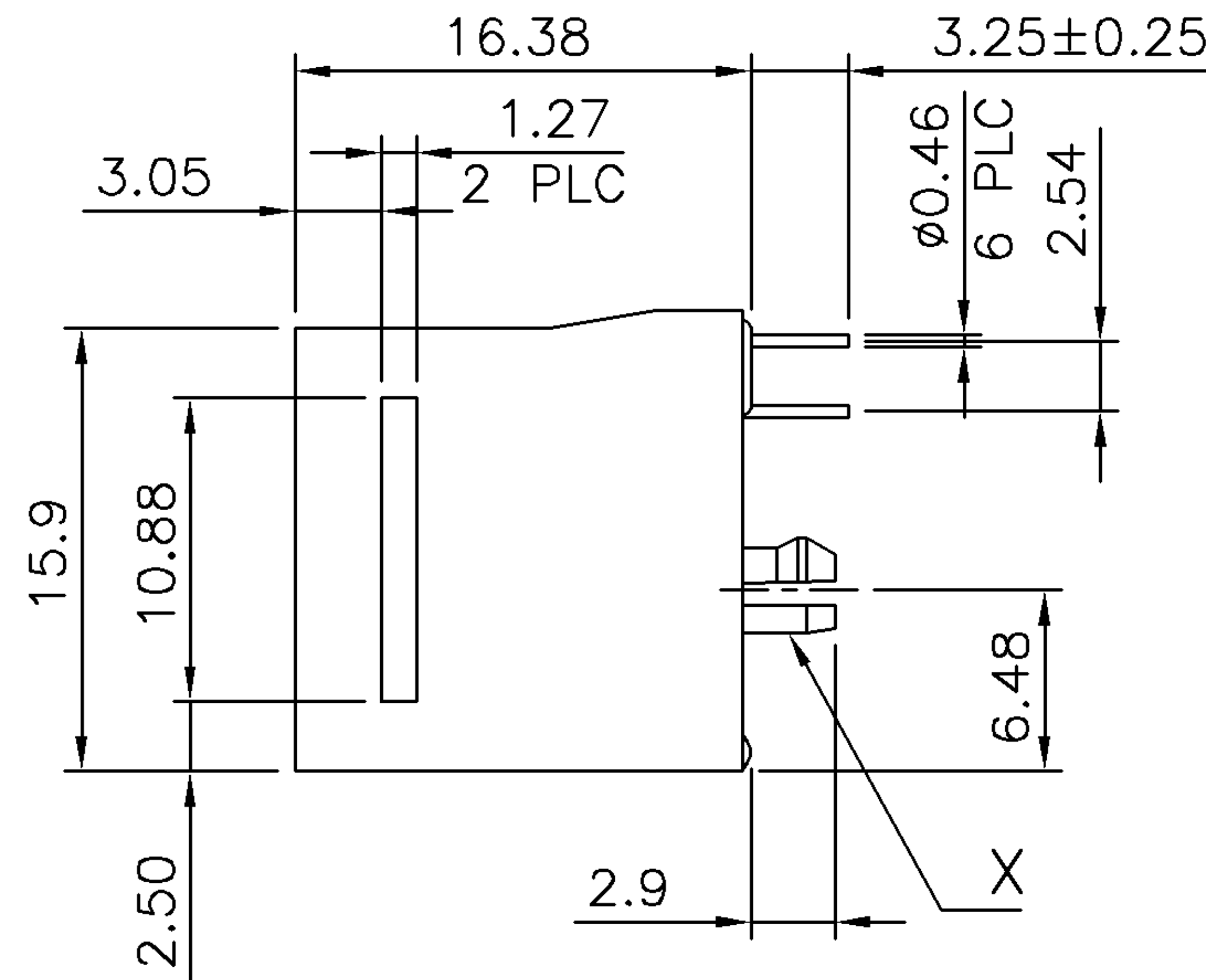
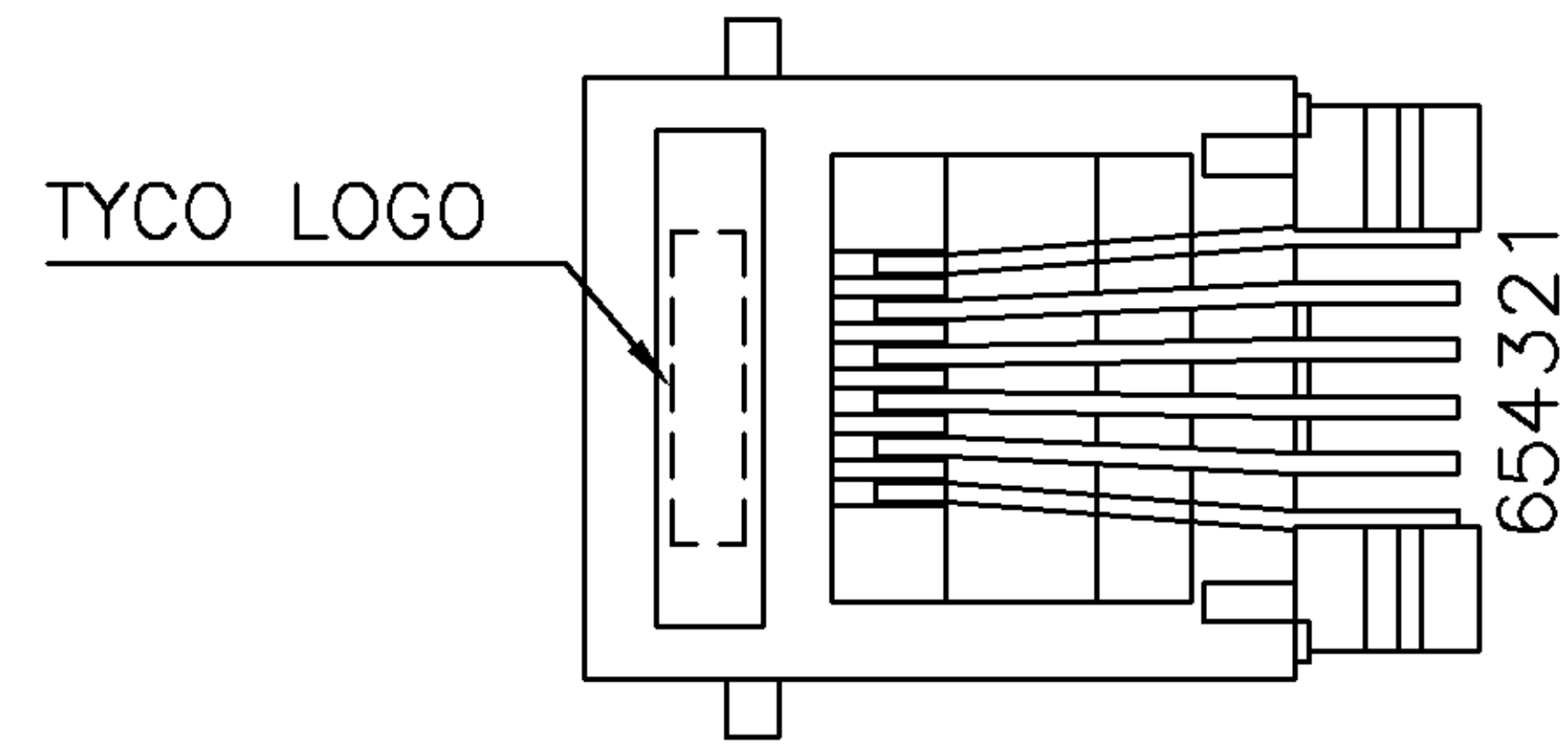
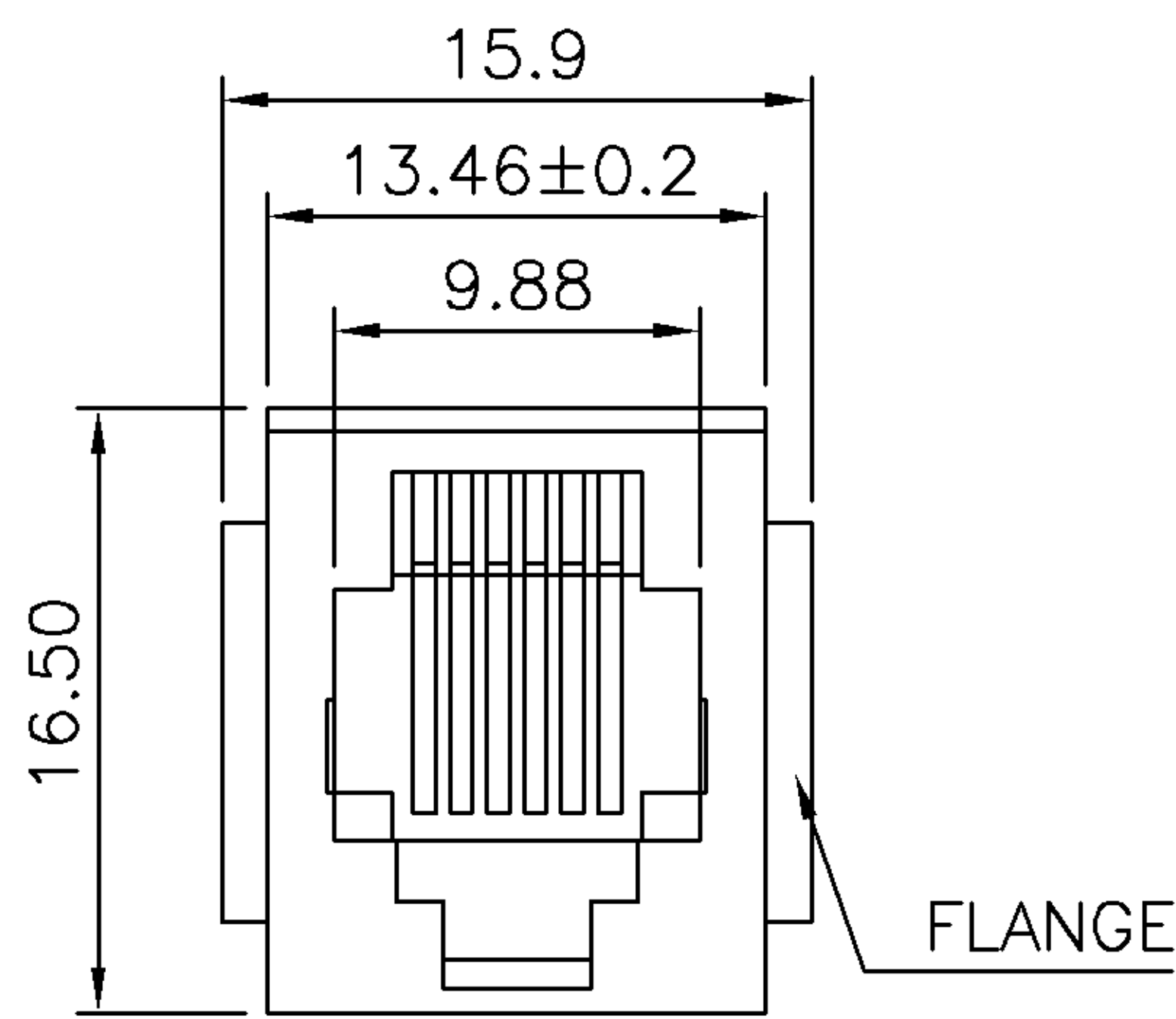
NUMBER  
C-1775380



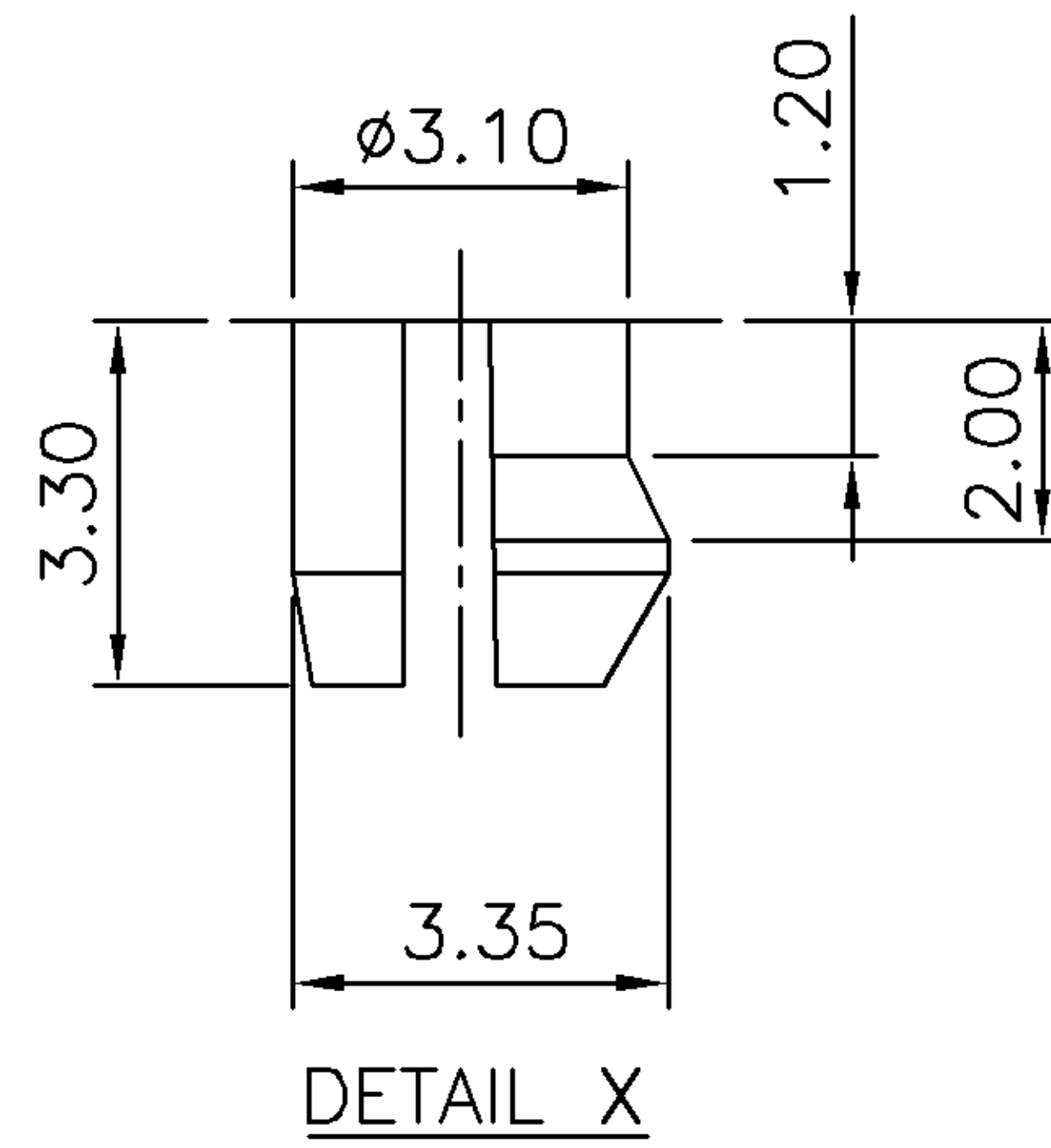
METRIC

THIS INFORMATION IS CONFIDENTIAL AND IS DISCLOSED TO YOU ON CONDITION THAT NO FURTHER DISCLOSURE IS MADE BY YOU TO OTHER THAN AMP PERSONNEL WITHOUT WRITTEN AUTHORIZATION FROM AMP (TAIWAN) LTD. DIMENSIONS IN MILLIMETERS. DO NOT SCALE PRINT.

PRINT  
DW



RECOMMENDED PCB LAYOUT (THICKNESS: 1.6mm)  
DIMENSION TOLERANCE: (1 PLC:±0.1, 2 PLC:±0.05)



NOTE:

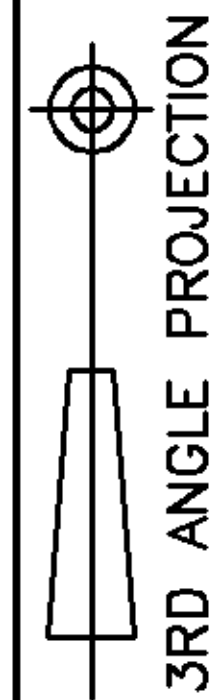
- MATERIAL:  
HOUSING: THERMOPLASTIC, UL94V-0, COLOR: BLACK.  
CONTACT: PHOSPHOR BRONZE, DIAMETER: 0.46mm.
- FINISH:  
CONTACT: GOLD PLATED (SEE TABLE) OVER 50u" MIN.  
NICKEL UNDER PLATED ALL OVER.
- WAVE SOLDER CAPABLE TO 260°C PER TYCO SPEC 109-202, CONDITION C.

6P2C	50μ"	2-1775380-4
	30μ"	2-1775380-3
	15μ"	2-1775380-2
	6μ"	2-1775380-1
6P4C	50μ"	1-1775380-4
	30μ"	1-1775380-3
	15μ"	1-1775380-2
	6μ"	1-1775380-1
6P6C	50μ"	1775380-4
	30μ"	1775380-3
	15μ"	1775380-2
	6μ"	1775380-1
POS/ CONT.	MIN. GOLD THICKNESS	PART NUMBER

TOLERANCES UNLESS OTHERWISE SPECIFIED: 0 PLC ±0.50 1 PLC ±0.30 2 PLC ±0.20 3 PLC ±0.10 ANGLES ±3'		DWN O. HU 04-MAY-2006	tyco TYCO HOLDINGS (BERMUDA) VII LTD. TAIWAN BRANCH	
MATERIAL SEE NOTE		CHK S. HOU 04-MAY-2006	NAME MODULAR JACK, SINGLE, DIP, TOP ENTRY	
FINISH SEE NOTE		APVD W.J. KE 04-MAY-2006	LOC DW A <sub>3</sub>	SIZE C-1775380
QUALIFICATION TEST REPORT 501-57718		PRODUCT SPEC 108-57535	DRAWING NO C-1775380	REV A
WEIGHT 3.0g		SCALE --	SHEET 1 OF 2	

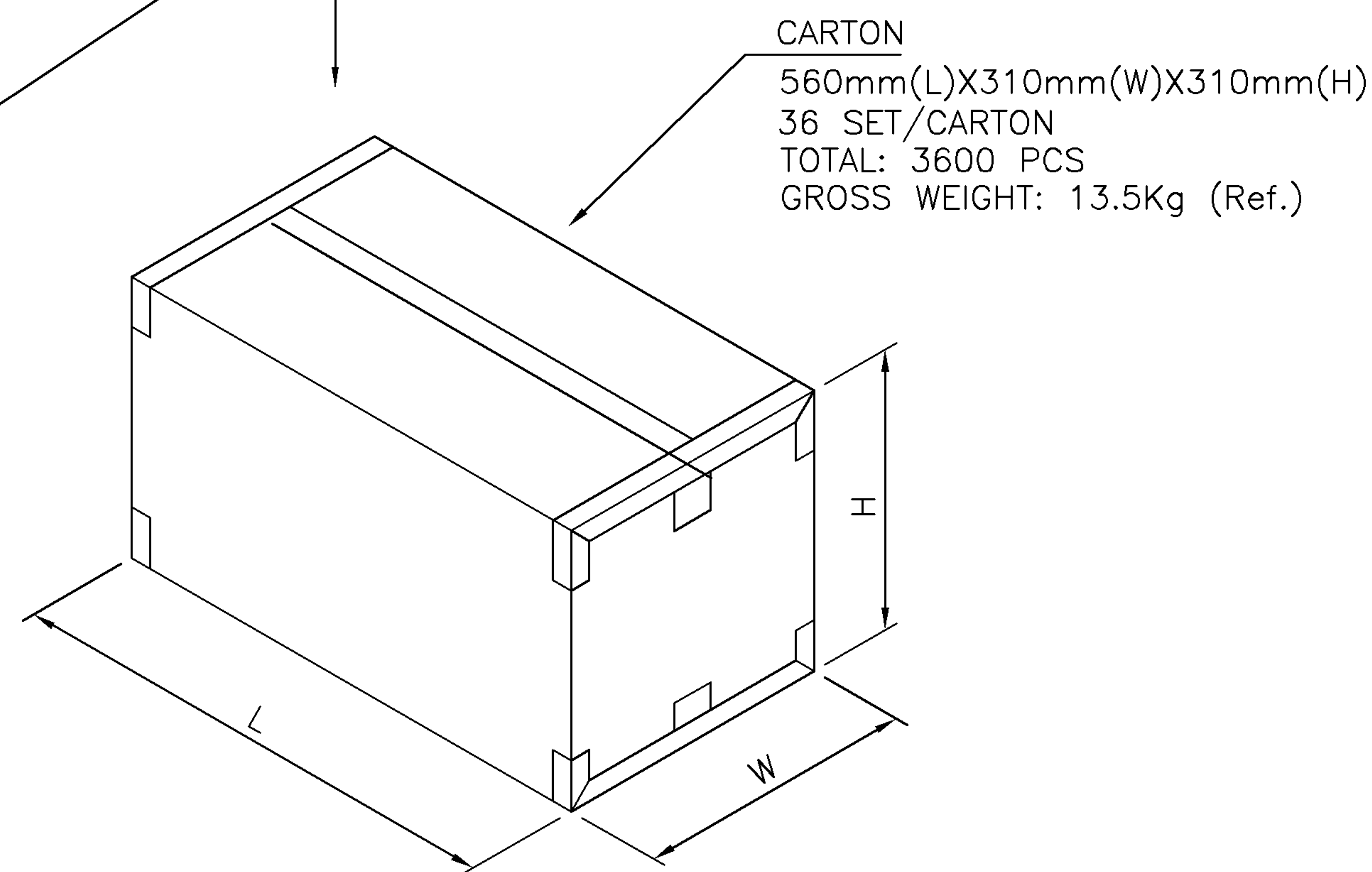
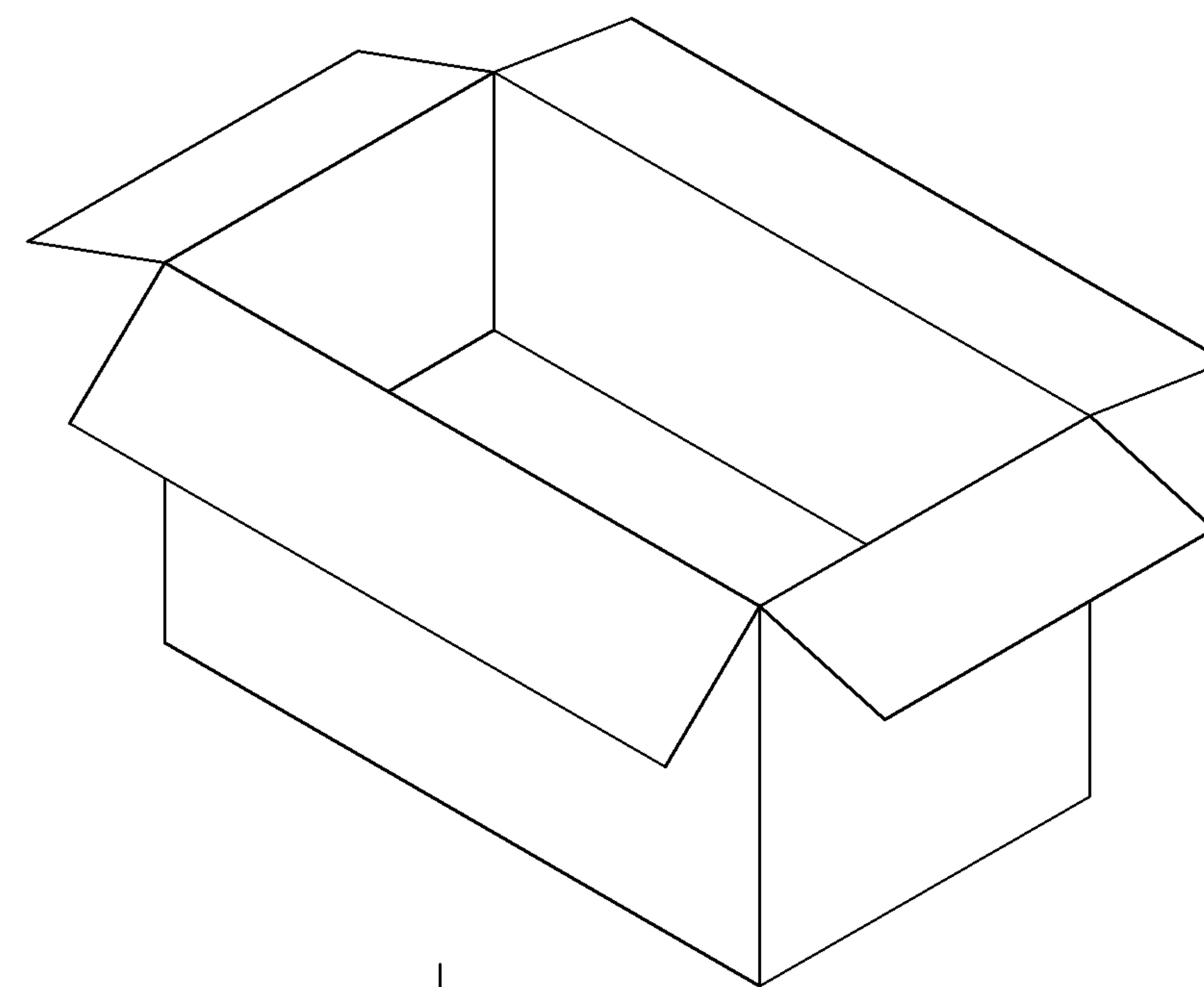
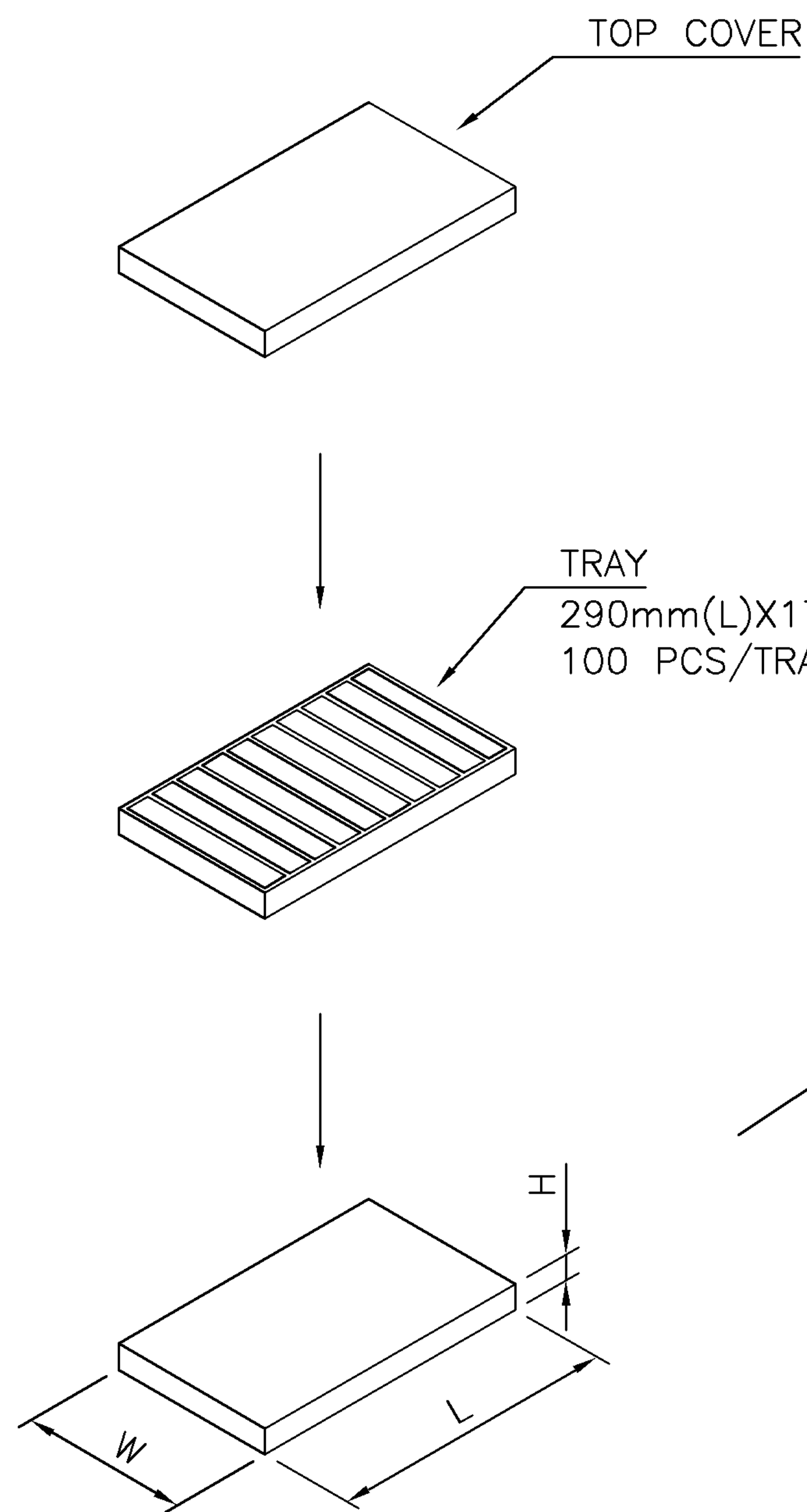
A	FIRST RELEASED	OH SH 05MAY 2006
LTR	REVISION RECORD	ECN DWN CHK DATE

NUMBER  
C-1775380



METRIC

THIS INFORMATION IS CONFIDENTIAL AND IS DISCLOSED TO YOU ON CONDITION THAT NO FURTHER DISCLOSURE IS MADE BY YOU TO OTHER THAN AMP PERSONNEL WITHOUT WRITTEN AUTHORIZATION FROM AMP (TAIWAN) LTD. DIMENSIONS IN MILLIMETERS. DO NOT SCALE PRINT.



PRINT DIST  
DW

SEE SHEET 1.	ECN	DWN	CHK	DATE
LTR	REVISION RECORD			

TOLERANCES UNLESS OTHERWISE SPECIFIED: 0 PLC ± 1 PLC ± 2 PLC ± 3 PLC ± ANGLES ±	DWN	O. HU	TYCO HOLDINGS (BERMUDA) VII LTD. TAIWAN BRANCH			
		04-MAY-2006				
MATERIAL  SEE NOTE	CHK	S. HOU	NAME  MODULAR JACK, SINGLE, DIP, TOP ENTRY			
		04-MAY-2006				
FINISH  SEE NOTE	APVD	W.J. KE	LOC	SIZE	DRAWING NO	REV
		04-MAY-2006	DW	A <sub>3</sub>	C-1775380	A
	PRODUCT SPEC	-	SCALE	SHEET		
	APPLICATION SPEC	-	--	2 OF 2		
	WEIGHT	-				

单击下面可查看定价，库存，交付和生命周期等信息

[>>TE Connectivity\(泰科\)](#)